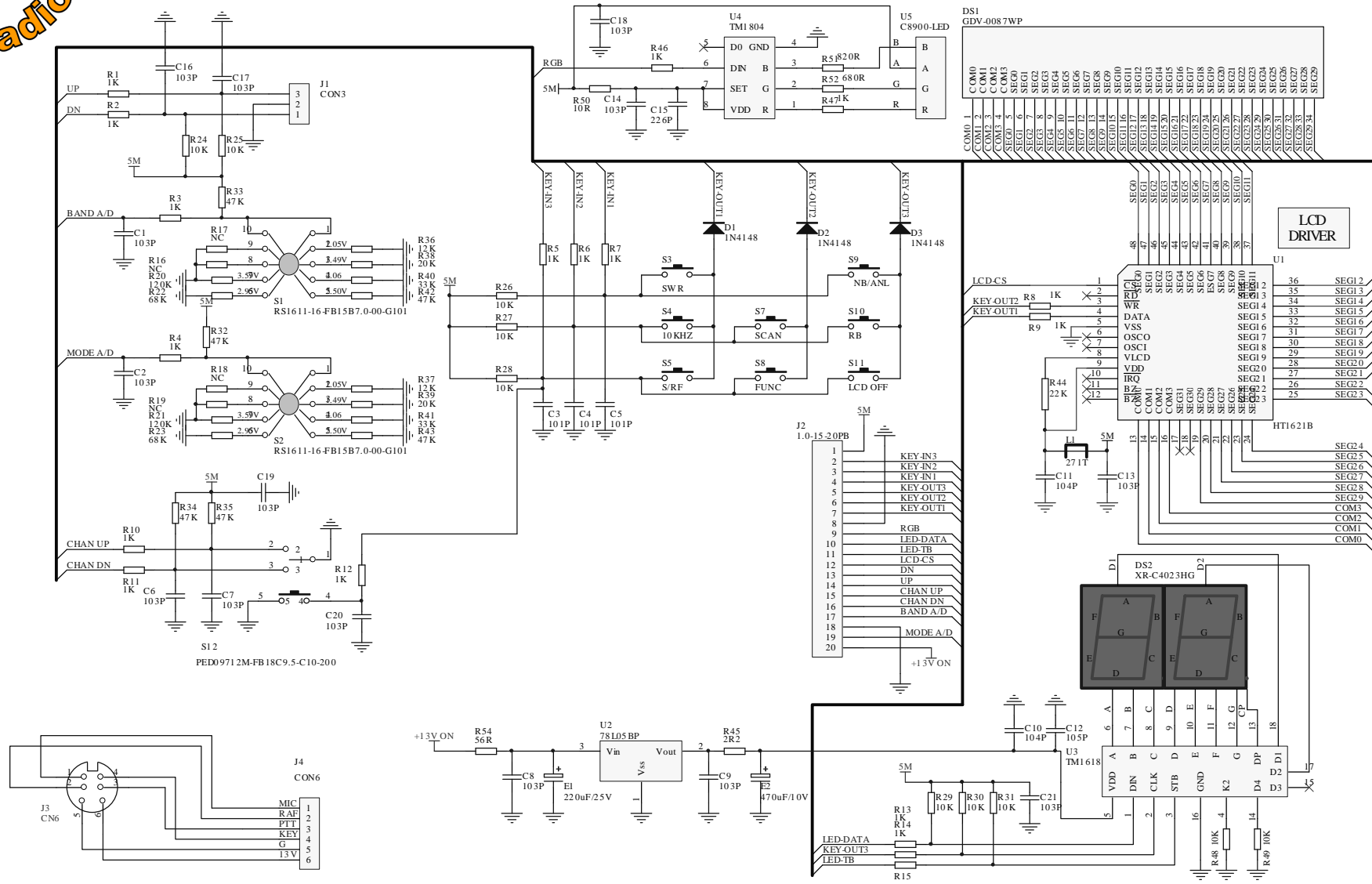
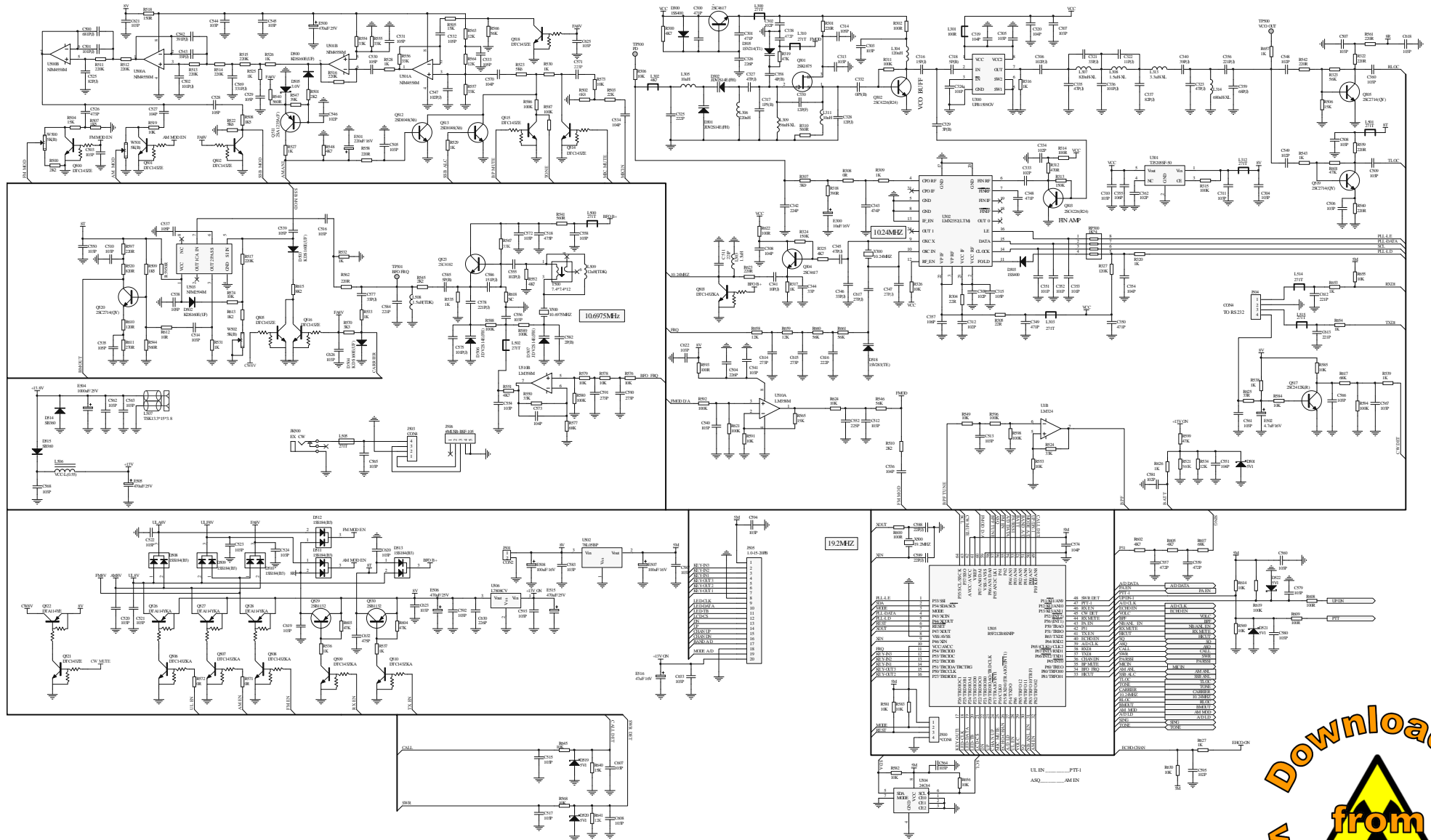




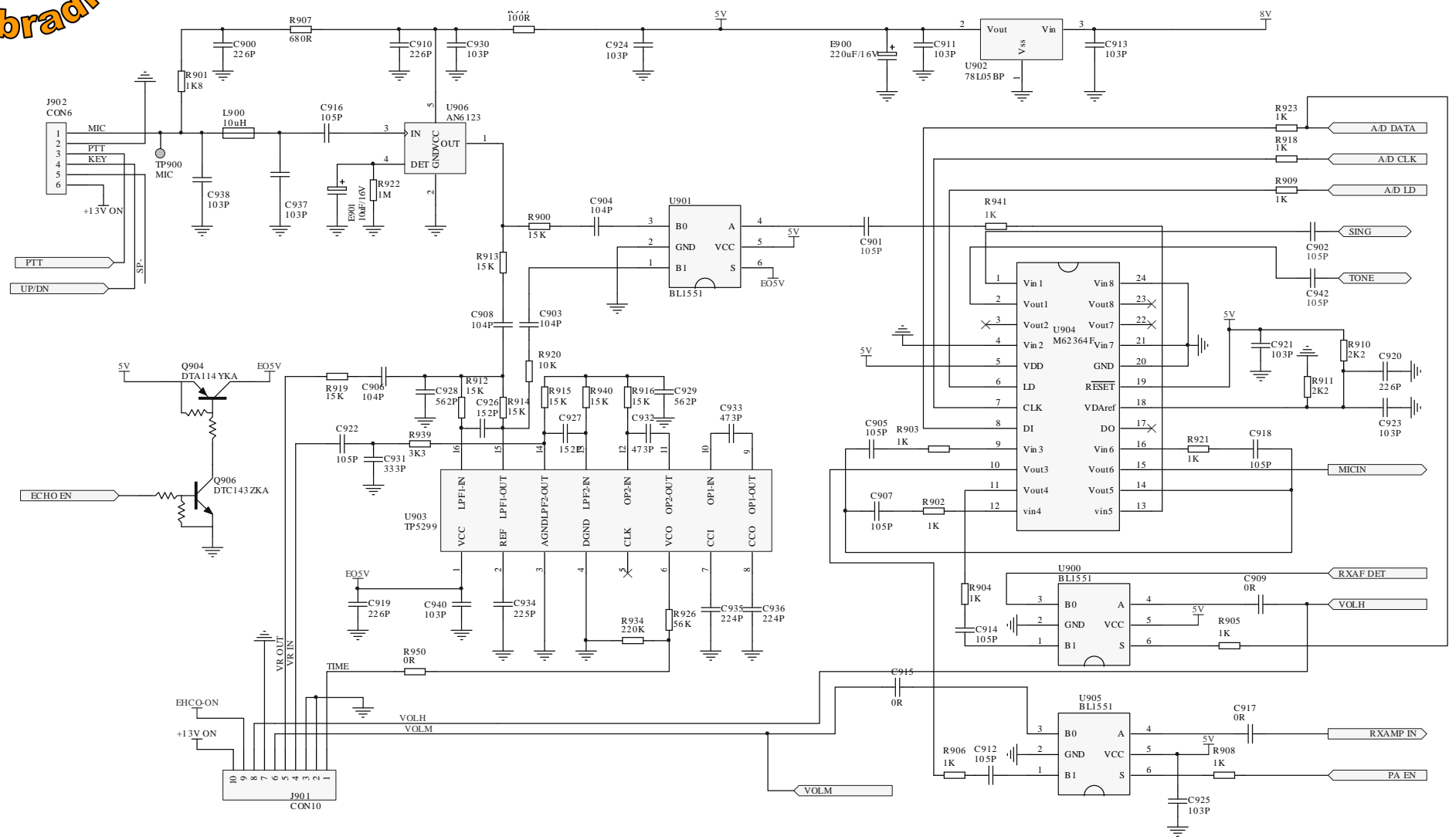
# SCHEMATIC DIAGRAM



# SCHEMATIC DIAGRAM

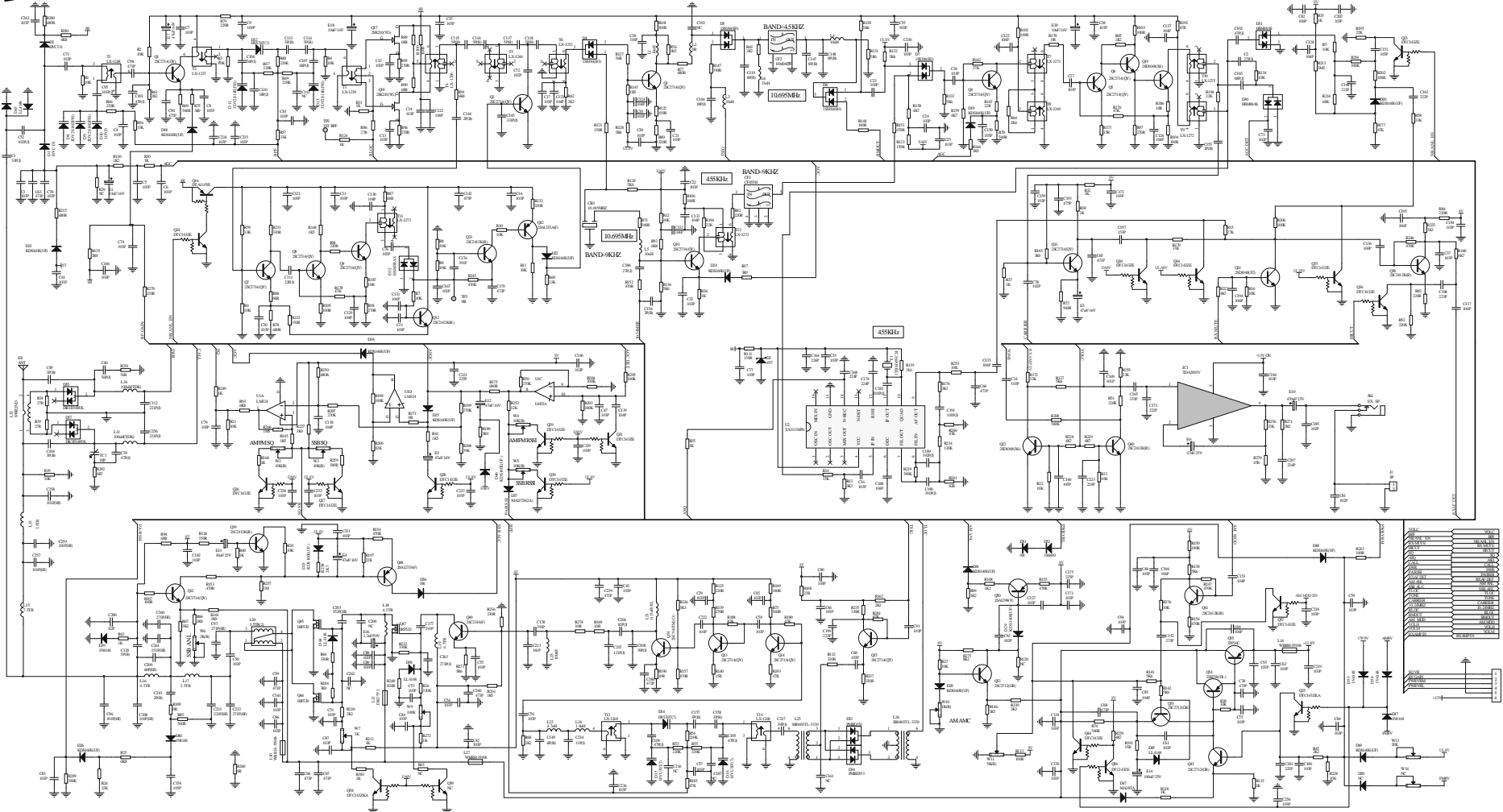


# SCHEMATIC DIAGRAM

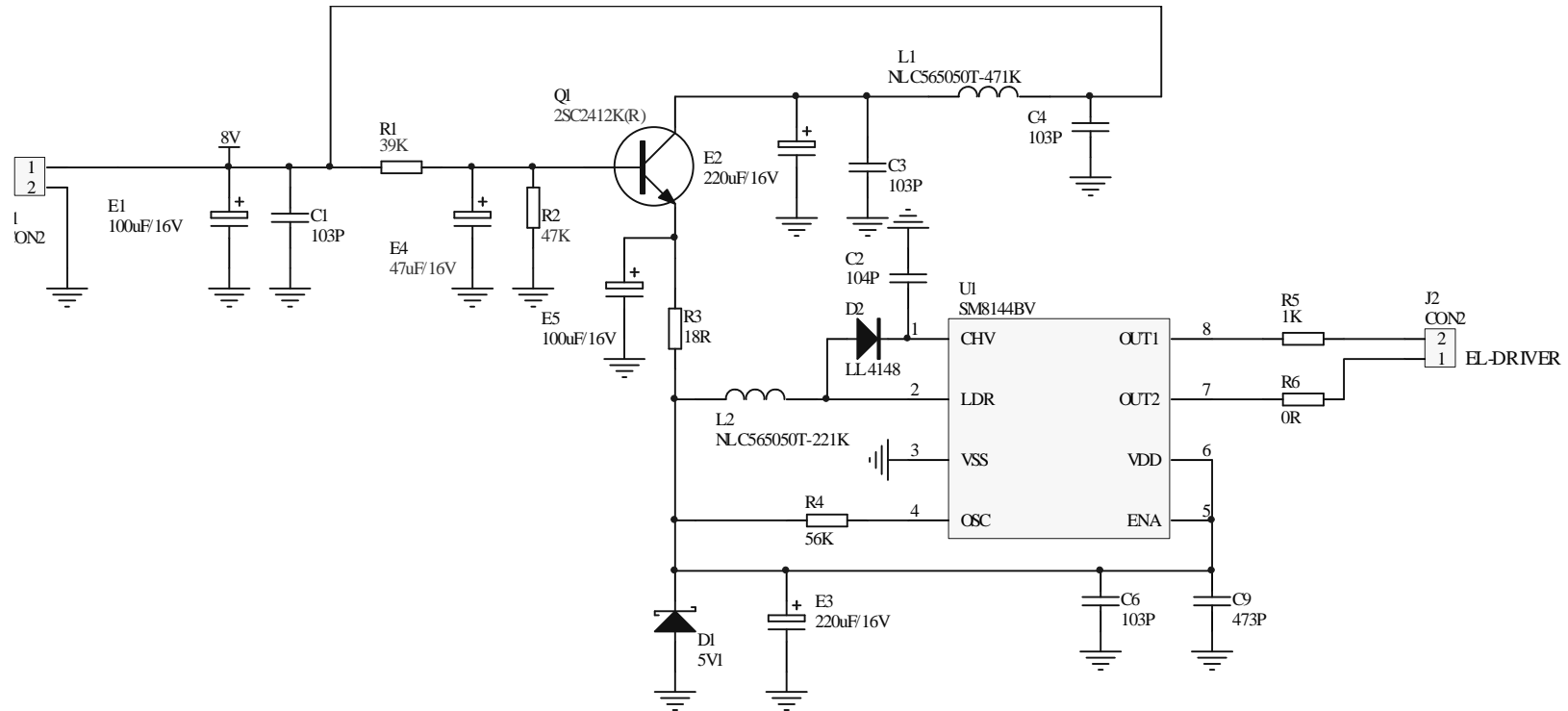




# SCHEMATIC DIAGRAM



# SCHEMATIC DIAGRAM



# SCHEMATIC DIAGRAM

