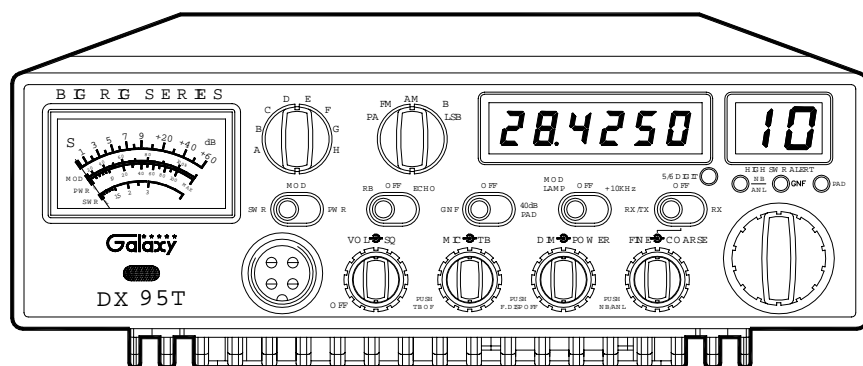


Galaxy

DX 95T



**10 Meter
Amateur Mobile Transceiver
With Built-in Frequency Counter &
StarLite Face Plate**

OWNER'S MANUAL

Downloaded from www.cbradio.nl

TABLE OF CONTENTS

	PAGE
CHAPTER 1	
Specifications	2
 CHAPTER 2	
Installation	3
Installing The Radio	3
Ignition Noise Interference	4
Antenna	4
External Speaker	4
Public Address	4
 CHAPTER 3	
Operation	5
Front Panel	5
Rear Panel	9
Procedure to Receive and Transmit	10
Receiving SSB Signals	11
Alternate Microphone and Installation	13

CHAPTER 1 SPECIFICATIONS

GENERAL

Model	DX 95T
Frequency Range	28.315 ~ 28.755 MHz
Emission	FM/AM/USB/LSB
Frequency Control	Phase-Lock-Loop (PLL) Synthesizer
Frequency Stability	0.001%
Temperature Range	-30°C to +50°C
Antenna Impedance	50 Ohms
Antenna Connectors	Standard SO-239 type
Input Voltage	13.8V DC
Size	7 3/4" (W) x 2 7/8" (H) x 10 1/4" (D)
Weight	6 lb.

TRANSMITTER

RF Power Output	AM/FM: 2W~50W USB/LSB: 150W PEP
Spurious Emission	-50 dB
Unwanted Sideband	-50 dB
Audio Distortion	10%
Frequency Response	300 to 2500Hz
Microphone	Dynamic
Clarifier Range	Coarse: ± 6.0 KHz, Fine: ± 1.0 KHz

RECEIVER

Sensitivity for 10 dB (S+N)/N	AM: $< 0.5 \mu\text{V}$; USB/LSB: $< 0.25 \mu\text{V}$
Sensitivity for 12 dB (S+N)/N	FM: $< 0.25 \mu\text{V}$
Squelch Sensitivity	$< 0.5 \mu\text{V}$
Selectivity	-55 dB
Image Rejection	-50 dB
AGC Figure of Merit	100 mV for 10dB Change in Audio Output
Audio Power Output	2.5W @ 10% Distortion
Audio Response	300 to 2500 Hz

(SPECIFICATIONS SUBJECT TO CHANGE WITHOUT NOTICE)

CHAPTER 2 INSTALLATION

INSTALLING THE RADIO

Choose a convenient location for operation that does not interfere with driver or passenger. This radio is supplied with a universal mounting bracket. When mounting the bracket and radio to your car, make sure it is mechanically strong. Also, provide a good electrical grounding connection to the chassis of vehicle. Proceed as follows to install the radio.

1. Locate a convenient area in your vehicle for the installation of the radio. Hold the mounting bracket with the radio in the location where the radio is to be installed. Make sure nothing will interfere with either the radio or the mounting bolts. Mark and then drill holes for the mounting bracket.
2. Most radio antennas come equipped with a PL-259 plug. Connect this plug to the ANT. Jack in the rear of the radio.
3. Extending from the rear of the radio is a fused red and black wire for the DC connections to the vehicle's electrical system. For best performance, it is strongly recommended that the red lead be taken directly to the positive terminal on the vehicle's battery and the black lead be connected to the nearest chassis ground. (Note: ***This radio is designed for vehicles with negative ground systems.***)

Connections should be made using appropriate "crimp on" lugs of a size large enough to make good contact with the bolt used to fasten to the battery and the chassis ground. It is a good safety idea to install a second fuse that would provide protection in case the red wire was to "fray" or get pinched and short to the body of the vehicle, somewhere between the battery and the radio.

High power radios such as this one require large DC current flow when in the TX mode. Poor power connections cause supply voltage drops that can substantially decrease the performance of your radio. A good DC connection is probably one of the most important things for getting the best transmitter performance and in some cases, least receiver noise.

4. Mount the microphone bracket near the radio in an easily accessible spot using the two screws provided.

IGNITION NOISE INTERFERENCE

With weak signals, you may experience interference of the signal by background noise. This radio has NB and ANL circuits which will help reduce background noise from sources such as your ignition system. However, background electrical noise may come from several sources and all noise may not be eliminated. With extremely weak signals, you can operate this radio with the engine turned off, which should improve reception. If the ignition noise level is too high to allow proper operation under most conditions, you should have your installation of the radio checked by a qualified technician.

ANTENNA

This radio has a jack in the rear for a standard PL-259 antenna plug. If you are looking for the most range for your transmission, use a vertically polarized, quarter-wave length antenna. If antenna height is a problem, you may use a shorter, loaded-type whip antenna although you can expect some loss of transmission range.

To improve performance, your antenna should be matched to your radio. Your antenna can be adjusted so that it matches your radio.

EXTERNAL SPEAKER

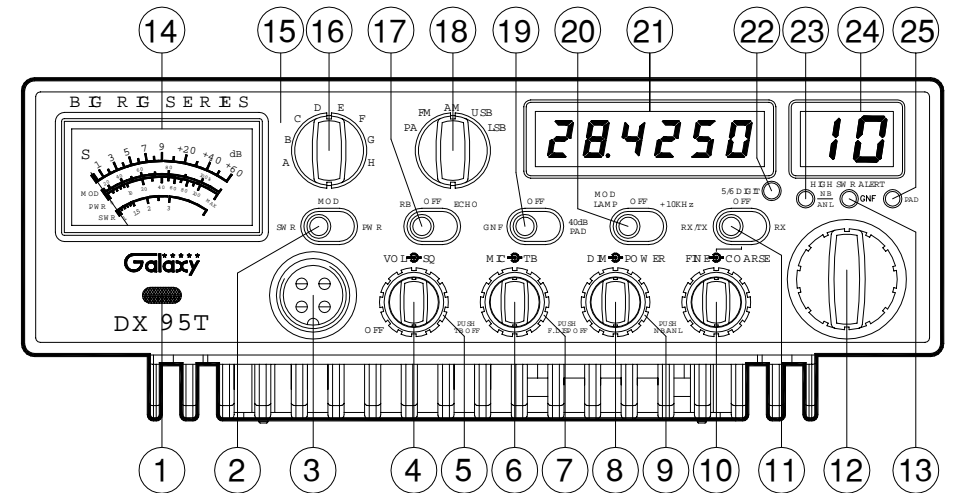
The external speaker jack (EXT SP.) on the rear panel is used for remote receiver monitoring. The external speaker should have 8 ohms impedance and be able to handle at least 4 watts. When the external speaker is plugged in, the internal speaker is disconnected.

PUBLIC ADDRESS

To use the Public Address (PA) function, first connect an external speaker to the PA. SP. Jack on the rear of the radio. See the above specifications for a proper external speaker. Keep the speaker away from the microphone to avoid acoustic feedback.

CHAPTER 3 OPERATION

CONTROL FUNCTIONS FRONT PANEL



- 1. MOD LAMP:** When switched on, this Modulation indicator will illuminate as you speak into the microphone. When you speak louder, it appears bright because it is on nearly 100 percent of the time and when you speak softer, it appears dimmer because it is flickering on and off. It does not glow at all when there is no modulation. This lamp operates in all modes.
- 2. SWR/MOD/PWR SWITCH:** This switch controls the function of the meter during the transmit mode. In the "SWR" position, the meter indicates the Standing Wave Ratio (SWR) of your antenna (accurate at maximum power output). There are no adjustments because the SWR circuit in this radio calibrates itself automatically. When the switch is in the "MOD" position, the green scale on the meter indicates your percentage of modulation in the AM mode only. It is most accurate when testing at maximum power output. When this switch is in "PWR" position, the meter indicates your power output.
- 3. MICROPHONE JACK:** Used to connect microphone.
- 4. ON/OFF VOLUME CONTROL:** This knob controls the volume and power to the radio. To turn radio on, rotate the knob clockwise. Turning the knob further will increase the volume of the receiver.

5. **SQUELCH CONTROL:** This knob is used to eliminate background noise being heard through the receiver, which can be disturbing when no transmissions are being heard through the receiver. To use this feature, turn the knob fully counterclockwise and then turn clockwise slowly until the background noise is just eliminated. Further clockwise rotation will increase the threshold level which a signal must overcome in order to be heard. Only strong signals will be heard at a maximum clockwise setting.
6. **MIC GAIN CONTROL/PUSH TB OFF SWITCH:** Adjusts the microphone gain in transmit and PA modes. This controls the gain to the extent that full talk power is available several inches away from the microphone. In the Public Address (PA) mode, the control functions as the volume control. Pushing this knob turns the Talkback circuit on and off.
7. **TALKBACK (TB) CONTROL:** Adjust this knob for desired volume of Talkback. This is used to monitor your own voice. For example, you could use this feature to compare different microphones.
8. **DIM CONTROL/PUSH FREQUENCY DISPLAY OFF SWITCH:** This knob controls the level of brightness for the meter lamp, faceplate, frequency display and channel display. Pushing this knob turns the Frequency Display on and off.
9. **RF POWER CONTROL:** This control allows the user to adjust RF power output.
10. **COARSE/FINE CONTROL/PUSH NB-ANL OFF SWITCH:** Allows variation of the radio operating frequencies above and below the channel frequency. Although this control is intended primarily to tune in SSB signals, it may be used to optimize AM/FM signals. Pushing this knob turns the Noise Blanker (NB) / Automatic Noise Limiter (ANL) circuit on and off. The Noise Blanker (NB) is very effective in eliminating repetitive impulse noise such as ignition interference.
11. **RX/TX/OFF/RX SWITCH:** When in the RX/TX position, the two clarifiers (Coarse and Fine) function on both receive and transmit. When the switch is in the RX position, the Fine clarifier functions on receive only and the Coarse clarifier still functions on both receive and transmit. When in the OFF position, both clarifiers have no effect on the frequency.
12. **CHANNEL SELECTOR:** This control is used to select the desired transmit and receive channel.
13. **GNF LED:** This LED lights green when the GNF function is on.
14. **FRONT PANEL METER:** The front panel meter allows the user to monitor incoming signal strength, RF output power, SWR level and AM modulation level.
15. **ILLUMINATED FACE PLATE:** All faceplate lettering will fully illuminate to allow the user easy viewing at night. This unique, solid state, backlight is designed to maximize night vision while minimizing eye fatigue. Therefore, it is ideal for switch and control recognition day or night.
16. **BAND SELECTOR:** This switch is used to select the band.
17. **RB/OFF/ECHO SWITCH:** When in the RB position, the radio transmits an audio tone at the end of your transmission to indicate that transmission has ended. As a courtesy to others, use the Roger Beep only when necessary. When the switch is in the ECHO position it turns the Echo circuit on. The time and amount of Echo effect are preset at the factory. There are no external controls for these adjustments. However, there are two small internal adjusting pots inside the Echo module, which is located in a metal box just behind the channel selector switch. These adjusting pots are labeled Echo and Time.
18. **MODE SWITCH:** This control allows you to select one of the following operating modes: PA/FM/AM/USB/LSB.
19. **GNF/OFF/40dB PAD SWITCH:** When in the GNF position, the Galaxy Noise Filter is activated. This is a special noise filter that de-emphasizes audio high frequency response in order to increase the signal-to-noise ratio of weak signals. While you will notice a dramatic reduction in the “rushing” sound when this filter is activated, it does not have much effect on the signal-to-noise ratio of strong signals. The GNF is for SSB use only and will cause distortion if used during AM reception. When the switch is in the 40dB PAD position, the 40dB attenuation circuit is activated. When the switch is in the OFF position, neither the GNF circuit nor the Attenuation circuit will be active.
20. **MOD LAMP/OFF/+10KHz SWITCH:** When in the MOD LAMP position, the Mod Lamp circuit is activated. When the switch is in the +10KHz position, the frequency is shifted up 10KHz.
21. **FREQUENCY COUNTER:** This display indicates the frequency of the selected channel.
22. **5/6 DIGIT SWITCH:** Pushing this switch will change the frequency display from a six digit readout to a five digit readout. It will turn the hundreds digit on and off. Then a frequency of 28.3056 MHz would read 28.305 MHz.

23. **NB/ANL LED:** This LED lights green when the NB/ANL circuit is on.

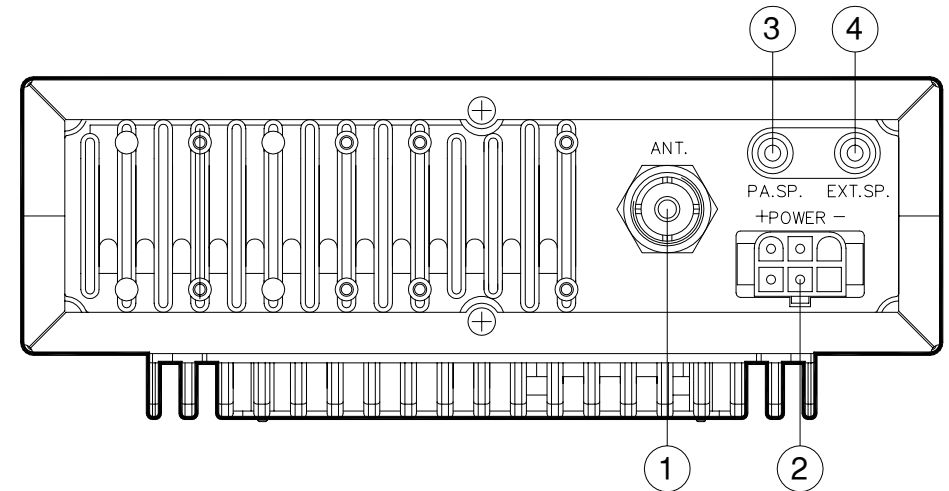
24. **CHANNEL DISPLAY:** The channel display indicates the current selected channel.

25. **PAD LED:** This LED lights green when the 40dB attenuator circuit is on.

NOTES

HIGH SWR ALERT: All three LEDs (NB/ANL, GNF & PAD) light red when your SWR is higher than about 3:1. This alert is accurate only at maximum power output. This is not an exact indicator of 3:1 SWR, but it is an indication that you should check your SWR reading.

REAR PANEL



1. **ANTENNA:** This jack accepts a 50-ohm coaxial cable with a PL-259 type plug.
2. **DC POWER:** This jack accepts the 13.8V DC power cable with built-in fuses. The power cord provided with the radio has a black and red wire. The black goes to negative and red goes to positive.
3. **PA SP:** This jack is for PA operation. Before operating, you must first connect a PA speaker (8 ohms, 4W) to this jack.
4. **EXT. SP:** This jack accepts a 4 to 8 ohm, 5-watt external speaker. When the external speaker is connected to this jack, the built-in speaker will be disabled.

PROCEDURE TO RECEIVE AND TRANSMIT

A. MICROPHONE

The push-to-talk switch on the microphone controls the receiver and transmitter. Press the switch and the transmitter is activated, release switch to receive. When transmitting, hold the microphone two inches from your mouth and speak clearly in a normal voice. This transceiver comes complete with a low impedance dynamic microphone.

B. PROCEDURE TO RECEIVE

1. Be sure that power source, microphone and antenna are connected to the proper connectors before going to the next step.
2. Turn **VOL** knob clockwise to apply power to the radio.
3. Set the **VOL** for a comfortable listening level.
4. Set the **MODE** switch to the desired mode.
5. Listen to the background noise from the speaker. Turn the **SQ** knob slowly clockwise until the noise just disappears. The **SQ** is now properly adjusted. The receiver will remain quiet until a signal is actually received. Do not advance the control too far or some of the weaker signals will not be heard.
6. Set the **CHANNEL** selector switch to the desired channel.
7. Adjust **COARSE/FINE** control to clarify the SSB signals or to optimize AM/FM signals.

C. PROCEDURE TO TRANSMIT

1. Select the desired channel of operation.
2. Set the **MIC GAIN** control fully clockwise.
3. If the channel is clear, depress the push-to-talk switch on the microphone and speak in a normal voice.

RECEIVING SSB SIGNALS

There are four types of signals presently used for communications: FM, AM, USB and LSB. When the MODE switch on your unit is placed in the AM position, only standard double-side band and in FM position, only frequency deviation, full carrier signals will be detected. An SSB signal may be recognized while in the AM or FM mode by its characteristic "Donald Duck" sound and the inability of the detector to produce an intelligible output. The USB and LSB modes will detect upper sideband and lower sideband respectively, and standard AM signals.

SSB reception differs from standard AM reception in that an SSB receiver does not require a carrier or opposite side band to produce an intelligible signal. A single-side band transmitted signal consists only of the upper or the lower side band and no carrier is transmitted. The elimination of the carrier from the AM signal helps to eliminate the biggest cause of whistles and tones heard on channels that make even moderately strong AM signals unreadable. Also, SSB takes only half the space of an AM channel, therefore two SSB conversations will fit into each channel, expanding the 40 AM channels to 80 SSB channels. The reduction in channel space required also helps in the receiver because only half of the noise and interference can be received with 100% of the SSB signal.

An SSB signal may be received only when the listening receiver is functioning in the same mode. In other words, an upper side band signal (USB) may be made intelligible only if the receiver is functioning in the USB position.

If a lower side band (LSB) signal is heard when the receiver is in the USB mode, no amount of tuning will make the signal intelligible. The reason for this may be understood if you consider that when the modulation is applied to the transmitter's microphone in the USB mode, the transmitter output frequency is increased whereas in the LSB mode the transmitter's output frequency is decreased.

The result in listening to the receiver is that when the MODE switch is in the proper position (either USB or LSB), a true reproduction of a single tone of modulation will result, and if the tone is increased in frequency (such as a low-pitched whistle or a high-pitched whistle) you will hear the increase in the output tone of the receiver. If the incorrect mode is selected, an increase in tone of a whistle applied to the transmitter will cause a decrease in the resultant tone from the receiver.

Thus when a voice is used in place of a whistle or tone, in the proper listening mode the voice will be received correctly whereas in the incorrect mode, the voice will be translated backwards and cannot be made intelligible by the COARSE/FINE control. When listening to an AM transmission, a correct side band is heard in either mode since both upper and lower side bands are received.

Once the desired SSB mode has been selected, frequency adjustment may be necessary in order to make the incoming signal intelligible. The COARSE/FINE control allows the operator to vary frequency above or below the exact frequency of the channel. If the sound of the incoming signal is high or low pitched, adjust the operation of the COARSE/FINE.

Consider it as performing the same function as a phonograph speed control. When the speed is set too high, voices will be high-pitched and if set too low, voice will be low-pitched. Also, there is only one correct speed that will make a particular record produce the same sound that was recorded. If the record is played on a turntable that is rotated in the wrong direction (opposite side band) no amount of speed control (COARSE/FINE) will produce an intelligible sound.

An AM signal received while listening in one of the SSB modes will produce a steady tone (carrier) in addition to the intelligence, unless the SSB receiver is tuned to exactly the same frequency by the COARSE/FINE control. For simplicity, it is recommended that the AM modes be used to listen to AM signals.

ALTERNATE MICROPHONES AND INSTALLATION

For best results, the user should select a low-impedance dynamic type microphone or a transistorized microphone. Transistorized type microphones have low output impedance characteristics. The microphones must be provided with a four-lead cable. The audio conductor and its shielded lead comprise two of the leads. The third lead is for transmit control and fourth is for receiving control.

The microphone should provide the functions shown in the schematic below.

4 WIRE MIC CABLE

<u>Pin Number</u>	<u>Mic Cable Lead</u>
1	Audio Shield
2	Audio Lead
3	Transmit Control
4	Receive Control

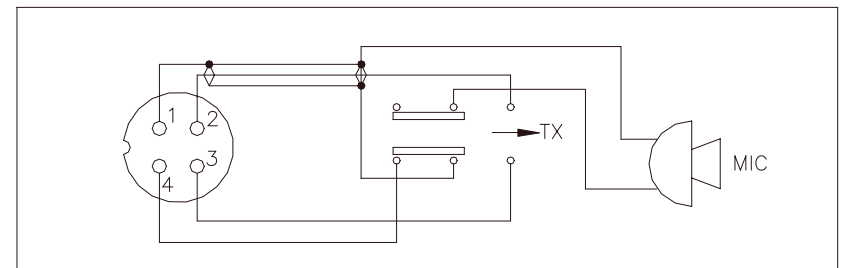


Fig. 1 Your transceiver microphone schematic.

If the microphone to be used is provided with pre-cut leads, they must be revised as follows.

1. Cut leads so that they extend 7/16" beyond the plastic insulating jacket of the microphone cable.
2. All leads should be cut to the same length. Strip the ends of each wire 1/8" and tin the exposed wire.

Before beginning the actual wiring, read carefully the circuit and wiring information provided with the microphone you select. Use the minimum heat required in soldering the connections. Keep the exposed wire lengths to a minimum to avoid shorting when the microphone plug is reassembled.

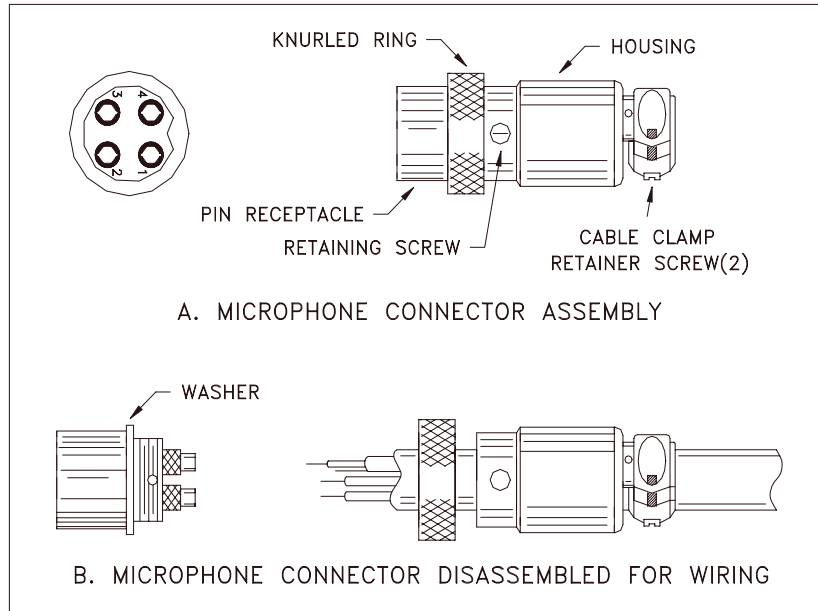


Fig. 2 Microphone plug wiring

To wire the microphone cable to the plug provided, proceed as follows:

1. Remove the retaining screw.
2. Unscrew the housing from the pin receptacle body.
3. Loosen the two cable clamp retainer screws.
4. Feed the microphone cable through the housing, knurled ring and washer as shown Figure 2.

5. The wires must now be soldered to the pins as indicated in the above wiring tables. If a vise or clamping tool is available it should be used to hold the pin receptacle body during the soldering operation, so that both hands are free to perform the soldering. If a vise or clamping tool is not available, the pin receptacle body can be held in a stationary position by inserting it into the microphone jack on the front panel. The numbers of the microphone plug are shown in Fig. 3, as viewed from the back of the plug. Before soldering the wire to the pins, pre-tin the wire receptacle of each pin of the plug.

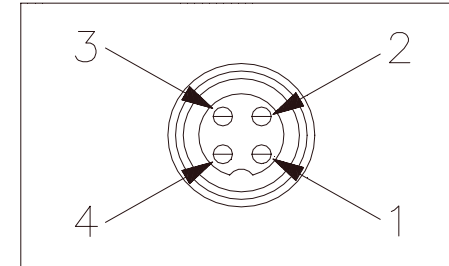


Fig. 3 Microphone plug pin numbers viewed from rear of pin receptacle.

6. Be sure that the housing and the knurled ring of Figure 2 are pushed back onto the microphone cable before starting to solder. If the washer is not captive to the pin receptacle body, make sure that it is placed on the threaded portion of the pin receptacle body before soldering.
7. If the microphone jack is used to hold the pin receptacle during soldering operation, best results are obtained when the connections to pin 1 and 3 are made first and then the connections to pins 2 and 4. Use a minimum amount of soldering and be careful to prevent excessive solder accumulation on pins, which could cause a short between the pin and the microphone plug housing.
8. When all soldering connections to the pins of the microphone are completed, push the knurled ring and the housing forward and screw the housing onto the threaded portion of the pin receptacle body. Note the location of the screw clearance hole in the plug housing with respect to the threaded hole in the pin receptacle body. When the housing is completely threaded into the pin receptacle body, a final fraction of a turn either clockwise or counterclockwise may be required to align the screw hole with the threaded hole in the pin receptacle body. When these are aligned, the retaining screw is then screwed into place to secure the housing to the pin receptacle body.

WARRANTY

This radio is covered by a two year Limited parts and labor warranty.

- “Limited” means that we will repair problems caused by factory defects or normal use at no charge.
- Before returning a radio to us for warranty service, please call our Service Department for a Repair Authorization Number (RAN). This RAN must be written below your return address on the outside of the shipping box. Boxes, which arrive without an RAN, will be refused, and the shipping company will return the unopened box to you. Be sure to have a pen and paper ready along with the serial number of your radio before calling. We will give you the RAN and our shipping address over the phone. The telephone number of the Service Department is (760) 480-8800, and we suggest calling between 10:00 AM and 4:00 PM Pacific Time.
- Please include a note with a detailed description of the symptoms. This is important because it will help the technician who works on your radio to locate your problem. Intermittent problems are easily overlooked, so be sure to give as much detail as possible in your note. Also, please include your daytime telephone number in case our technicians have any additional questions.
- Do not send your power cord or microphone unless we ask for these items during our telephone conversation.
- You are responsible for getting the radio safely to us. (We suggest using United Parcel Service.) You must pay to ship the radio to us, and we will pay to ship the radio back to you. Since we use UPS and they do not ship to Post Offices boxes, please provide us with a street address for the return of your radio.
- We will repair and return your radio as soon as we can. We appreciate your choosing a Galaxy radio and we want you to be on the air as much as possible!

Be sure to visit our web site at

www.GalaxyRadios.com

The logo for Galaxy Radios features the word "Galaxy" in a stylized, dark red font. Above the letters "a", "l", "a", "x", and "y" are five small, dark red stars. The "G" is a large, bold, serif letter, while the rest of the word is in a more modern, sans-serif style.

Printed in Taiwan
AT0949010P