

PRESIDENT

New range, perfect harmony !

HARRY III Classic

« *Andante* »



Downloaded from www.cbradio.nl

- Roger Beep • Large display with LCD
- Memorization of a priority channel
- Lock function • Scan function
- AM/FM • Key beep...

Groupe

PRESIDENT
ELECTRONICS

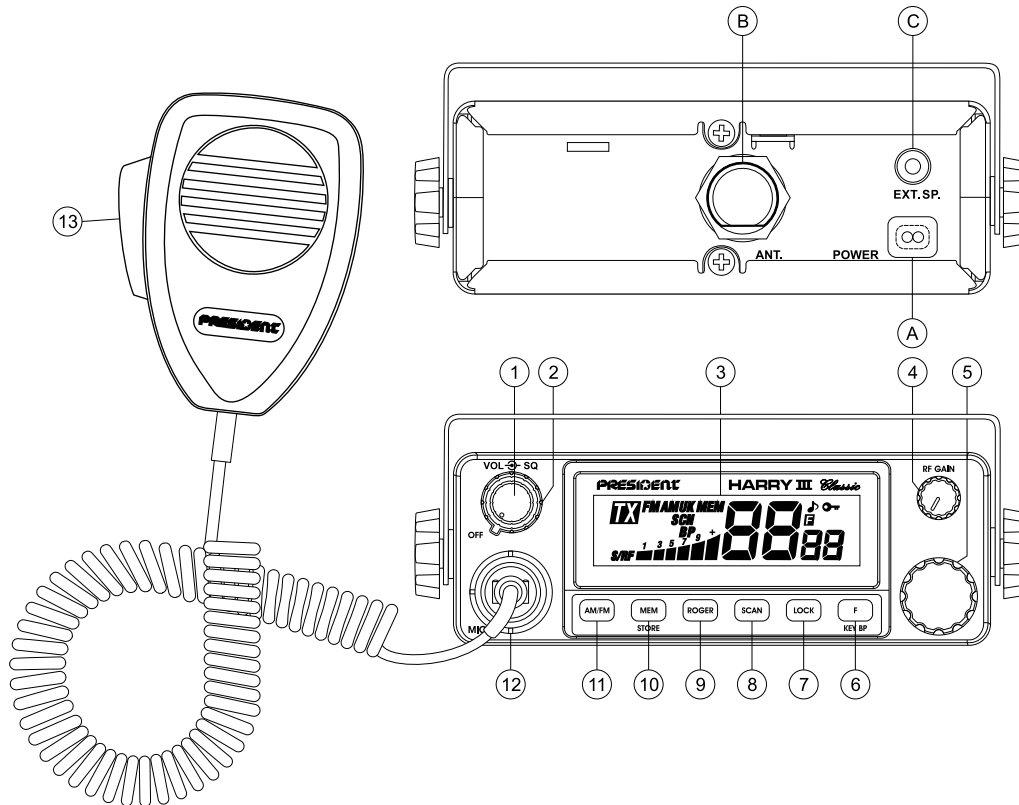
S.A. Capital 5.000.000 €

Siège Social / Head Office – France – Route de Sète – BP 100 – 34540 BALARUC

Site : <http://www.president-electronics.com> – e-mail : groupe@president-electronics.com

0990/08-09 C0174





- 1) ON/OFF – VOLUME
- 2) SQUELCH
- 3) DISPLAY
- 4) RF GAIN
- 5) CHANNEL SELECTOR
- 6) F ~ KEY BP
- 7) LOCK
- 8) SCAN

- 9) ROGER
- 10) STORE ~ MEM
- 11) AM/FM
- 12) 6 PIN MICROPHONE PLUG
- 13) PTT
- A) DC-POWER TERMINAL (13,2 V)
- B) ANTENNA CONNECTOR (SO-239)
- C) EXTERNAL SPEAKER JACK (8Ω, Ø 3,5 mm)

0991/08-09 C0174b

1) GENERAL

- Channels : 40
- Modulation modes : AM/FM
- Frequency ranges : from 26.965 MHz to 27.405 MHz
- Antenna impedance : 50 ohms
- Power supply : 13.2 V
- Dimensions (in mm) : 125 (L) x 150 (H) x 45 (D)
- Weight : ~ 0.7 kg
- Accessories supplied : Electret microphone with support, mounting cradle, screws.
- Filter : ANL (Automatic Noise Limiter) built-in

2) TRANSMISSION

- Frequency allowance : +/- 200 Hz
- Carrier power : 1 W AM / 4 W FM
- Transmission interference : inferior to 4 nW (- 54 dBm)
- Audio response : 300 Hz to 3 KHz
- Emitted power in the adj. channel : inferior to 20 μW
- Microphone sensitivity : 7 mV
- Drain : 1,7 A (with modulation)
- Modulated signal distortion : 1,8 %

3) RECEPTION

- Maxi. sensitivity at 20 dB sinad : 0.5 μV - 113 dBm
- Frequency response : 300 Hz to 3 kHz
- Adjacent channel selectivity : 60 dB
- Maximum audio power : 2 W
- Squelch sensitivity : minimum 0.2 μV - 120 dBm
maximum 1 mV - 47 dBm
- Frequency image rejection rate : 60 dB
- Intermediate frequency rejection rate : 70 dB
- Drain : 300 mA nominal
750 mA maximum

Specifications



all european standards

