

PRESIDENT

THOMAS ASC

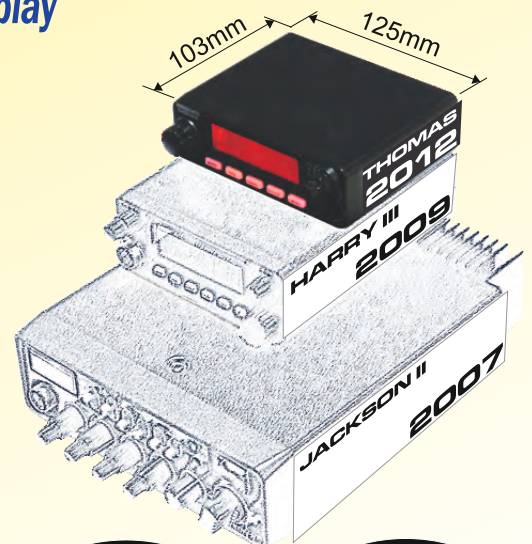
mini CB, major features



360

real size

- ASC* (Squelch automatique) • AM/FM • Frequencies display
- Priority Channel 9/19 • CTCSS - DCS • 8 Memories
- Switchable key beep • All European standards...



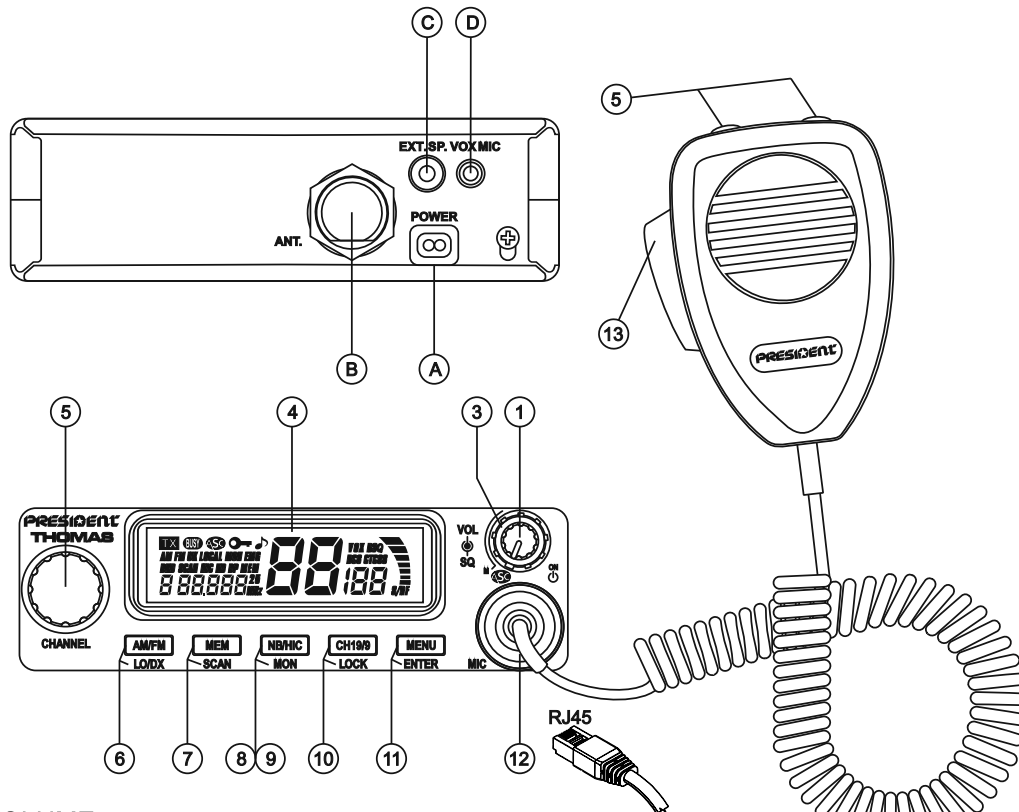
*World patented by PRESIDENT

Groupe
PRESIDENT
ELECTRONICS

1271/04-12 C0273

S.A. Capital 10.000.000 €
Siège Social / Head Office – France – Route de Sète – BP 100 – 34540 BALARUC
Site : <http://www.president-electronics.com> – e-mail : groupe@president-electronics.com





- 1) ON/OFF - VOLUME
- 3) ASC (Automatic Squelch Control) / SQUELCH
- 4) DISPLAY
- 5) CHANNEL SELECTOR : rotary knob and UP/DN keys of the standard microphone
- 6) AM/FM - LOCAL DX
- 7) MEN - SCAN
- 8) NB/HIC
- 9) MON
- 10) CH19/9 - LOCK
- 11) MENU - ENTER
- 12) RJ45 MICROPHONE PLUG
- 13) PTT
- A) DC-POWER TERMINAL (13,2 V)
- B) ANTENNA CONNECTOR (SO-239)
- C) EXTERNAL SPEAKER JACK (8 Ω, Ø 3,5 mm)
- D) JACK FOR OPTIONAL VOX MIKE (Ø 2,5 mm)

1270/04-12 C0273b

1) GENERAL

- Channels : 40
- Modulation modes : AM / FM
- Frequency ranges : from 26.965 MHz to 27.405 Mhz
- CTCSS : 38 tones
- DCS : 104 codes
- Antenna impedance : 50 ohms
- Power supply : 13.2 V
- Dimensions (in mm) : 125 (W) x 103 (D) x 38 (H)
- Weight : ~ 0.7 kg
- Accessories supplied : Microphone UP/DOWN with support, mounting cradle, screws

2) TRANSMISSION

- Frequency allowance : +/- 200 Hz
- Carrier power : 4 W AM / 4 W FM
- Transmission interference : inferior to 4 nW (- 54 dBm)
- Audio response : 300 Hz to 3 KHz
- Emitted power in the adjacent channel : inferior to 20 μW
- Microphone sensitivity : 7 mV
- Drain : 1,8 A (with modulation)
- Modulated signal dist. : 2 %

Specifications

3) RECEPTION

- Maxi. sensitivity at 20 dB sinad : 0.5 μV - 113 dBm (AM)
0.35 μV - 116 dBm (FM)
- Frequency response : 300 Hz to 3 kHz
- Adjacent channel selectivity : 60 dB
- Maximum audio power : 2 W
- Squelch sensitivity : minimum 0.2 μV - 120 dBm
maximum 1 mV - 47 dBm
- Frequency image rejection rate : 60 dB
- Inter modulation rejection : 70 dB
- Drain : 300 mA nominal
750 mA maximum



all european standards

