

[www.cbradio.nl](http://www.cbradio.nl)

thanks Homer

for sharing this file

1010002, Madison

40-Channel SSB Base



# Service manual

## **PRESIDENT**

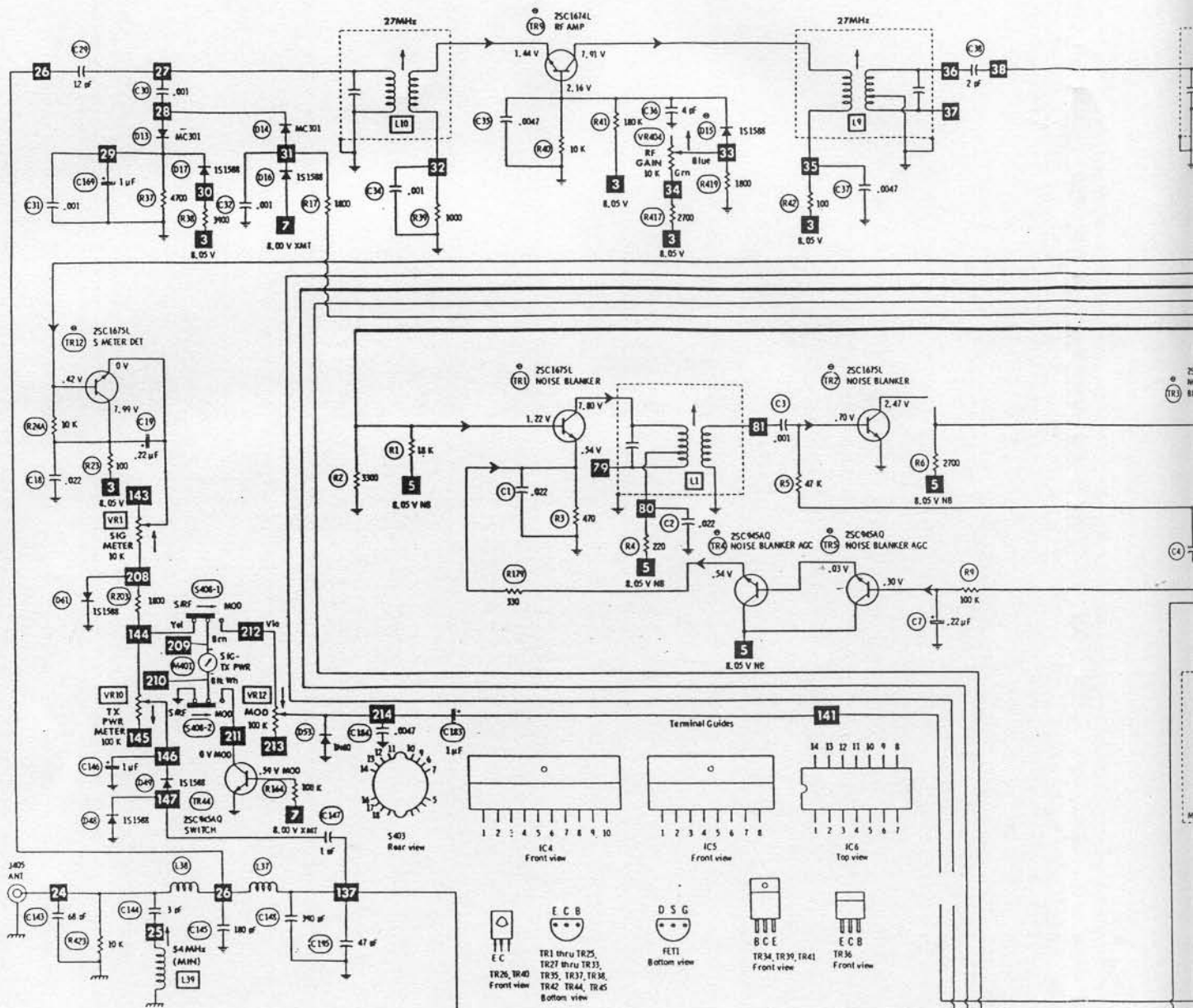
Engineered to be the very best.

President Electronics, Inc., 16691 Hale Ave.,  
Irvine, California 92714 (714) 556-7355





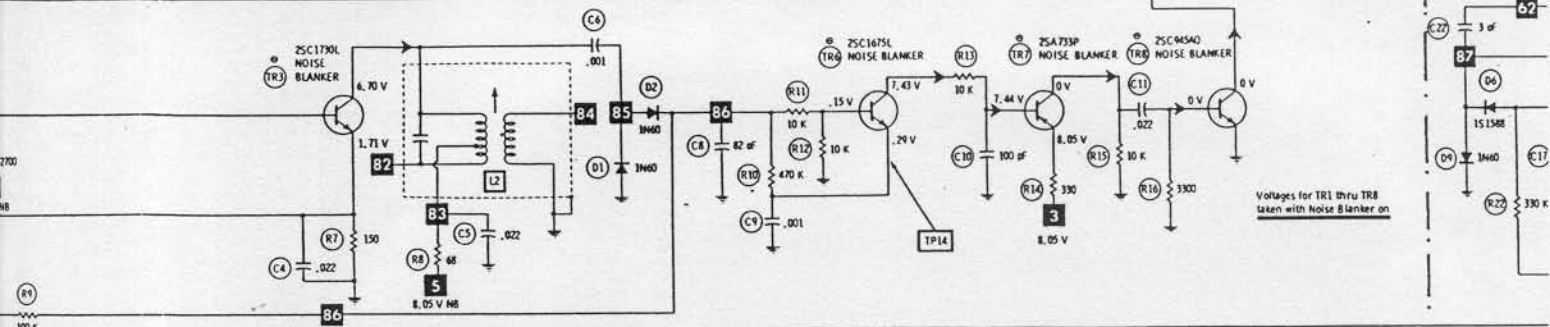
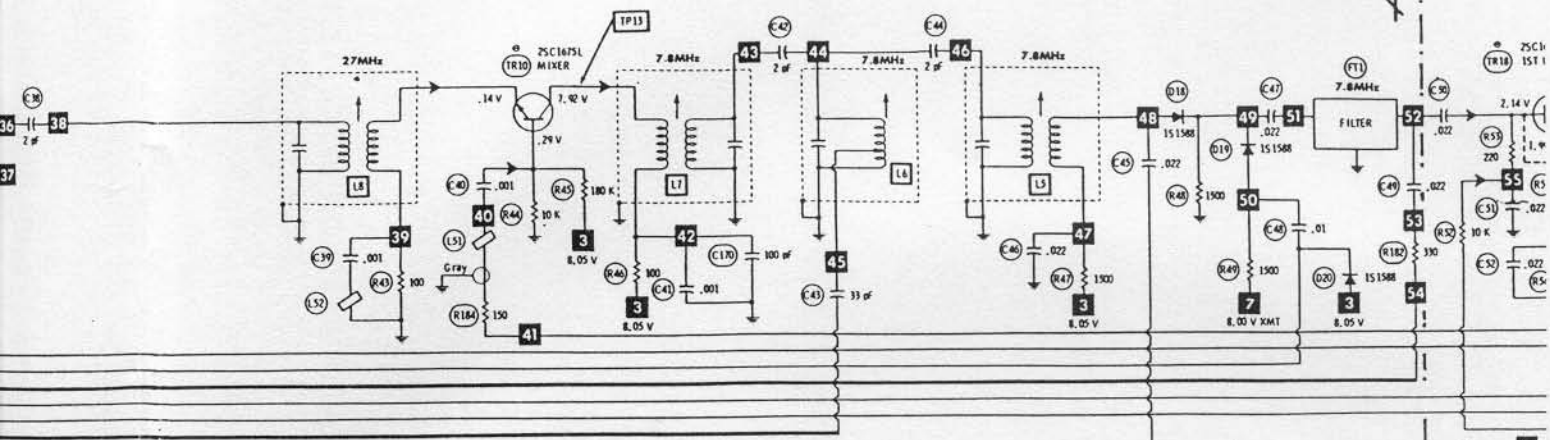




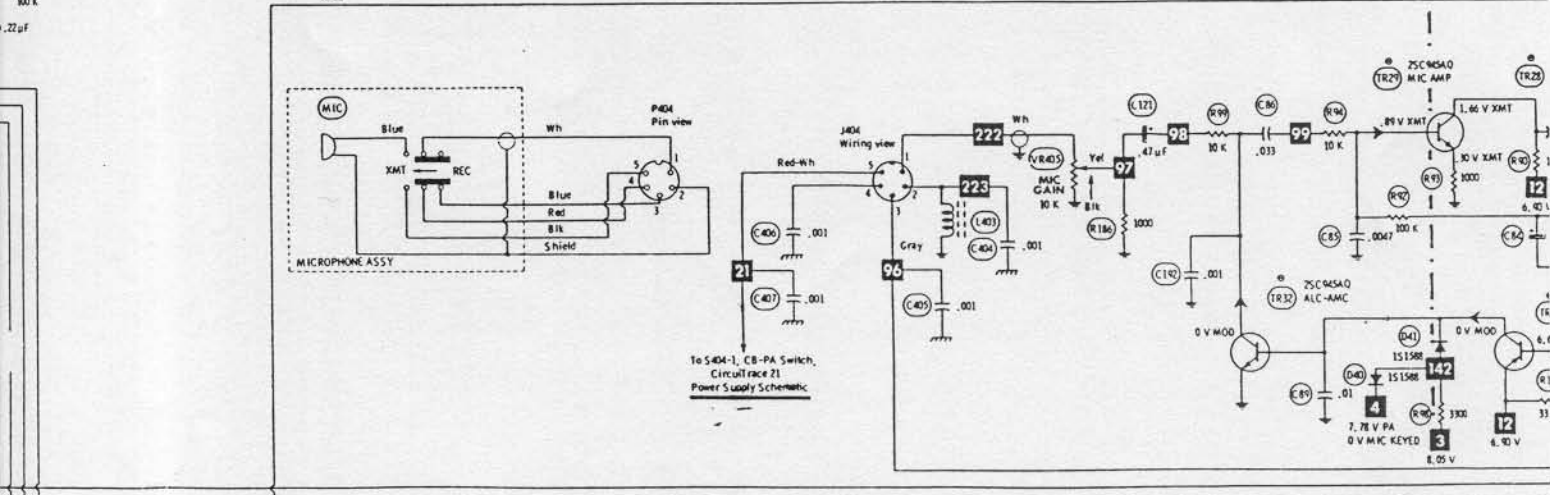
- \*— Circuitry not used in some versions
- - - Circuitry used in some versions
- ⊙ See parts list
- \* Nominal value
- ⊥ Ground
- ▭ Chassis
- ∇ Common tie point
- Signal path
- ↔ Voltage path

Measurements made in Channel 1 with switching as shown unless noted.  
 Item numbers in rectangles appear in the alignment/adjustment instructions.  
 Supply voltage maintained as shown at input.  
 Voltages measured with digital meter, no signal.  
 Controls adjusted for normal operation.  
 Arrow at control indicates direction of advance.  
 Terminal identification may not be found on unit.  
 Resistors are 1/2W or less, 5% unless noted.  
 Value in ( ) used in some versions.

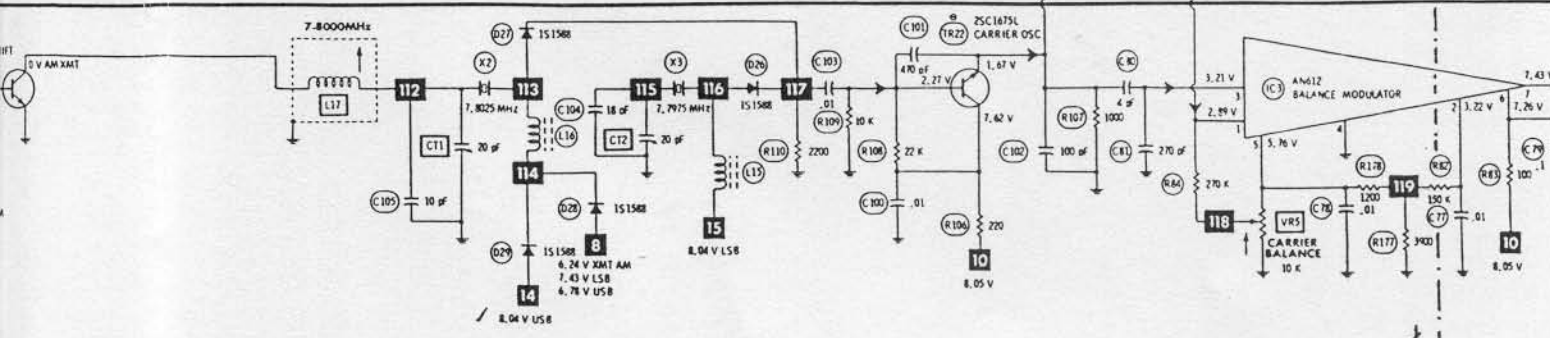
A PHOTOFACT STANDARD NOTATION SCHEMATIC  
 WITH **CIRCUITRACE**

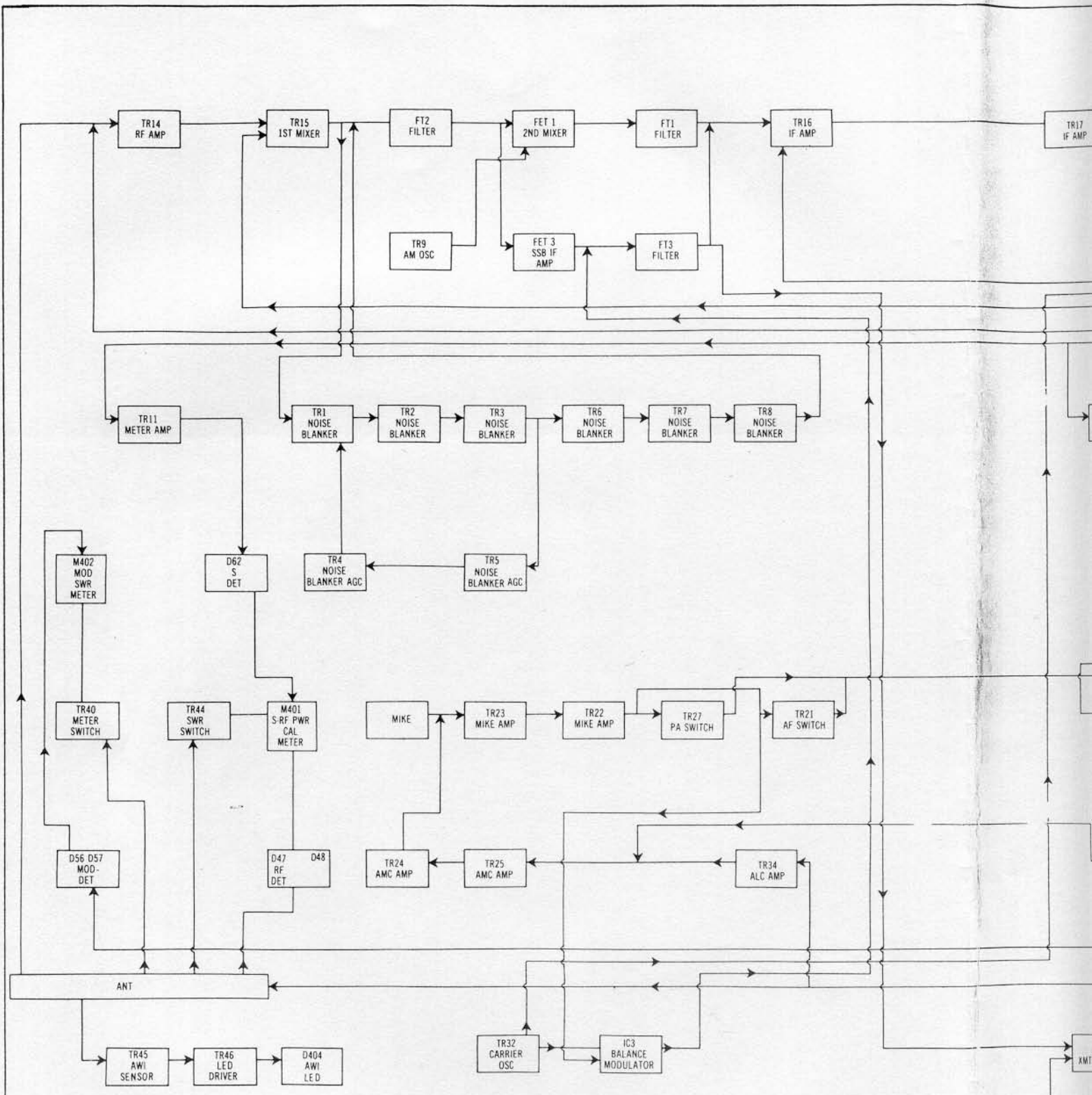


Volts for TR1 thru TR8 taken with Noise Blanker on

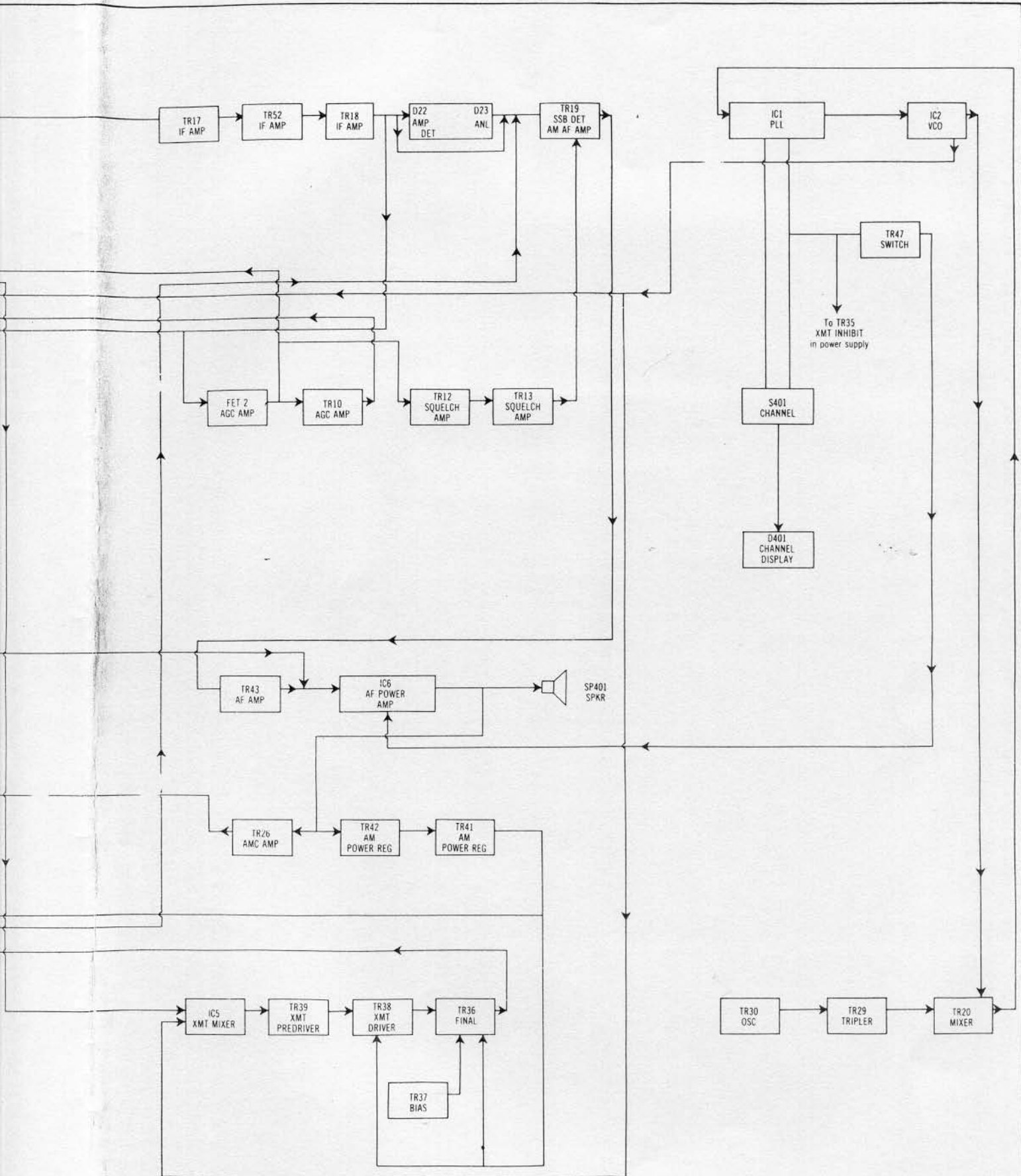


To S404-1, CB-PA Switch, Circuit trace 21 Power Supply Schematic





BLOCK DIAGRAM



BLOCK DIAGRAM