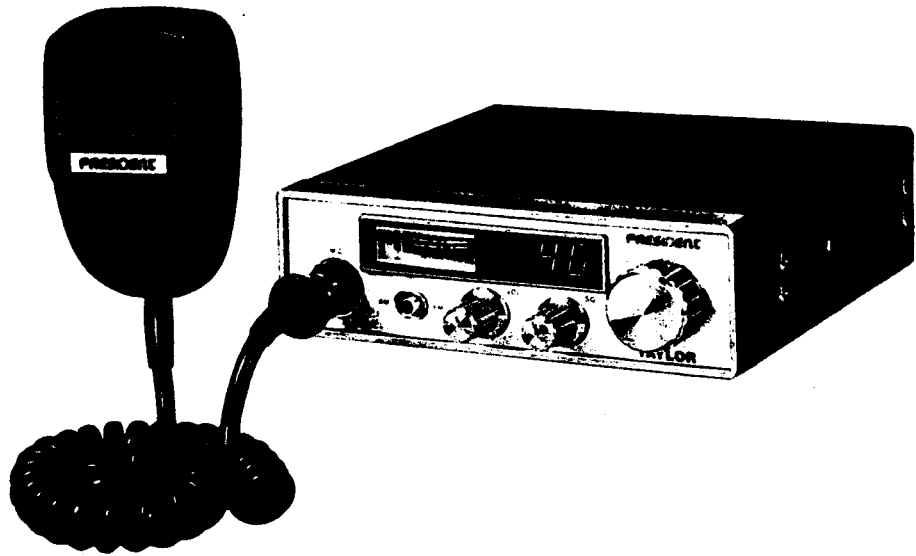


TAYLOR



www.cbradio.nl

thanks Homer

for sharing this file

PRESIDENT

SERVICE MANUAL

SPECIFICATIONS

GENERAL

Channels	40
Frequency Range	26.965 - 27.405 MHz
Frequency Control	PLL Synthesized
Antenna Impedance	50 ohm
Power Output	13.8 V DC
Accessories	Microphone, Microphone Hanger, Mounting Bracket.
Size (WxDxH)	150mmx150mmX45mm
Weight	1.2 kgs

TRANSMITTER

Output Power	4 watts
Emission Type	6A3
Hum and Noise	AM 50dB FM 45dB
Frequency Tolerance	0.002%
Modulation Percentage (Peak)	AM 100%
Max Deviation FM	3 KHz
Spurious Rejection	Better than -70dB

RECIEVER

Sensitivity at 10 dB S+N/N AM	0.5uV
Sensitivity at 20 dB S+N/N FM	1.0uV
Sensitivity at 500mW audio output	0.5uV
Squelch Threshold	0.5uV
Squelch Tight	1000uV
Signal Meter S-9	100uV
Audio Output Power (max)	5 watts
Audio Output Power (10% Dist.)	4 watts
Selectivity 6dB down	7 KHz
Adjacent Channel Rejection	60dB
Image Rejection	75dB
Speaker Impedance	16 ohm

CONTROLS AND THEIR FUNCTIONS

1. **RF POWER/ "S" METER:** This meter shows the Radio Frequency power when transmitting and the strength of the incoming signal when receiving. A change of the "S" unit indicates a change of 6dB in signal level. The metering circuit is calibrated so that for 100 microvolts, the "S" meter will read S-9.
2. **CHANNEL INDICATOR:** Light Emitting Diode (LED) indicates the channel number in use.
3. **PRESS TO TALK MICROPHONE:** The receiver and transmitter are controlled by the press-to talk switch on the microphone. The microphone provided with your radio is a detachable low impedance dynamic type.
4. **OFF/VOL.CONTROL:** Turn clockwise to apply power to the radio and to set the audio volume to the desired listening level.
5. **SQUELCH CONTROL:** This Squelch Control is rotated to cut off or eliminate received background noise in the absence of an incoming signal.
6. **AM/FM SWITCH:** This switch is used to select AM or FM.
7. **CHANNEL SELECTOR SWITCH:** This switch selects the desired channel for transmission and reception.
8. **ANTENNA CONNECTOR:** This female connector permits connection of the transmission line cable male connector (PL-259) to the transceiver.
9. **POWER CORD:** A power cord is supplied with the radio.
10. **EXTERNAL SPEAKER:** The external speaker jack (EXT.SP) on the rear panel is used for remote receiver monitoring. The external speaker should have 8 ohms impedance. When the external speaker is plugged in, the internal speaker is disconnected.

ALIGNMENT OF CARRIER OSCILLATOR

1. Test Equipment Required

Oscilloscope (50MHz)
Frequency Counter

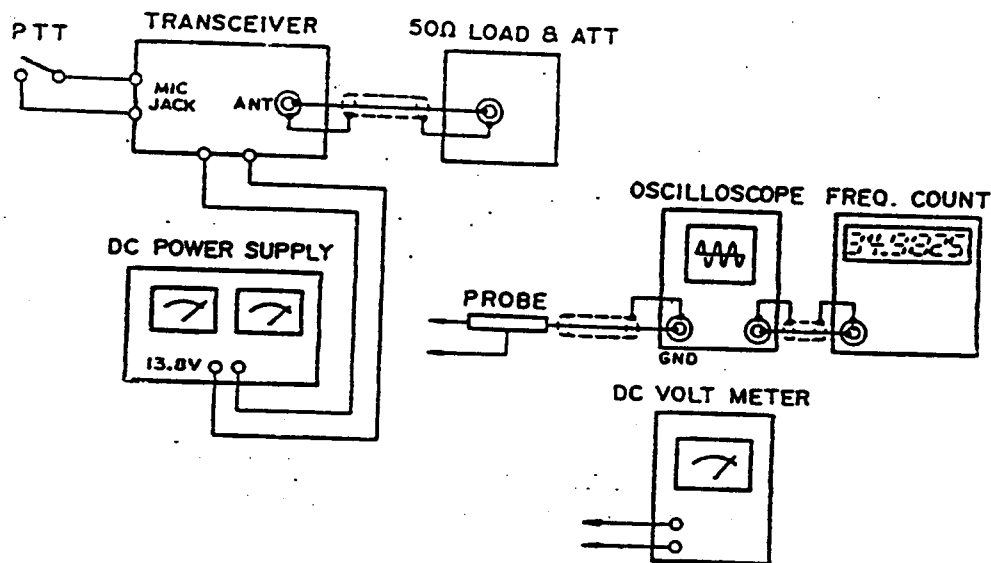
DC Power Supply

DC Voltmeter

2. Alignment Procedure

STEP	PRESET TO	ADJUSTMENT	REMARKS
1	CH : 40 Mode: TX NO Modulation	L12	Connect DC Voltmeter to TP-1(R62). Adjust for 3.5V \pm 0.1V on DC Voltmeter.
2	CH : 40 Mode: RX NO Modulation	L13	Connect Oscilloscope to TP-2(R8). Adjust for maximum reading on Oscilloscope.

3. Test Equipment Connection



ALIGNMENT OF RECEIVER

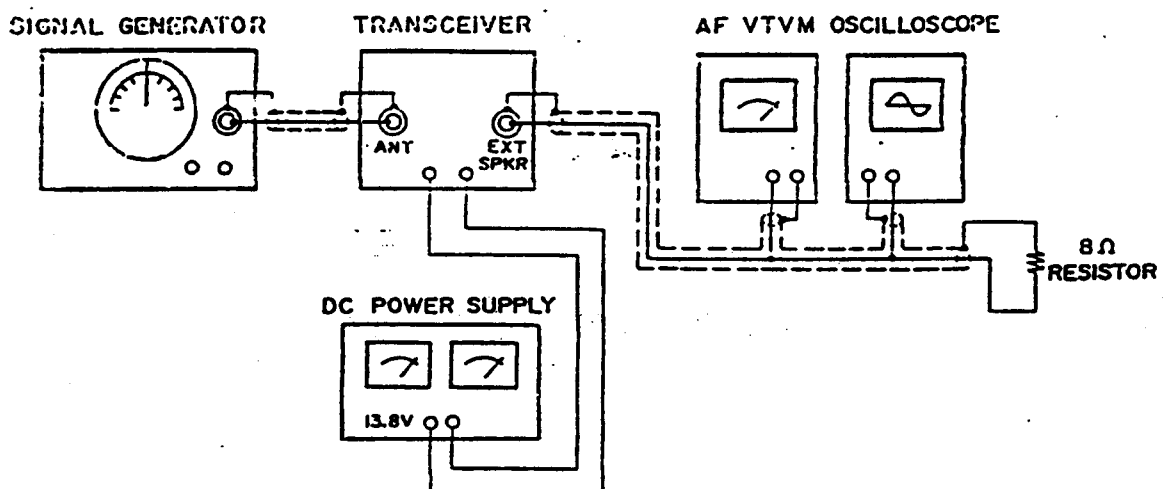
1. Test Equipment Required

Oscilloscope (50MHz)	DC Power Supply	RF Signal Generator
AC Voltmeter	8 ohm Load	

2. Alignment Procedure

STEP	PRESET TO	ADJUSTMENT	REMARKS
1	VOL: Max. SQ.: Min. CH: 19 ANL: OFF	L4, L3, L2 and L1	Connect SSG(27.185MHz) to J501. And connect AC Voltmeter to EXT. SP Jack(J3.) Then adjust coils for maximum reading on AC voltmeter.
2	Same as Step 1	VR1	Set the level of SSG to 100uV. Adjust for "S-9" reading on Transceiver's Meter.
3	Same as Step 1 except SQ: MAX.	VR2	Set the level of SSG to 1000uV. Adjust semi-fixed resistor so that the AF output signal is 2V.
4	Same as Step 1 except MODE: FM	L501	Set the level of SSC to 100uV. Adjust for maximum reading on AC voltmeter.

3. Test Equipment Connection



ALIGNMENT OF TRANSMITTER

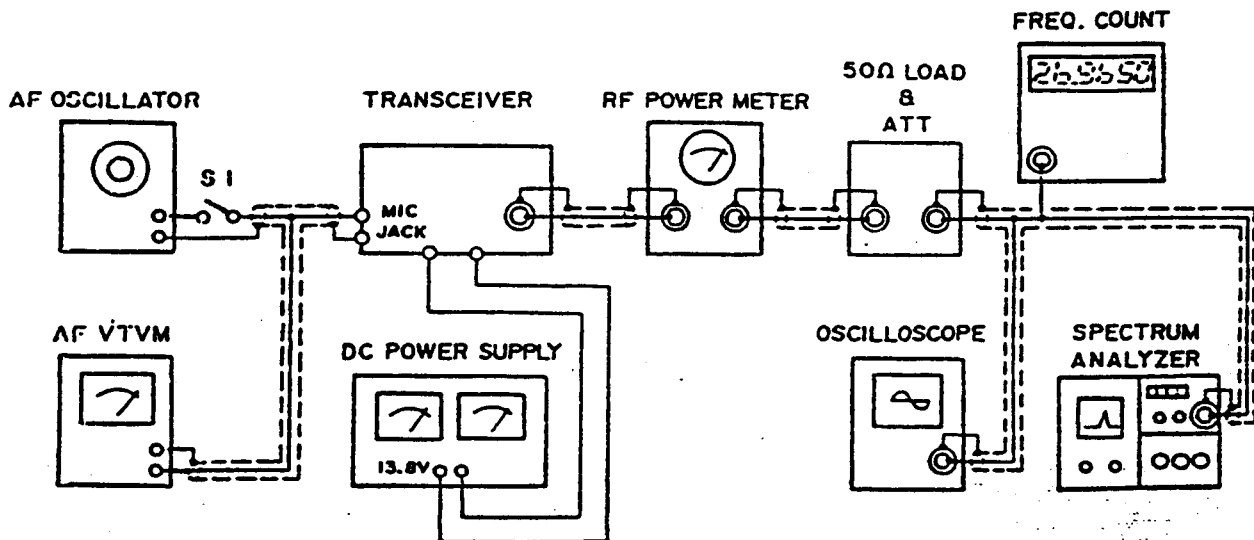
1. Test Equipment Required

Oscilloscope (50MHz)	DC Power Supply	AC Volt meter
RF Power Meter	Frequency Counter	Deviation Meter
50 ohm Load	Audio Oscillator	

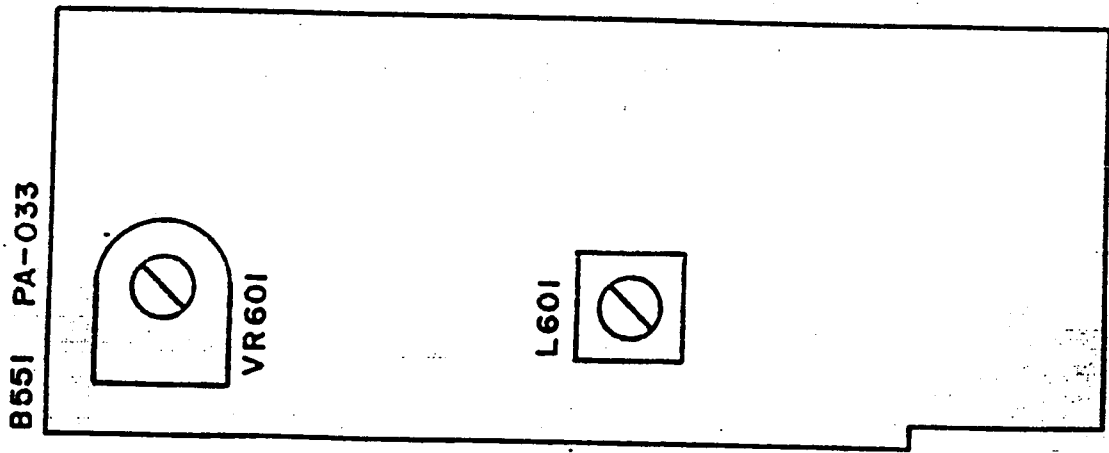
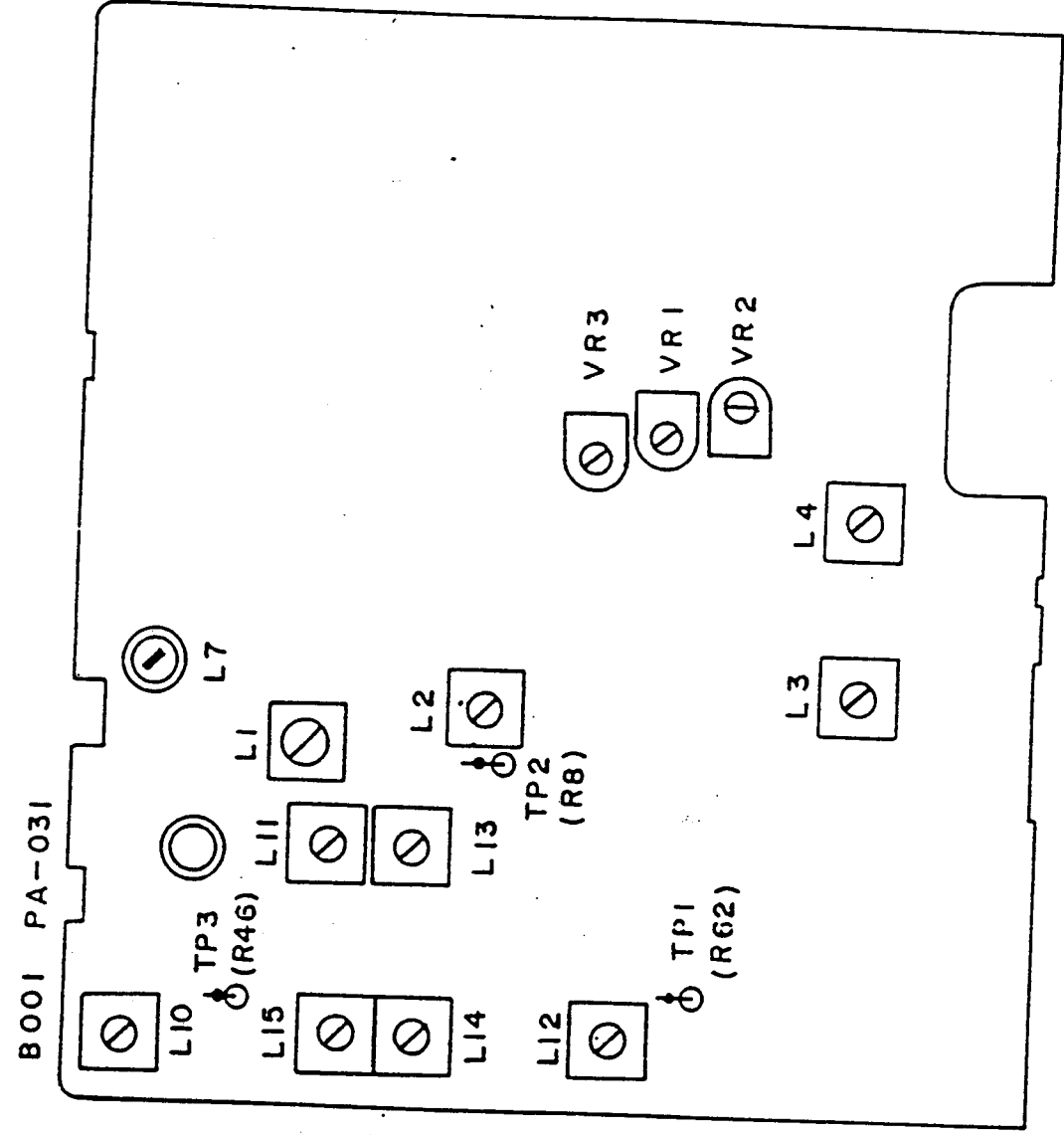
2. Alignment Procedure

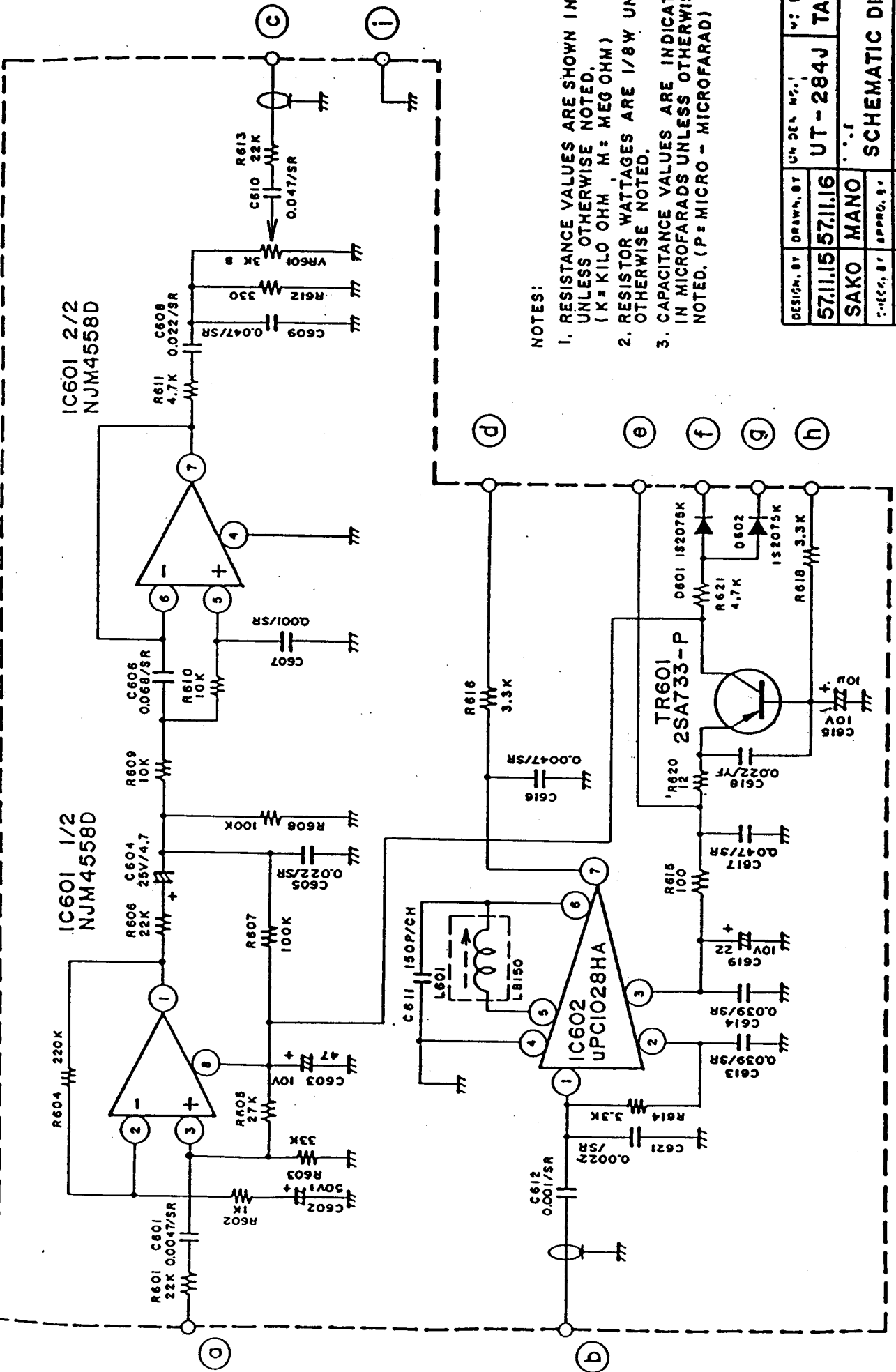
STEP	PRESET TO	ADJUSTMENT	REMARKS
1	NO Modulation CH: 19 Mode: AM	L11, L14 and L15	Connect Oscilloscope to TP-3(R46). Adjust for maximum reading on Oscilloscope.
2	Same as STEP 1	L10, L11 and L7	Connect RF Power Meter to ANT Jack (J501). Adjust for maximum reading on RF Power Meter.
3	Same as Step 1	L7	Adjust for 4.0 W reading on RF Power Meter.
4	Same as Step 1	VR3	Adjust the needle to blank zone between Green and Red on Trans- ceiver's Meter.
5	Mode: FM CH: 1	VR601	Set Mic input to 30mV. Connect Deviation Meter to ANT Jack. Adjust for 3.5kHz Deviation.

3. Test Equipment Connection



+++++++ ALIGNMENT POINTS +++++++





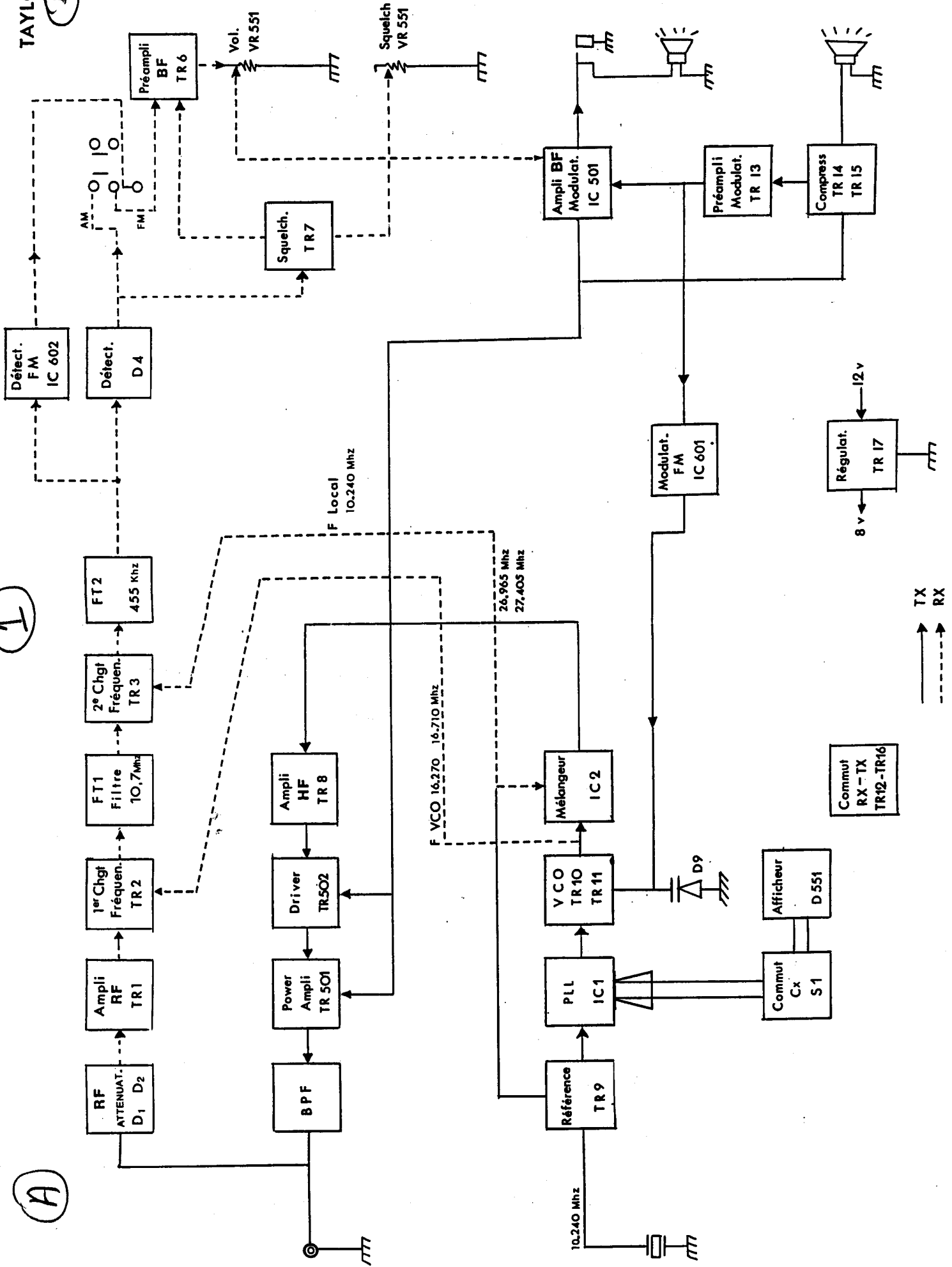
NOTES:

1. RESISTANCE VALUES ARE SHOWN IN OHMS UNLESS OTHERWISE NOTED. (K = KILO OHM, M = MEG OHM)
2. RESISTOR WATTAGES ARE 1/8W UNLESS OTHERWISE NOTED.
3. CAPACITANCE VALUES ARE INDICATED IN MICROFARADS UNLESS OTHERWISE NOTED. (P = MICRO - MICROFARAD)

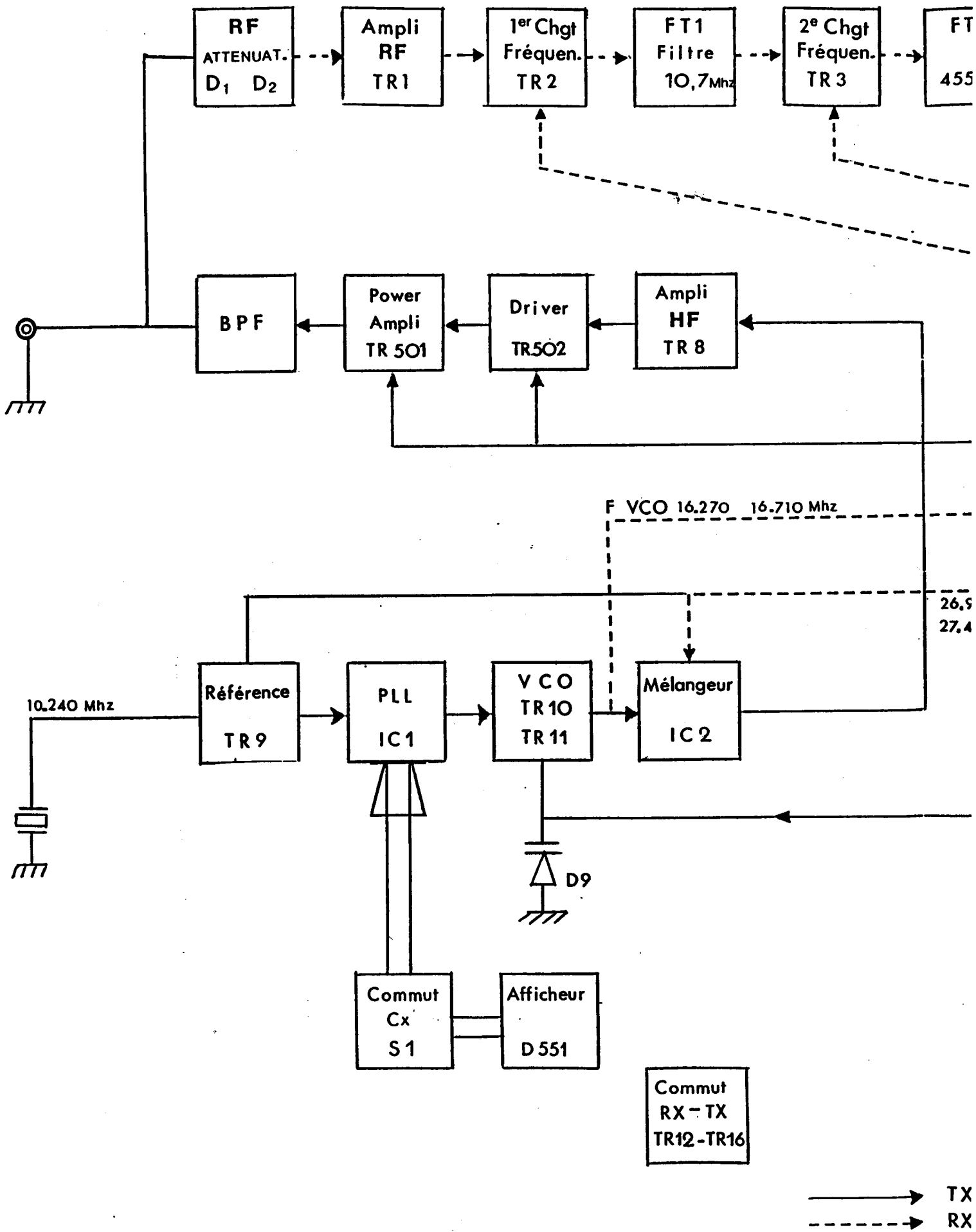
DESIGN. BY	DRAWN. BY	UN DEN. NO.	REV.
57.11.15	57.11.16	UT-284J	TAYLOR
SAKO	MANO		
CHECK. BY	APPRO. BY		
SCHEMATIC DIAGRAM			
DRAWING NO.			E14-2096

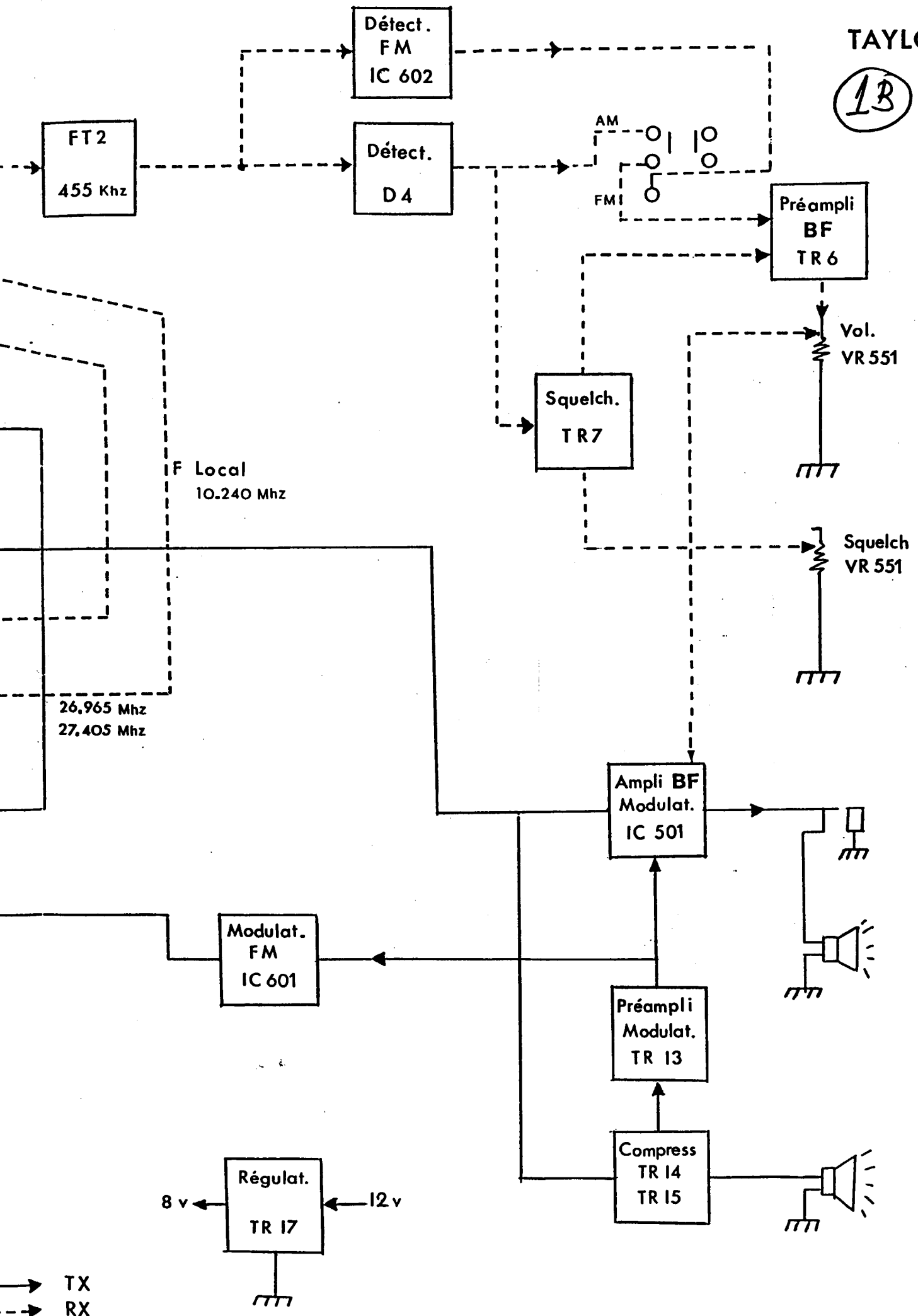
1

(A)



1A

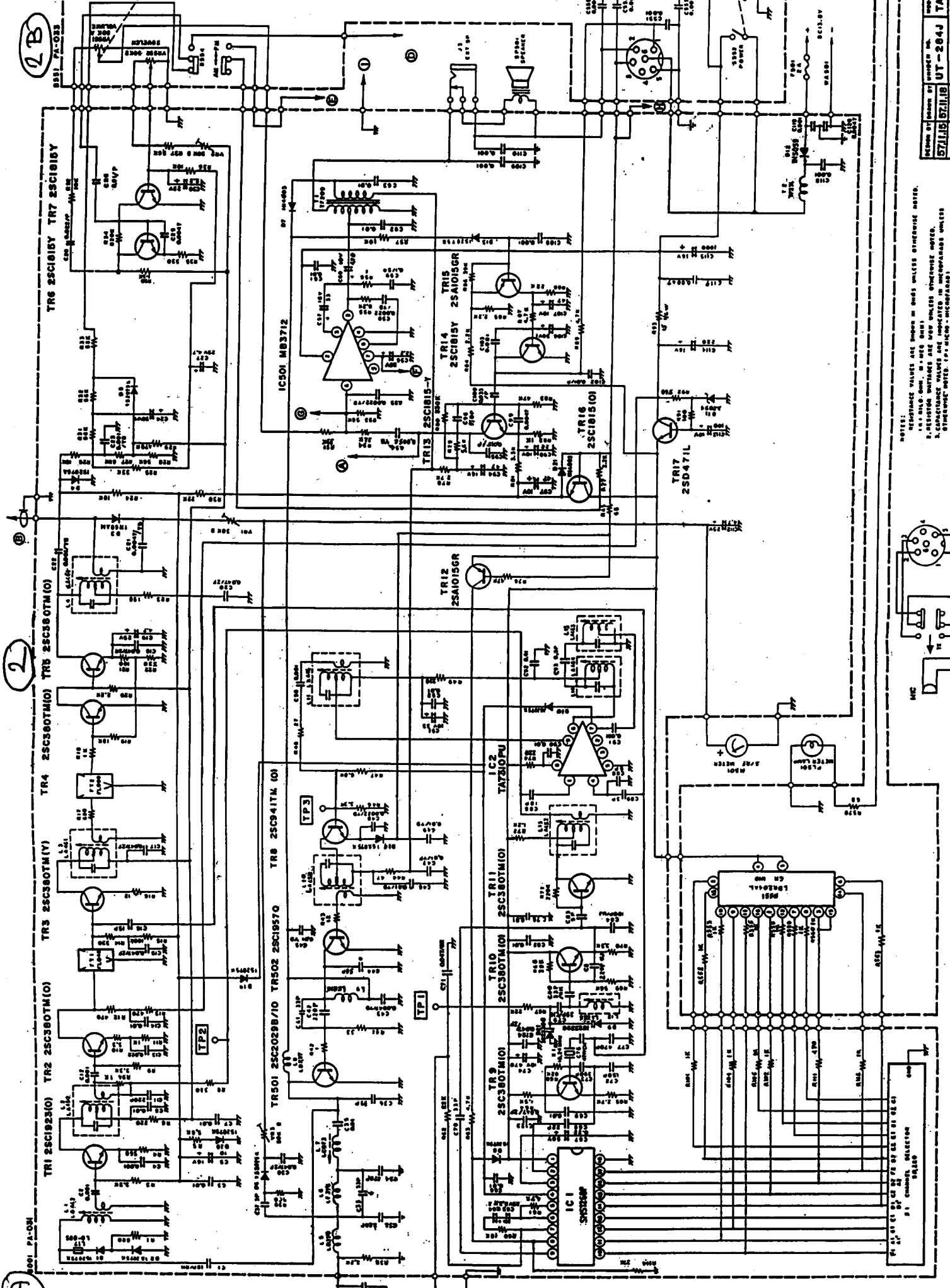




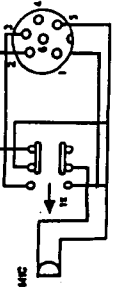
2A

2

2B



NOTES:
 1. RESISTANCE VALUES ARE SHOWN IN OHMS UNLESS OTHERWISE NOTED.
 2. CAPACITANCE VALUES ARE SHOWN IN MICROFARADS UNLESS OTHERWISE NOTED.
 3. ALL COMPONENTS ARE TO BE INSTALLED IN ACCORDANCE WITH THE SCHEMATIC DIAGRAM.
 4. ALL COMPONENTS ARE SUBJECTS TO CHANGE WITHOUT NOTICE.

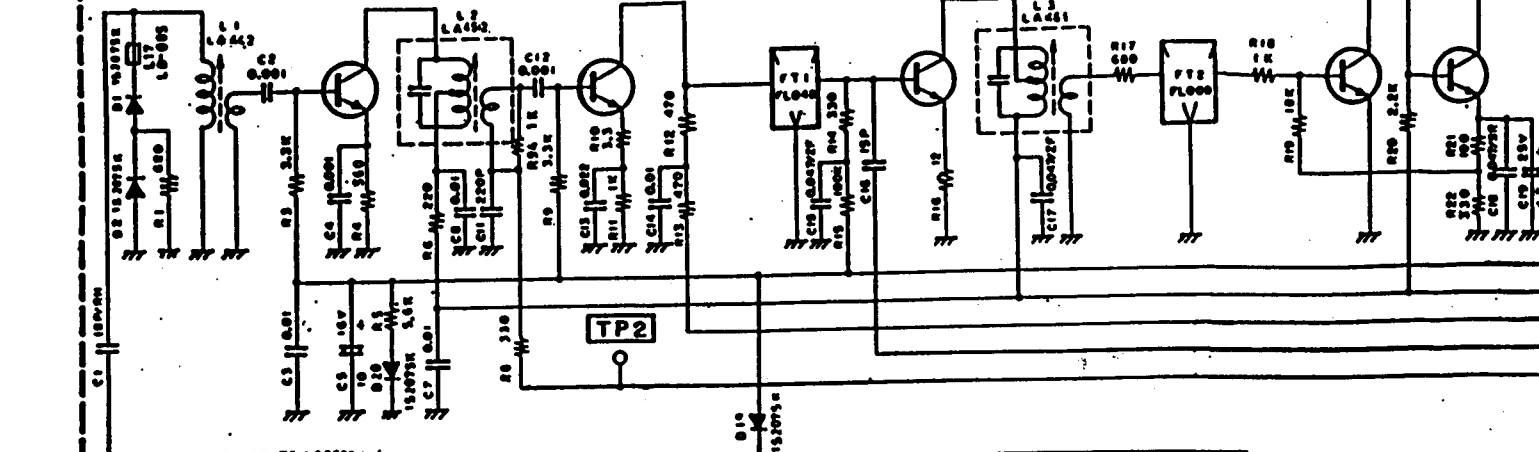


DESIGNED BY	UT-264J	WORK
DRAWN BY	TAYL	
CHECKED BY		
SAKO	MANO	TITLE
SAKO	MANO	UT-264J
SAKO	MANO	TAYL
SAKO	MANO	TAYL

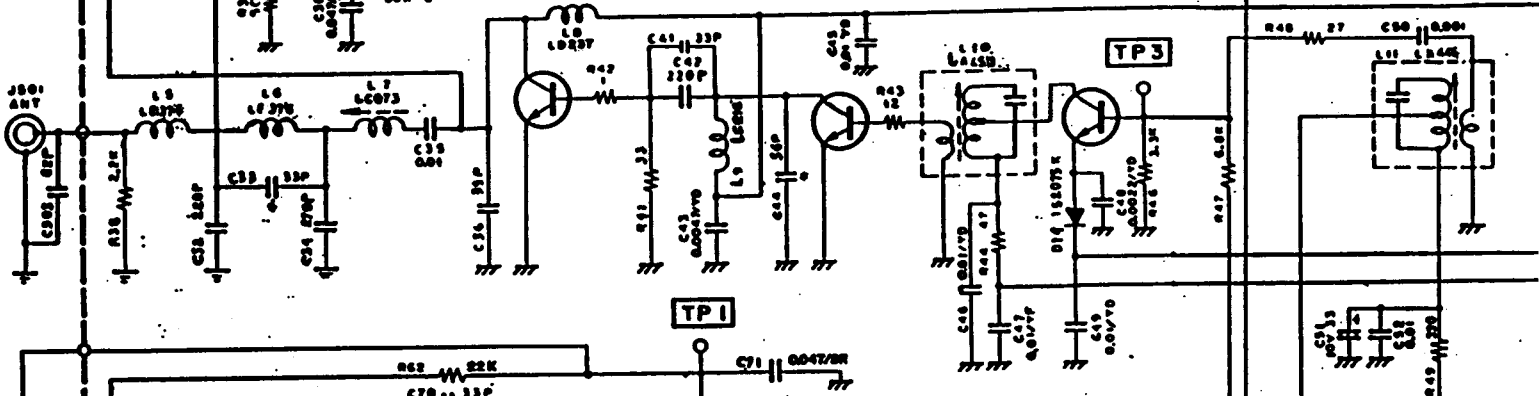
SCHEMATIC DIAG

0001 PA-031

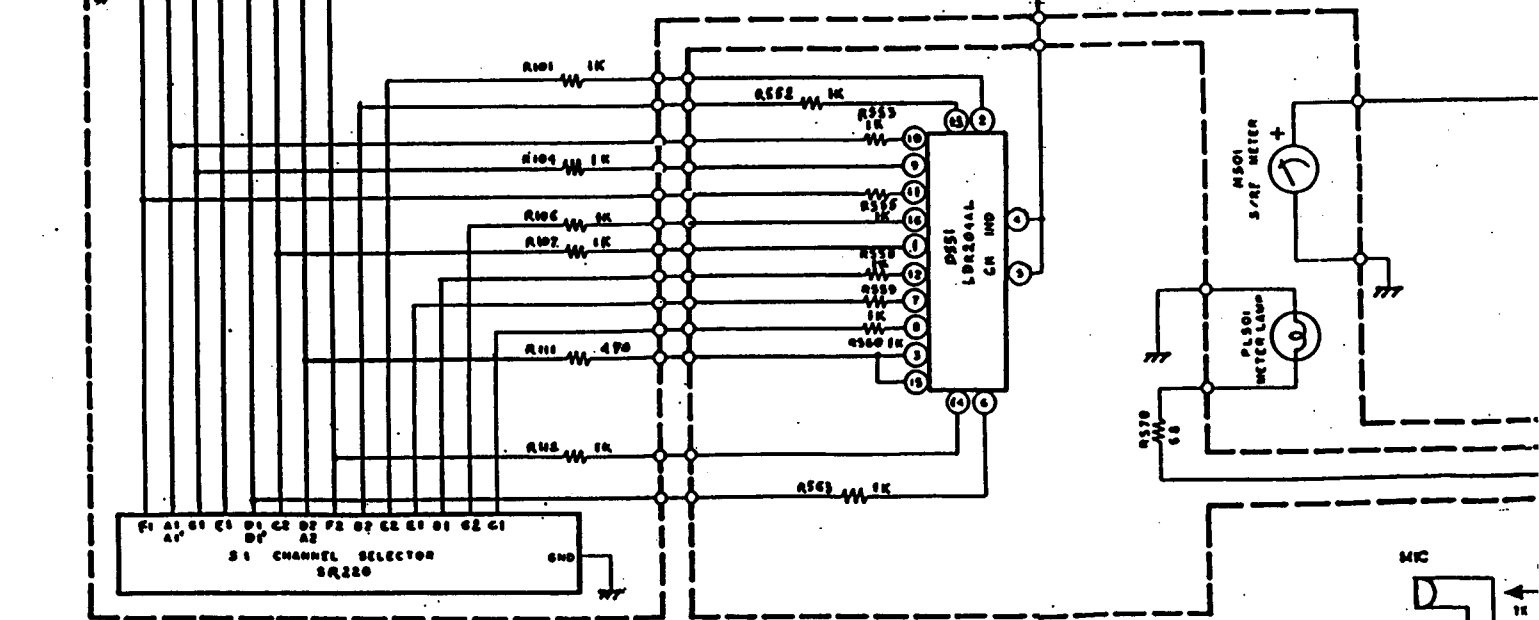
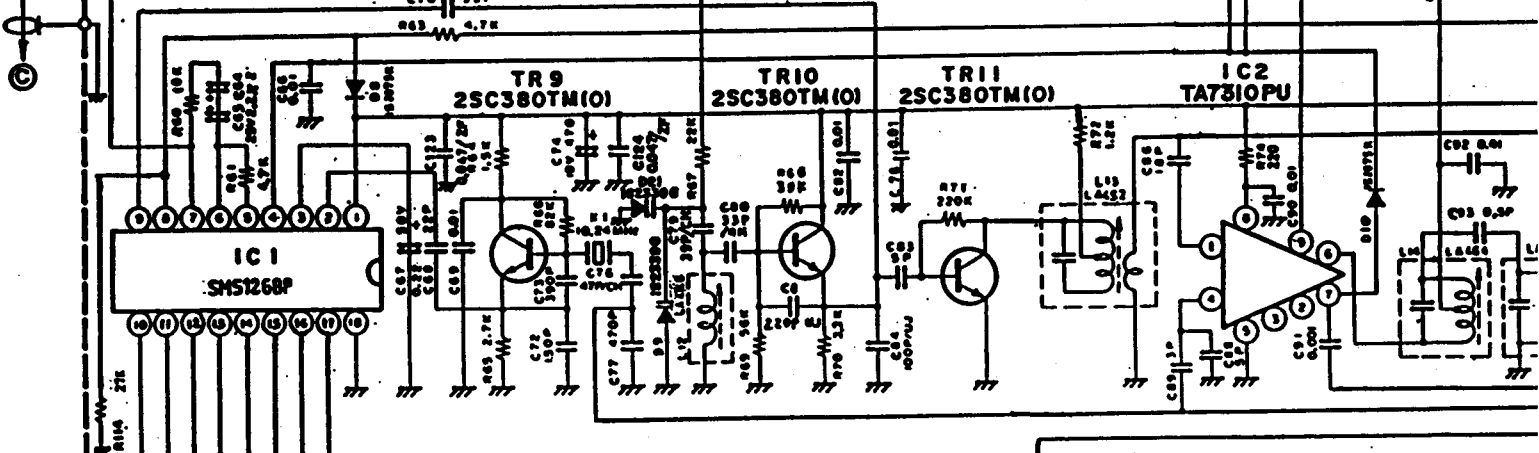
TR1 2SC1923(O) TR2 2SC380TM(O) TR3 2SC380TM(Y) TR4 2SC380TM(O) TR5 2SC1923(O)

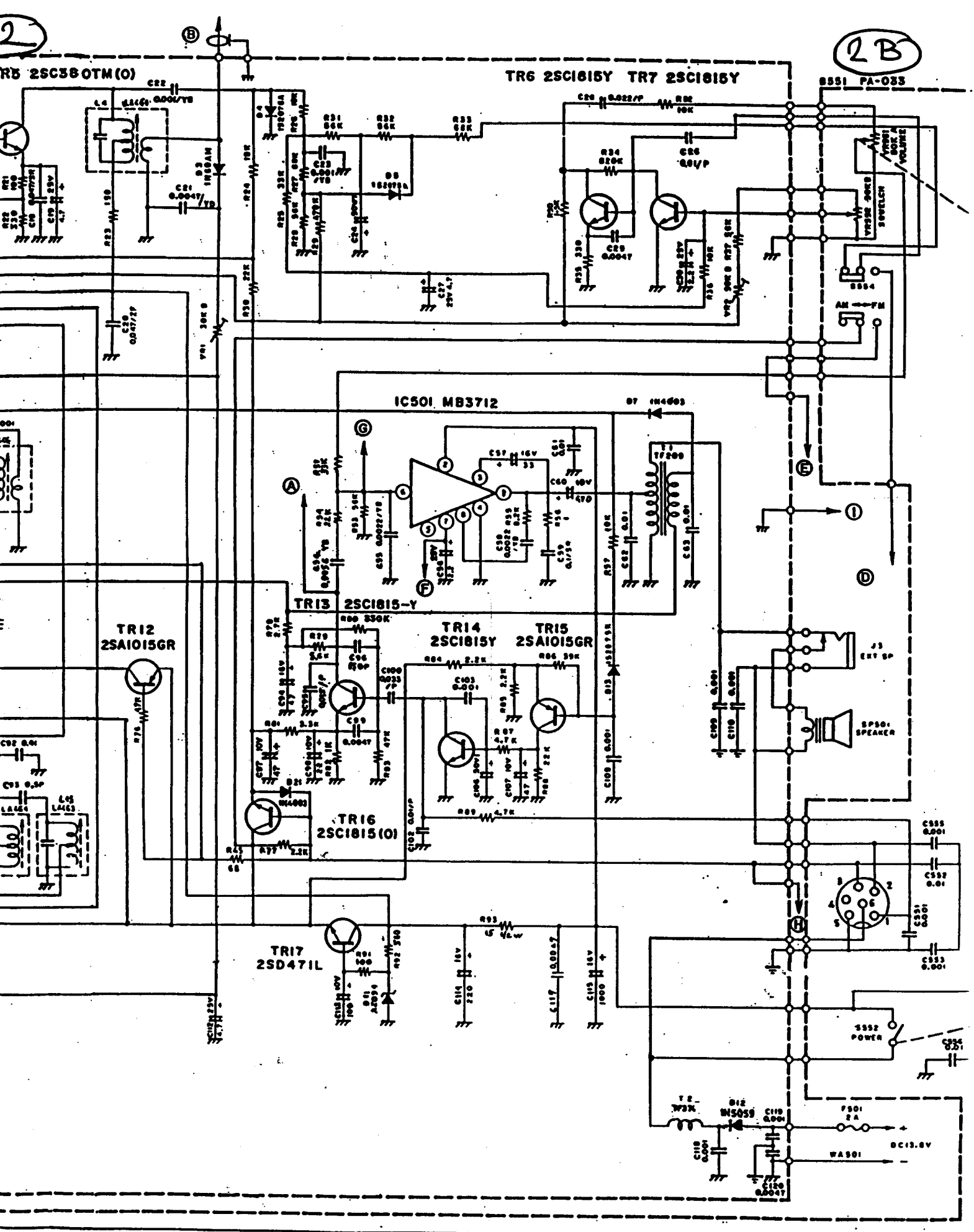


TR501 2SC2029B/I0 TR502 2SC1957O TR6 2SC941TM (O)



TR9 2SC380TM(O) TR10 2SC380TM(O) TR11 2SC380TM(O) IC2 TA7510PU





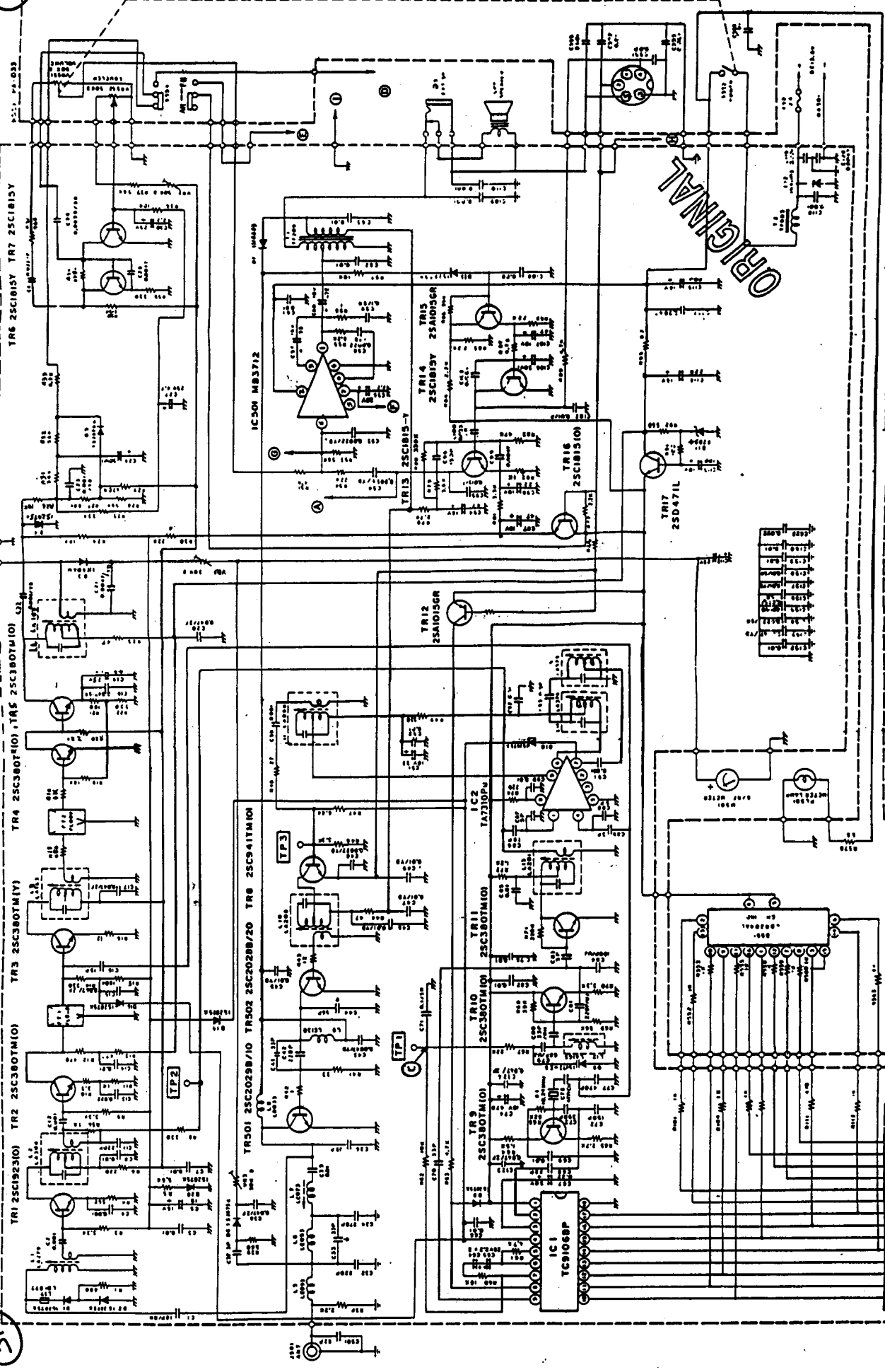
NOTES:
 1. RESISTANCE VALUES ARE SHOWN IN OHMS UNLESS OTHERWISE NOTED.
 K = KILO-OHMS, M = MEG OHMS
 2. RESISTOR WATTAGES ARE MW UNLESS OTHERWISE NOTED.
 3. CAPACITANCE VALUES ARE INDICATED IN MICROFARADS UNLESS OTHERWISE NOTED. μ = MICRO-MICROFARAD
 4. ALL CAPACITORS TEMPERATURE CHARACTERISTICS ARE SLICLESS THAN 100PPM OR VF MORE THAN 100PPM UNLESS OTHERWISE NOTED.
 5. * COMPONENTS ARE SUBJECTS TO CHANGE WITHOUT NOTICE.

DESIGN BY	DRAWN BY	UNIDEN NO.	MODEL
57.11.15	57.11.18	UT-284J	TAYL
SAKO	MANO	TITLE	
CHECK BY	APPRO BY	SCHEMATIC DIAG	

TAYLOR 3B

3

3A



REVISIONS

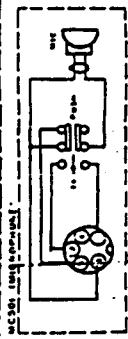
1. REVISIONS MADE BY: [] DATE: []

2. REVISIONS MADE BY: [] DATE: []

3. REVISIONS MADE BY: [] DATE: []

4. REVISIONS MADE BY: [] DATE: []

5. REVISIONS MADE BY: [] DATE: []

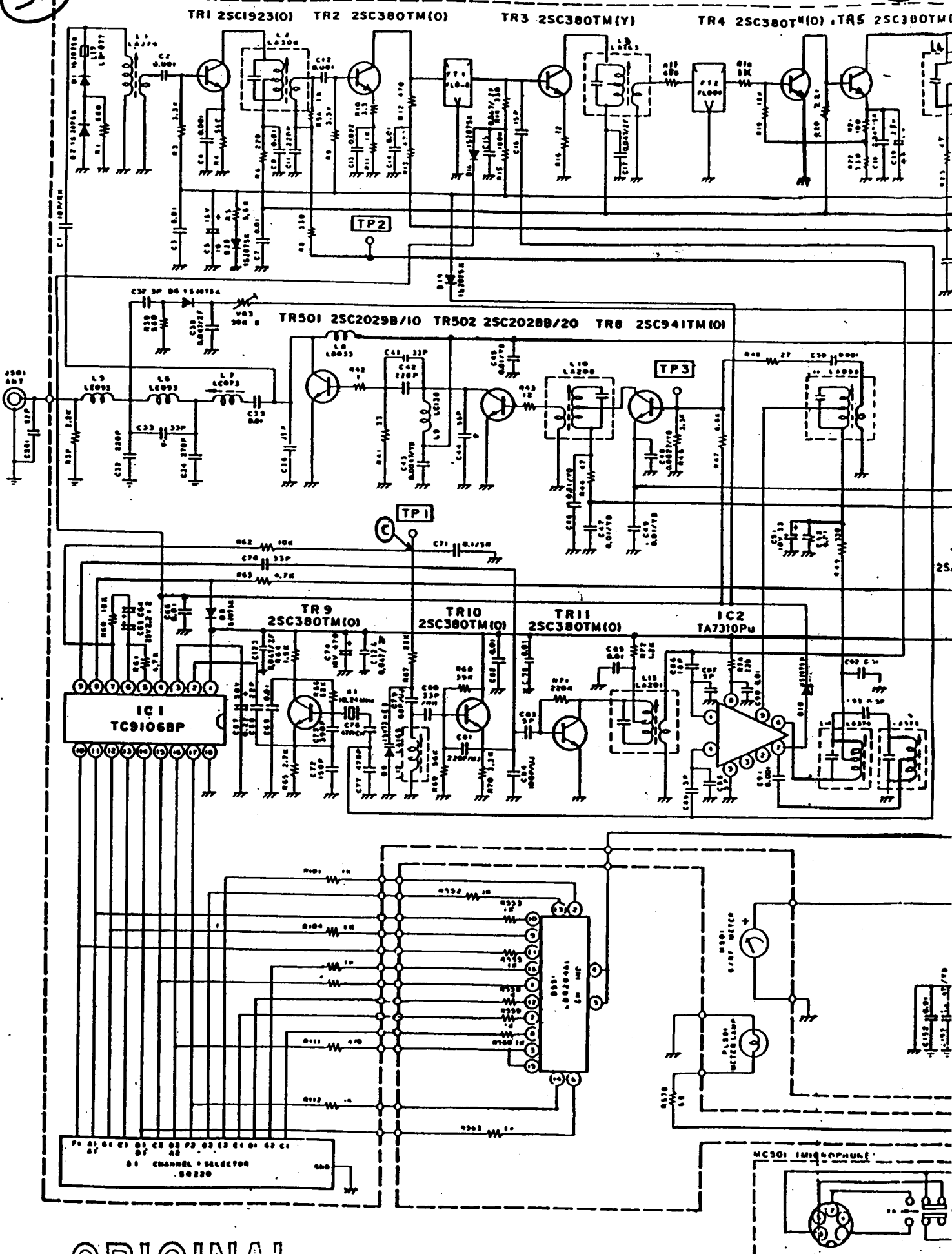


DATE	BY	REVISION
1964	UT-204J	TAYLOR
1964	SAKO MAND	SCHEMATIC DIAGRAM
1964	UT-2095	SCHEMATIC DIAGRAM

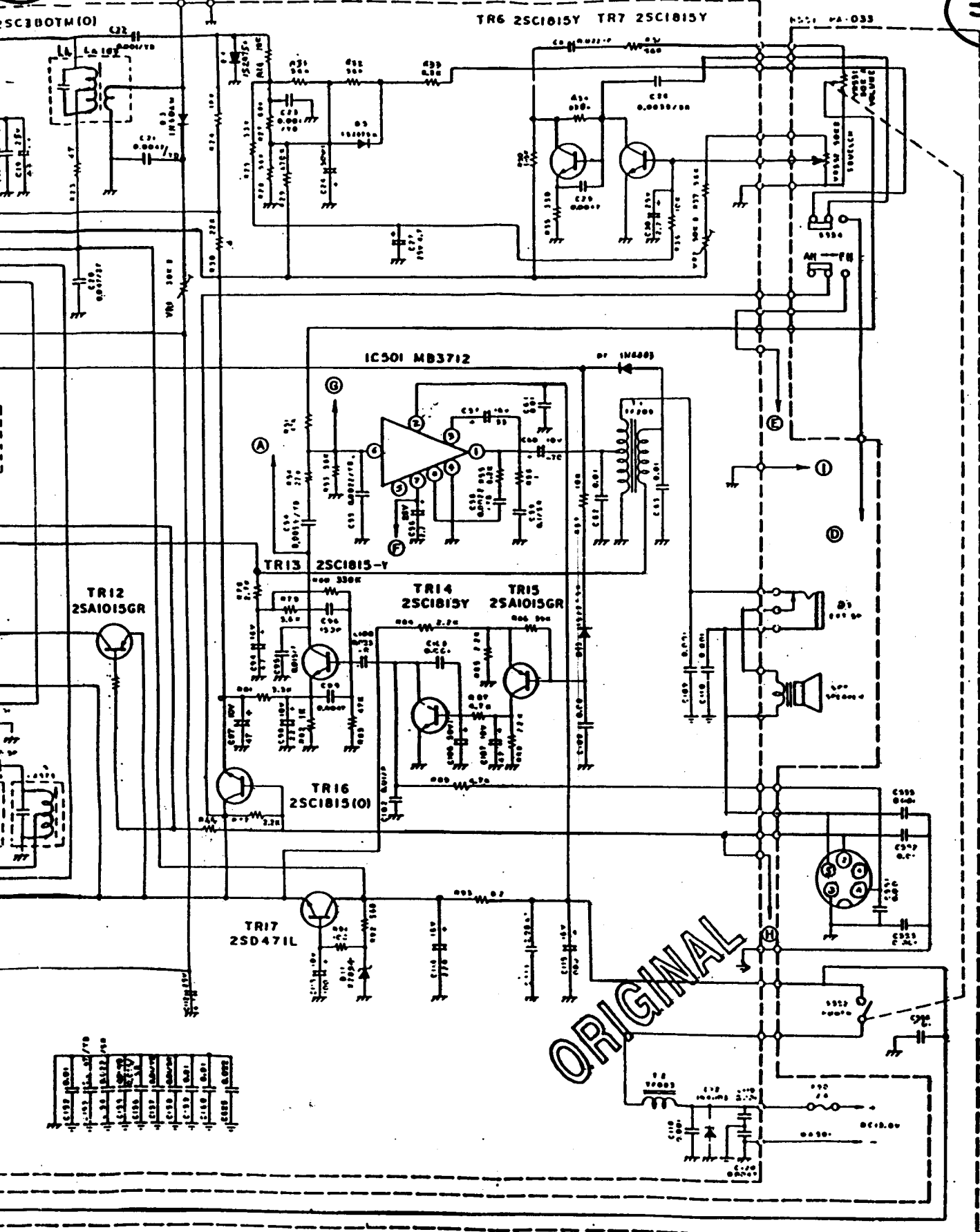
ORIGINAL

3A

3



ORIGINAL

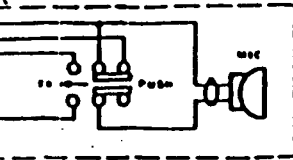


ORIGINAL

0.001	0.002	0.005	0.01	0.02	0.05	0.1	0.2	0.5	1	2	5	10	20	50	100	200	500	1000
-------	-------	-------	------	------	------	-----	-----	-----	---	---	---	----	----	----	-----	-----	-----	------

NOTES:

- RESISTANCE VALUES ARE SHOWN IN OHMS UNLESS OTHERWISE NOTED.
- RESISTOR VALUES ARE SHOWN IN OHMS UNLESS OTHERWISE NOTED.
- CAPACITANCE VALUES ARE SHOWN IN MICROFARADS UNLESS OTHERWISE NOTED.
- ALL CAPACITORS TEMPERATURE COEFFICIENTS ARE AS LISTED UNLESS OTHERWISE NOTED.
- ALL COMPONENTS ARE SUBJECT TO CHANGE WITHOUT NOTICE.

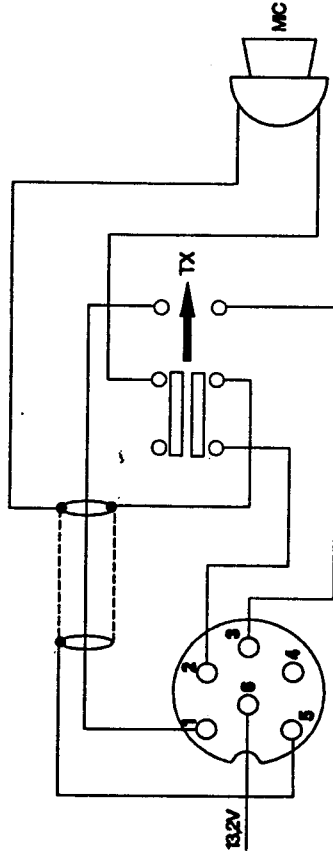


DESIGN BY	DRAWN BY	WELDED BY	MODEL NO
57.11.15	57.11.16	UT-284J	TAYLOR
SAKO	MANO	DATE	
ENGINEER	APPROVED BY	SCHEMATIC DIAGRAM	
		DRAWING NO	REV
		E12-2095	MADE

BRANCHEMENT PRISE MICRO 6 BROCHES NC 518

N° BROCHES · DESIGNATION CABLES

N° BROCHES	DESIGNATION CABLES
1	Modulation
2	RX
3	TX
4	Non connectée
5	Masse
6	Alimentation



ATTENTION BIEN VERIFIER LE BRANCHEMENT DE LA BROCHE 6

BRANCHEMENT PRISE MICRO DIN 5 BROCHES

N° BROCHES DESIGNATION CABLES

N° BROCHES	DESIGNATION CABLES
1	Modulation
2	TX
3	Masse
4	Non connectée
5	RX

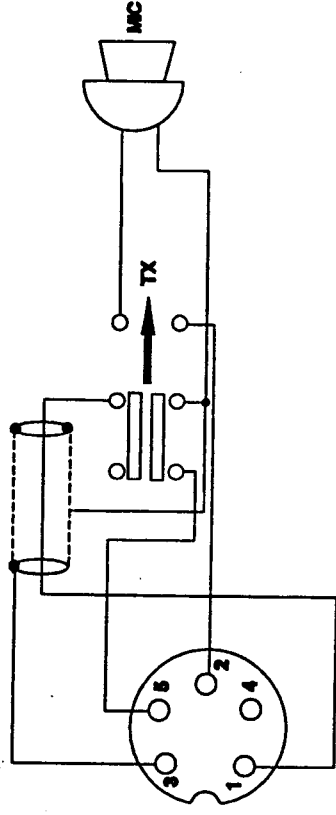


TABLEAU DE TENSION

TRANSISTORS

		R X			T X			
		B	E	C	B	E	C	
1	RF AMP	1.4	0.7	7.4	0.2	0.2	0.6	
2	1st MIX	1.5	0.9	12.0	0.1	0.0	12.3	
3	2nd	0.6	0.0	7.7	0.1	0.0	0.6	
4	2nd IF AMP	0.7	0.0	2.4	0.0	0.0	0.6	
5	2nd IF AMP	2.4	1.7	12.6	0.6	0.0	13.0	
6	SQ	MIN	0.0	0.0	1.0	0.0	0.5	
		MAX	0.6	0.0	0.0	0.2	0.0	0.5
7	SQ	MIN	1.0	0.3	6.1	0.3	0.0	0.6
		MAX	0.0	0.0	7.7	0.5	0.0	0.6
8	TX BUFFER	8.4	3.4	13.7	2.0	1.3	13.1	
9	XTAL OSC	4.7	4.4	6.4	4.7	4.4	6.4	
10	PLL VCO	4.5	4.1	8.9	4.5	4.1	8.9	
11	VCO BUFFER	0.6	0.0	5.9	0.5	0.0	5.9	
12	TX SWITCHING	8.4	8.9	1.2	8.9	8.3	8.9	
13	MIC AMP	2.8	3.1	13.5	2.1	1.5	7.1	
14	AMC AMP	4.4	4.4	0.0	4.4	4.5	0.0	
15	AMC AMP	0.0	0.0	0.0	0.0	0.0	0.0	
16	RX SWITCHING	8.9	0.0	8.3	0.0	8.9	1.1	
17	REG	9.5	8.9	12.8	9.6	8.9	13.0	
501	TX POWER	0.0	0.0	13.8	0.0	0.0	13.3	
502	TX DRIVER	0.0	0.0	0.0	0.0	0.0	13.3	
601	FM SWITCHING	8.4	8.5	0.0	8.4	8.4	7.7	

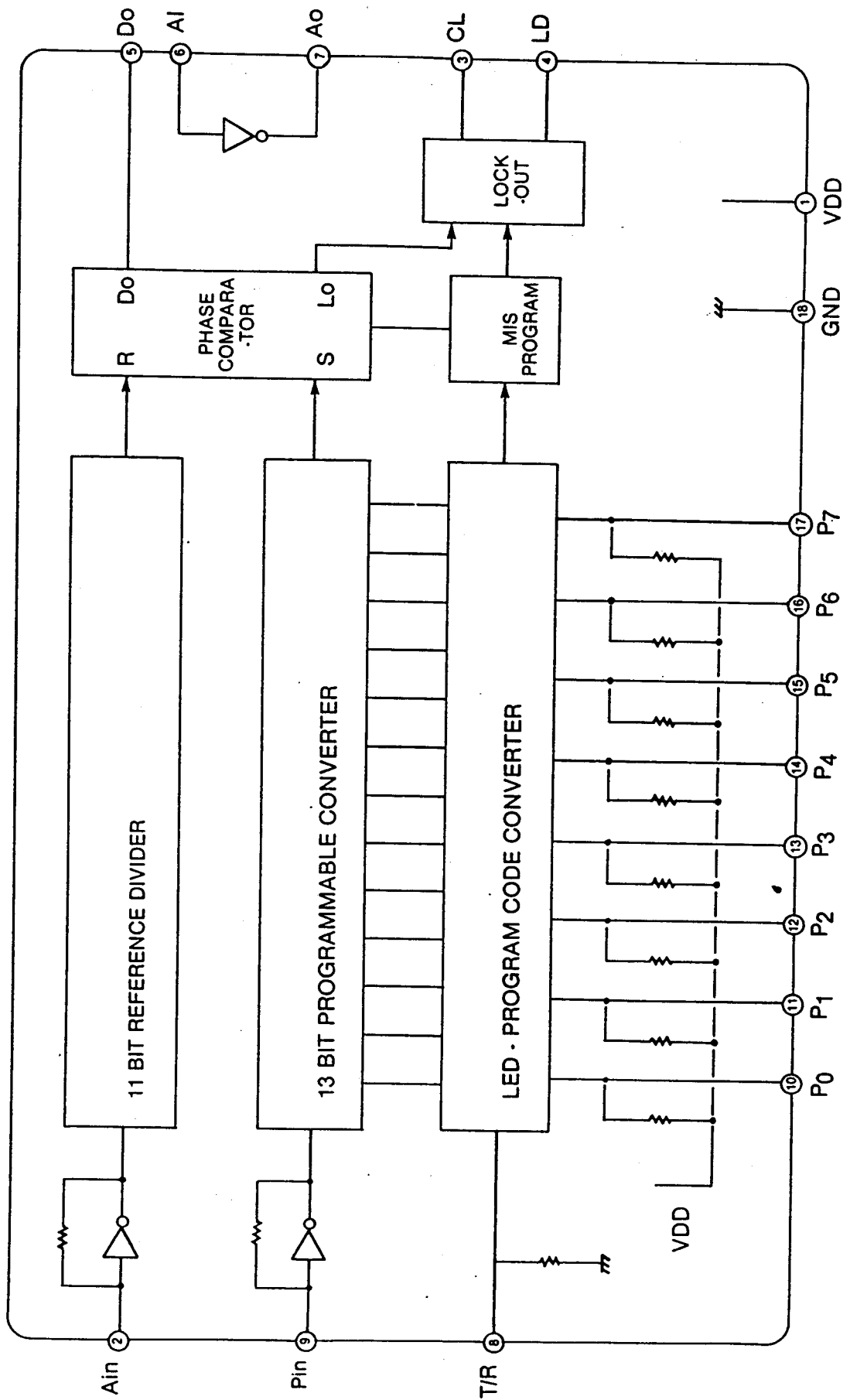
TABLEAU DE TENSION

CIRCUITS INTEGRES

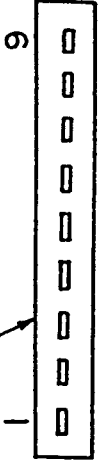
IC. N°	IC. PIN. N°	R X		T X	
501 AMPLIFICA- TEUR BF	1	6.7	V	6.6	V
	2	13.7	V	13.6	V
	3	13.1	V	13.0	V
	4	0	V	0	V
	5	0.1	V	0.1	V
	6	0	V	0	V
	7	0.6	V	0.6	V
	8	0.6	V	0.6	V
2 MIXEUR EMISSION	1	2.6	V	2.6	V
	2	2.1	V	2.1	V
	3	1.3	V	1.3	V
	4	1.7	V	2.6	V
	5	0	V	0	V
	6	1.2	V	8.7	V
	7	2.1	V	2.1	V
	8	4.6	V	4.8	V
	9	1.3	V	7.2	V
1 P L L	1	8.9	V	8.8	V
	2	3.8	V	6.8	V
	3	0	V	6.6	V
	4	5.8	V	5.8	V
	5	6.2	V	6.3	V
	6	6.2	V	6.3	V
	7	0	V	0.2	V
	8	4.7	V	8.7	V
	9	7.0	V	7.1	V
	10	0	V	0	V
	11	0	V	8.8	V
	12	0	V	0	V
	13	8.7	V	8.7	V
	14	8.7	V	8.8	V
	15	0	V	8.8	V
	16	8.7	V	8.8	V
	17	8.7	V	8.8	V
	18	0	V	0	V
601 AMPLI MICRO	1	0	V	4.6	V
	2	0	V	4.6	V
	3	0	V	4.6	V
	4	0	V	0	V
	5	0	V	4.2	V
	6	0	V	4.2	V
	7	0	V	4.2	V
	8	0	V	8.4	V
602 DEMODULA- TEUR FM	1	1.3	V	1.3	V
	2	1.3	V	1.3	V
	3	7.5	V	7.5	V
	4	0	V	0	V
	5	3.3	V	3.5	V
	6	3.4	V	3.5	V
	7	5.5	V	3.8	V

SANS MODULATION - MESURE EFFECTUE CANAL 19
ALIMENTATION 13.8 Volts continus

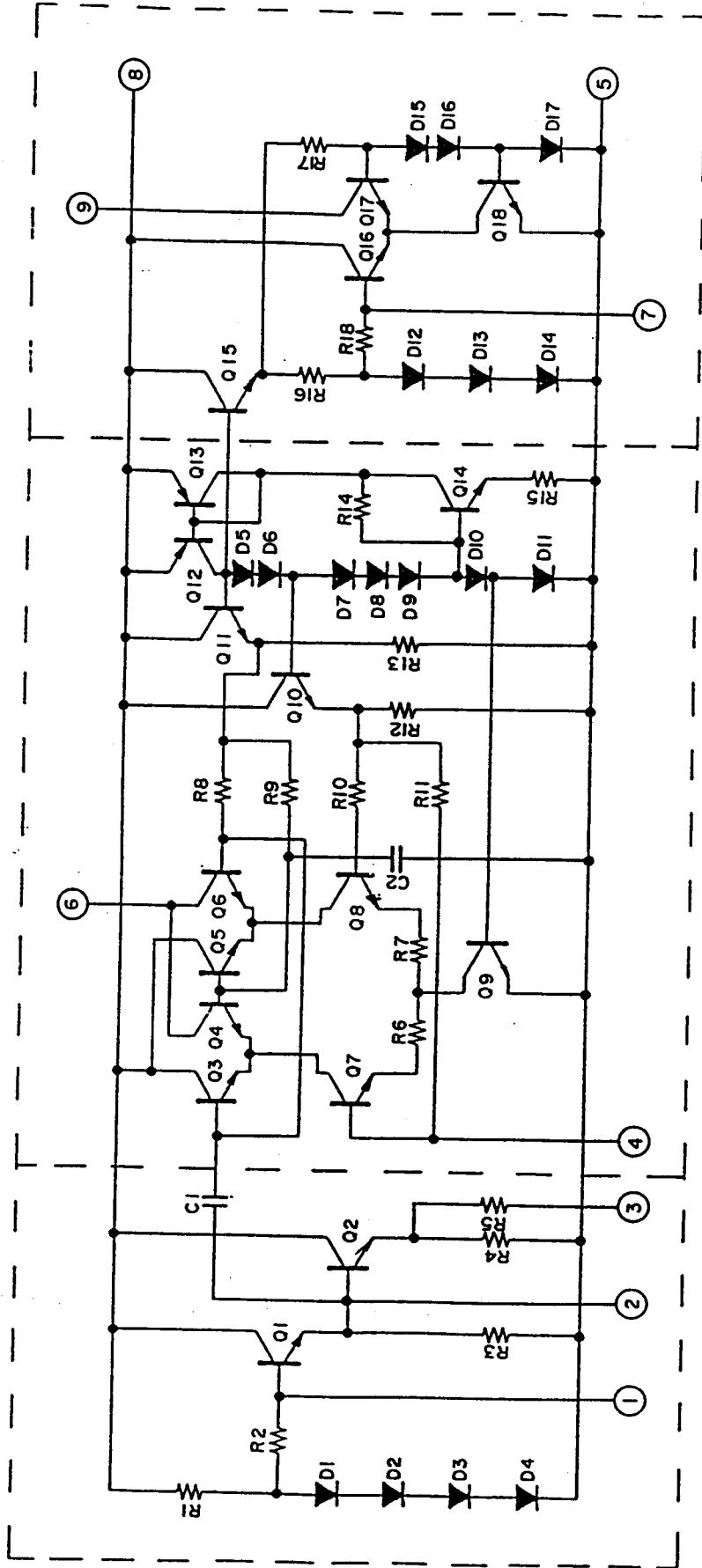
TC. 9106 PLL BLOCK DIAGRAM (IC 1)

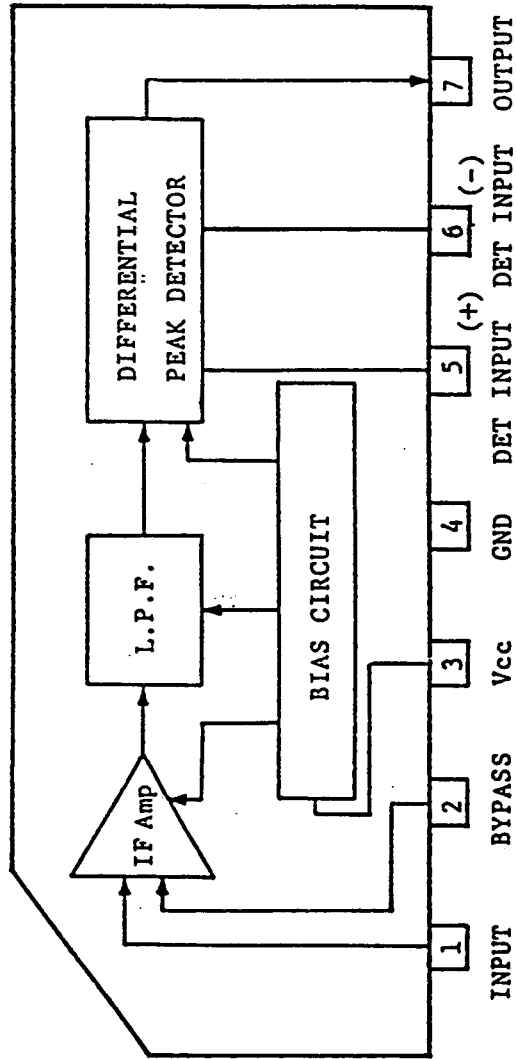


MARKING SIDE



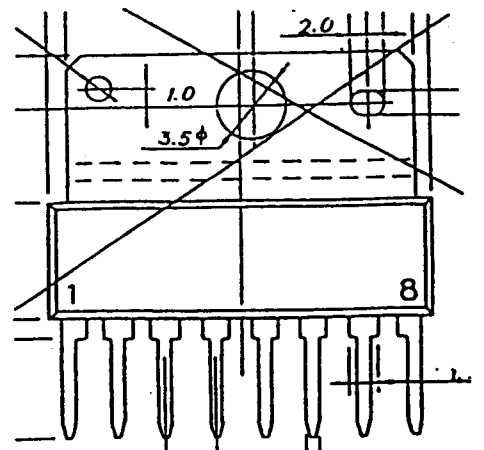
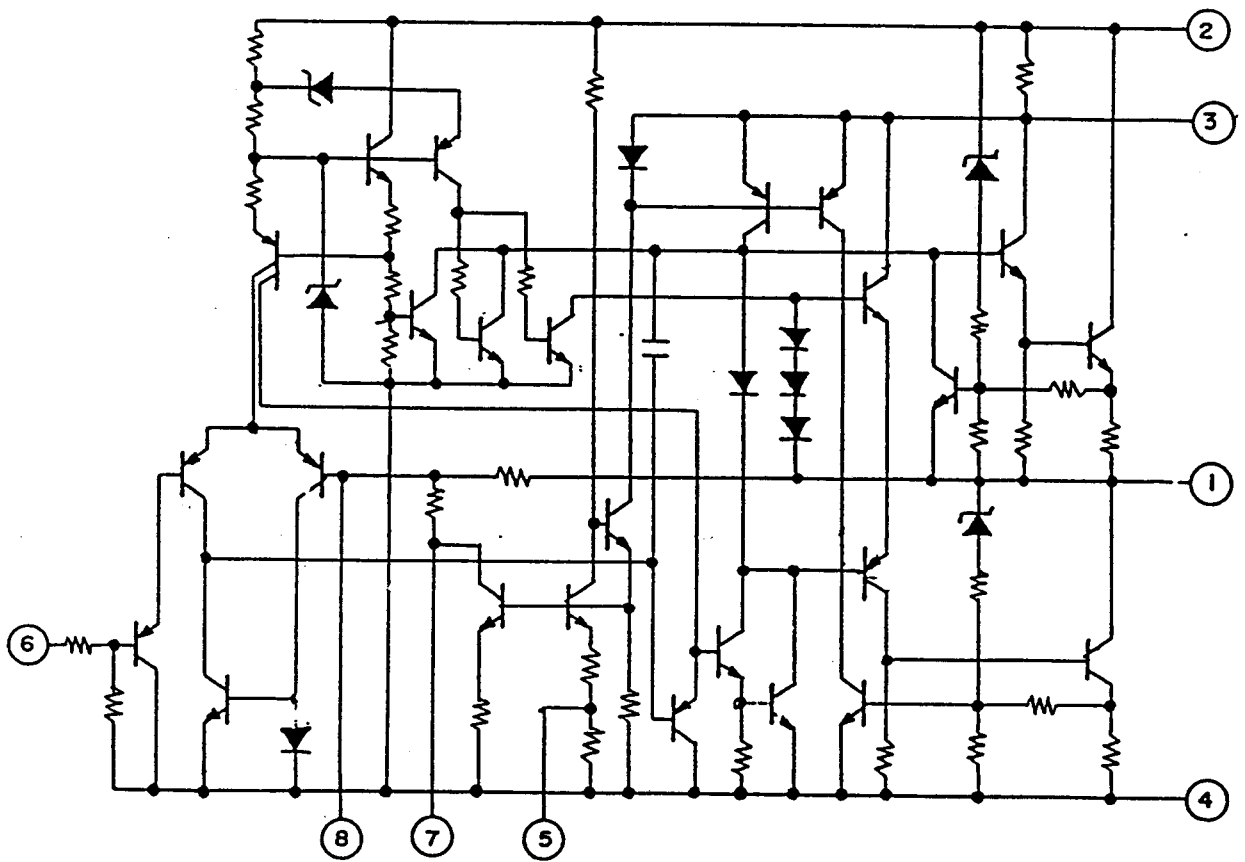
TA7310P-U

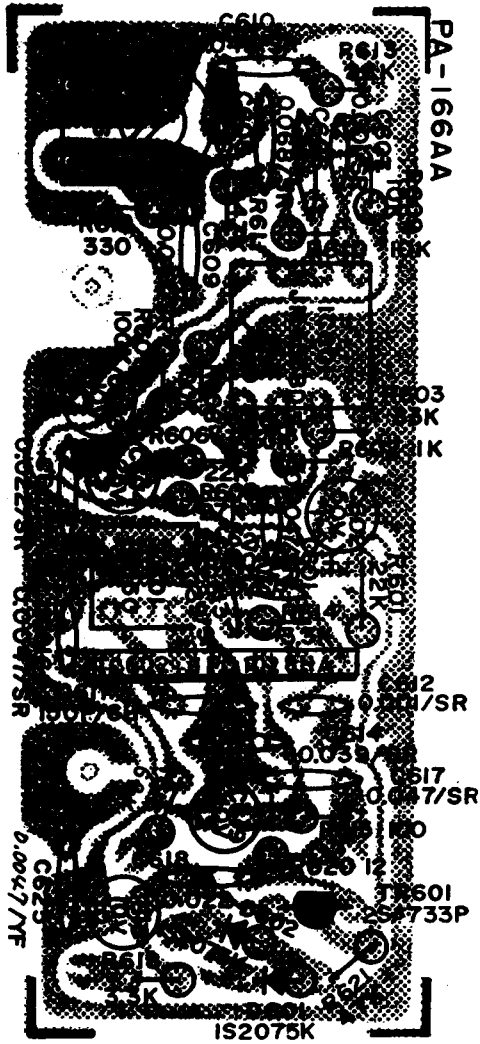




uPC1028H

MB3712

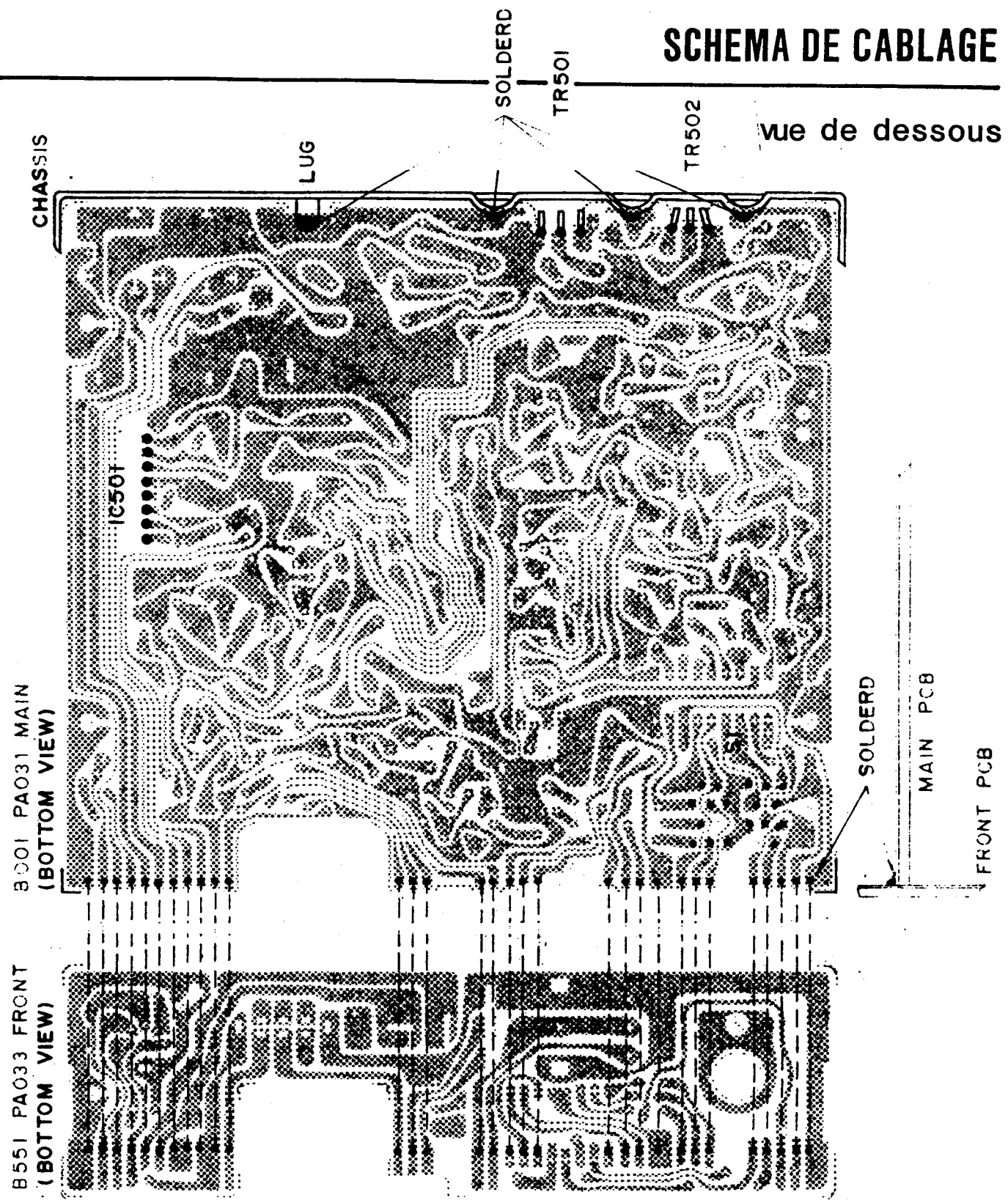




NOTE:
RESISTOR WATTAGES ARE 1/8W
UNLESS OTHERWISE NOTED.

DESIGN. BY	DRAWN. BY	UNICEN NO.	MODEL NO.
		UT-284J	TAYLOR
TITLE		FM PCB	
CHECK. BY		PARTS ASSEMBLY TOP	
APPRO. BY		DRAWN. NO.	
		E24-4639	
		REV. MARK	

SCHEMA DE CABLAGE

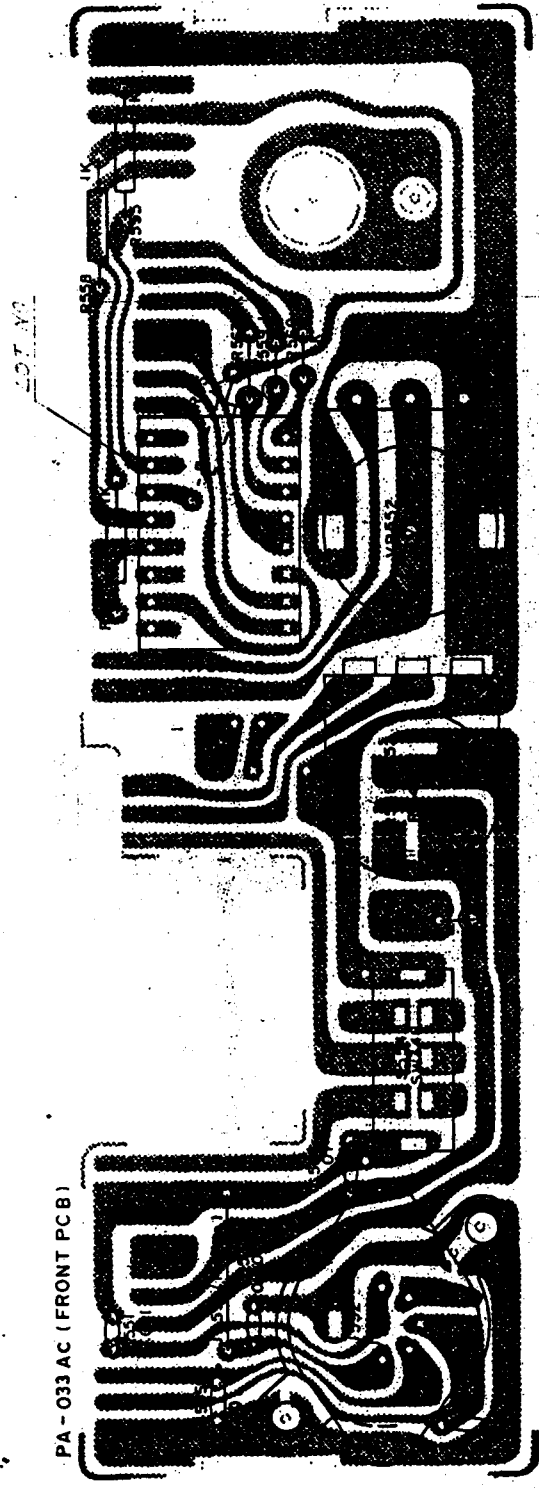


UT-284J
E24-4640

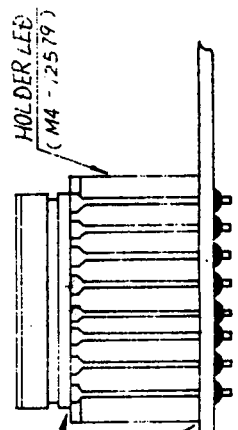
4B

4

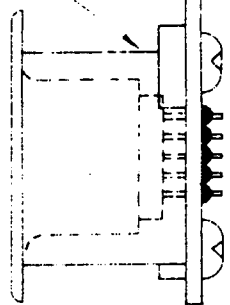
4A



LED - HOLDER
HOLDER ~ PCB



HOLDER JACK
(M4 - 72830)

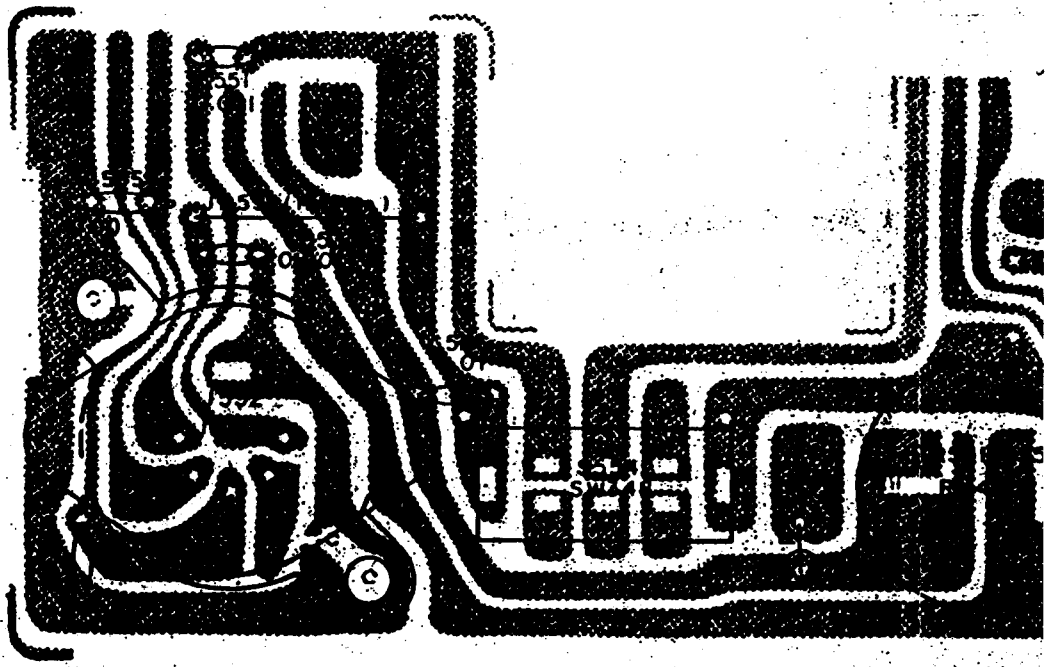


UT-284J
FRONT P.C.B.
E23-4638

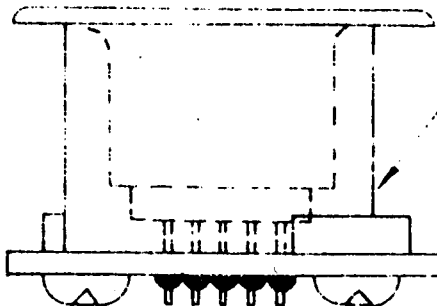
(4A)

(4)

PA-033 AC (FRONT PCB)



LED ~ HOLDER
HOLDER ~ PCB

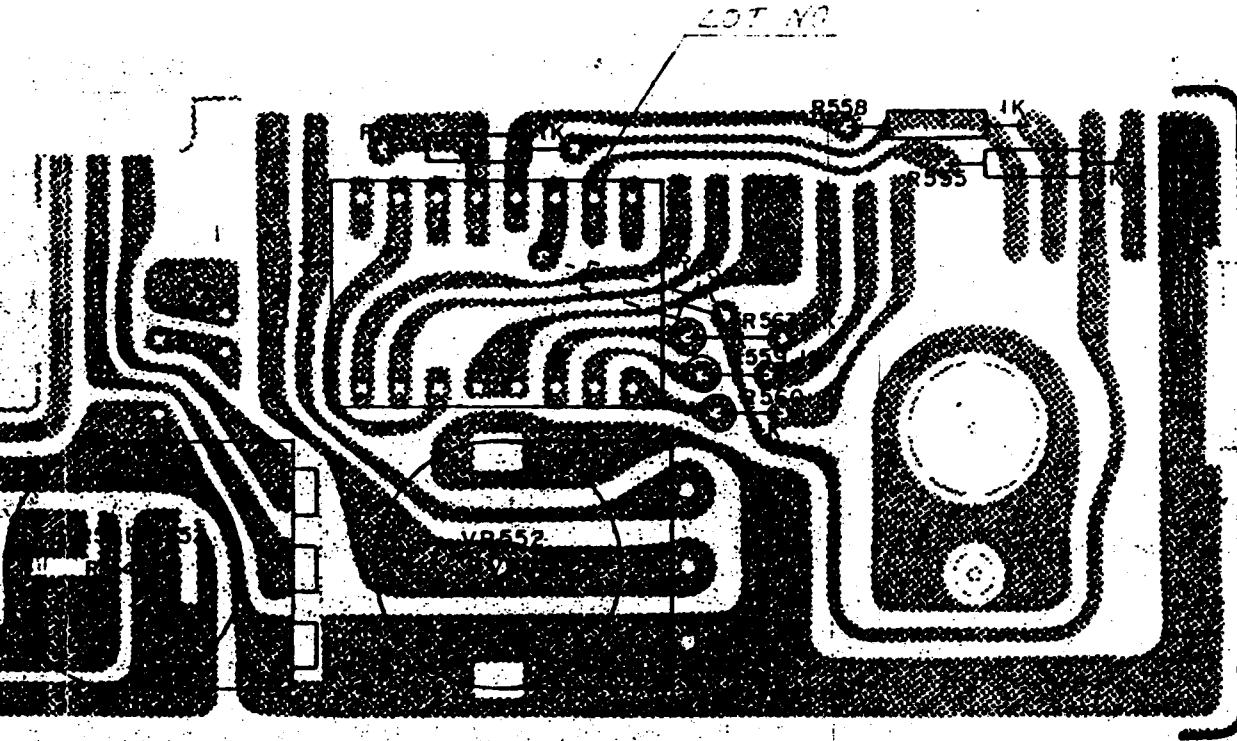


HOLDER JACK
(M4-12830)

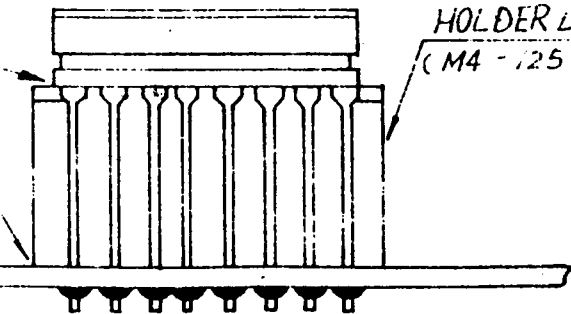
PLATINE AFFICHEUR

(4)

(4B)



LED - HOLDER
HOLDER ~ PCB



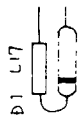
UT-284J

FRONT P.C.B.

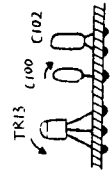
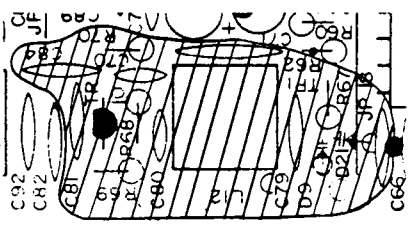
E23-4638

SB

(C-20)



T1 TF209

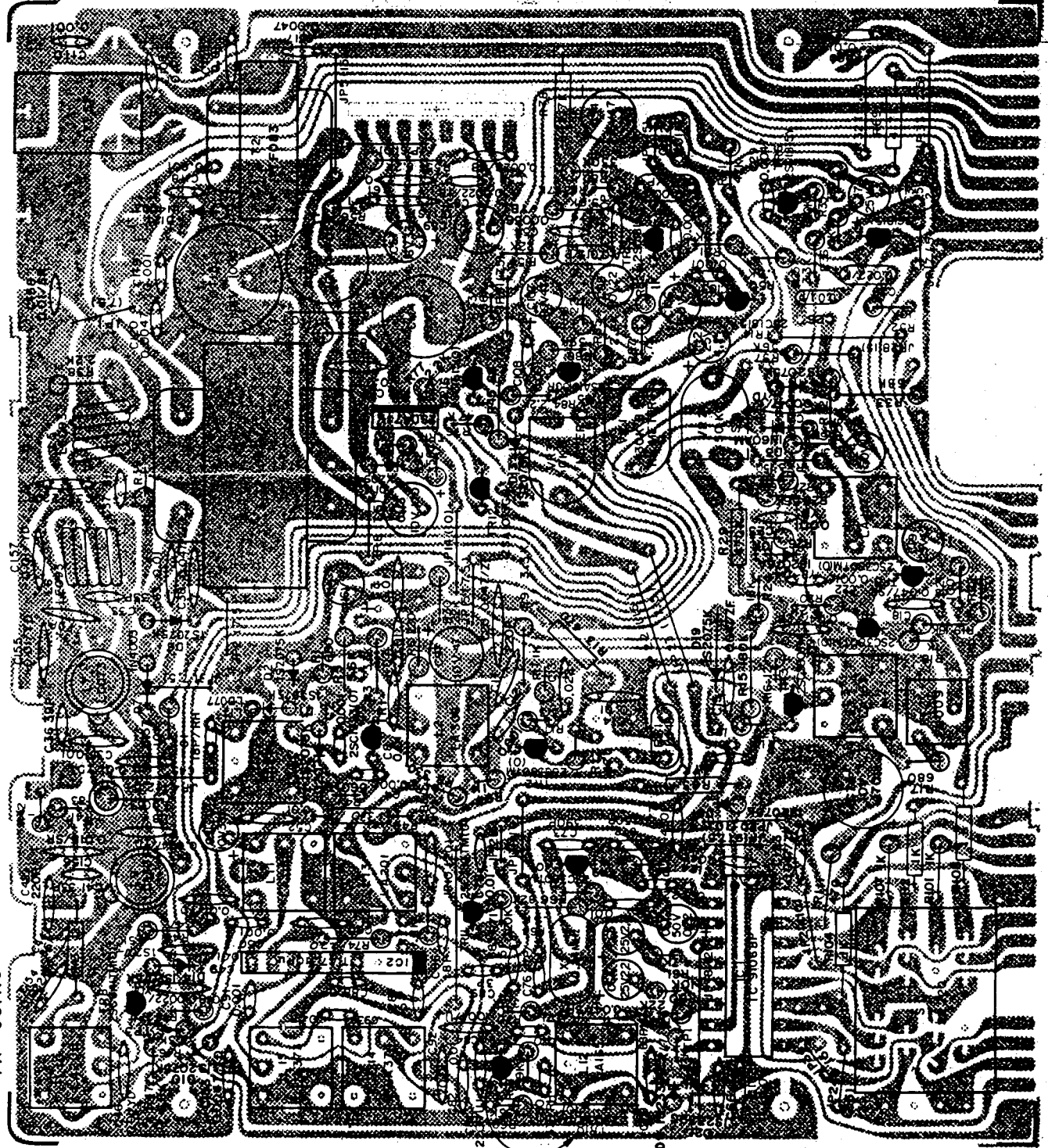


- NOTES:
1. RESISTOR WATTAGES ARE 1/8W UNLESS OTHERWISE NOTED.
 2. ALL CAPACITORS TEMPERATURE CHARACTERISTICS ARE SL (LESS THAN 1000PF) OR YF (MORE THAN 1000PF) UNLESS OTHERWISE NOTED.

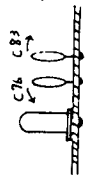
DESIGN BY	DRAWN BY	UNDER NO.	MODEL NO.
	UT-284J		TAYLOR
CHECK BY	TITLE	APPROV BY	REVISION
	MAIN PCB		MARK
	PARTS ASSEMBLY TOP VIEW	DRAWING NO.	
		E23-4637	

S

PA-031AG

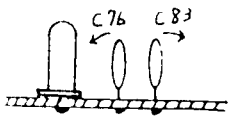
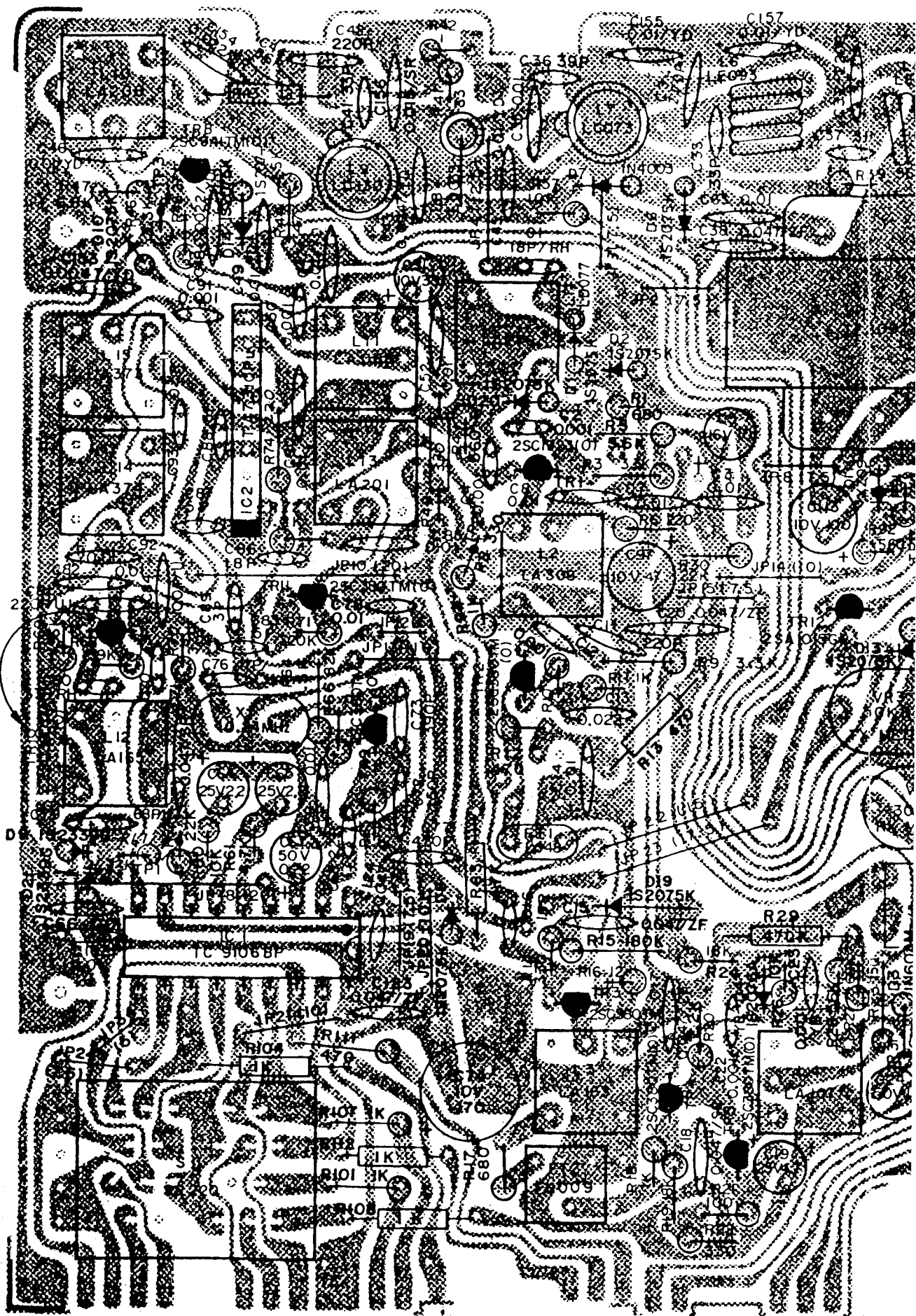


SA



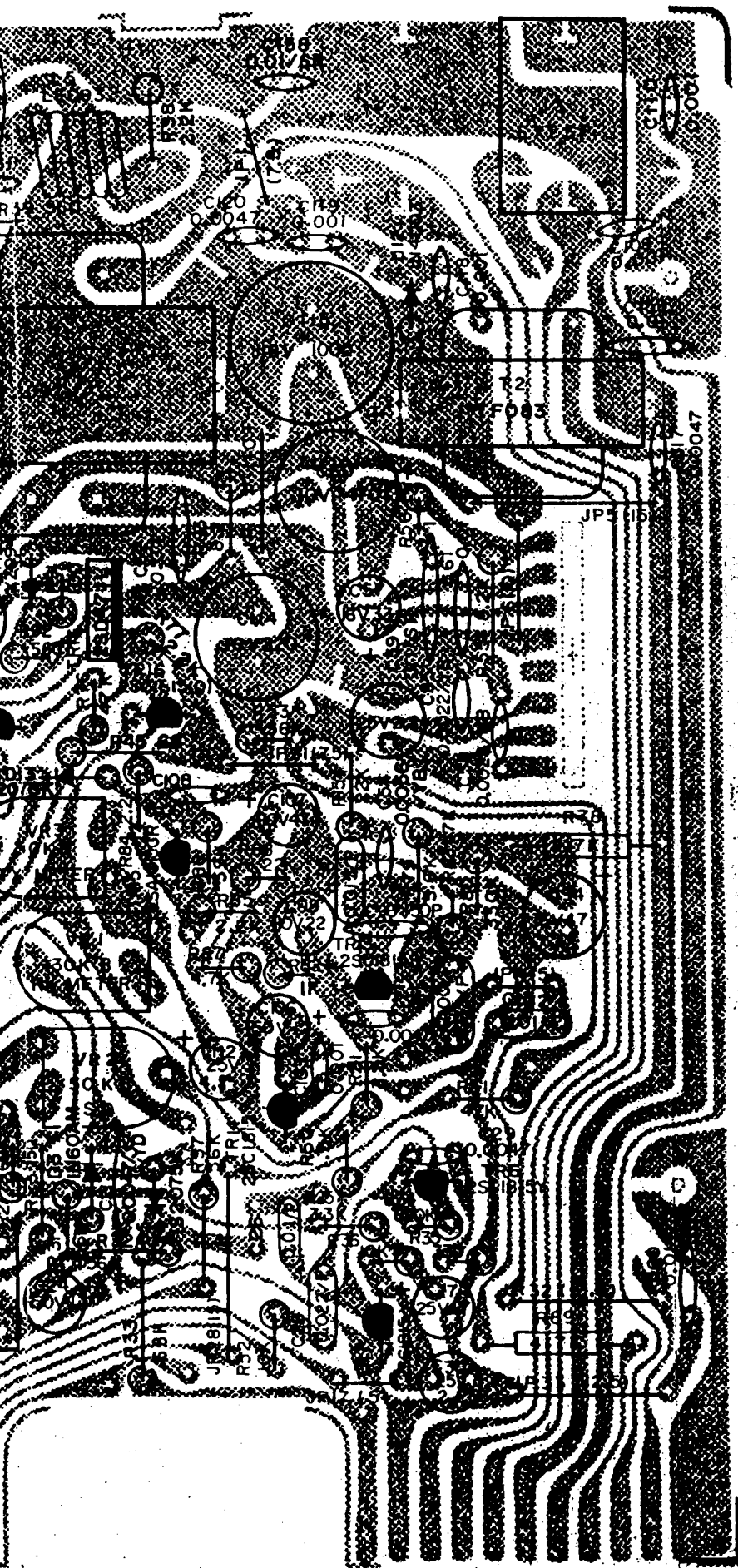
PA - 031AG

5A

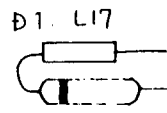


IMPLANTATION DES COMPOSANTS

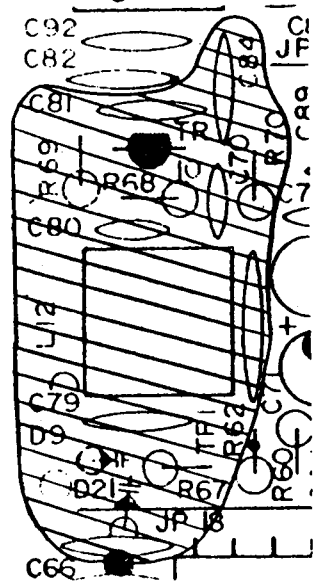
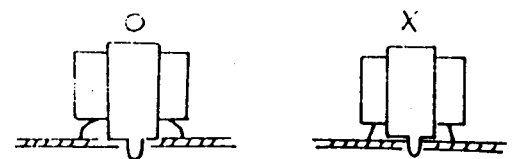
vue de dessus



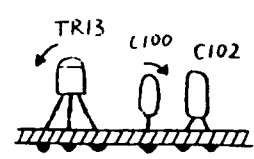
(5B)



T1 TF209



(C-20)



NOTES:

1. RESISTOR WATTAGES ARE 1/8W UNLESS OTHERWISE NOTED.
2. ALL CAPACITORS TEMPERATURE CHARACTERISTICS ARE SL (LESS THAN 1000PF) OR YF (MORE THAN 1000PF) UNLESS OTHERWISE NOTED.

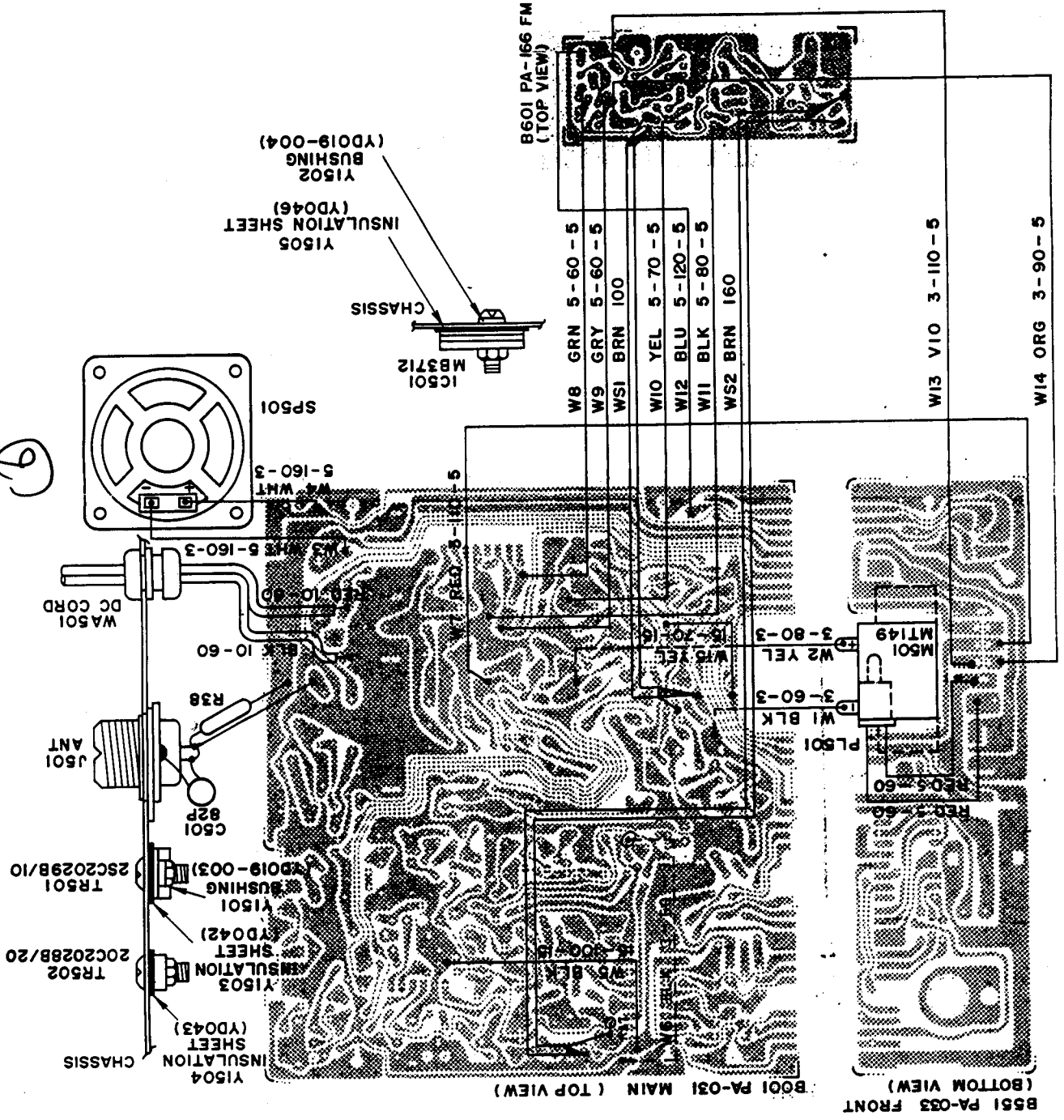
DESIGN.BY	DRAWN.BY	UNIDEN NO.	MODEL NO.
		UT-284J	TAYLOR
		TITLE MAIN PCB	
CHECK.BY	APPROQ.BY	PARTS ASSEMBLY TOP VIEW	
		DRAWING NO.	REV. MARK
		E23-4637	

SCHEMA DE CABLAGE

6B

6

6A

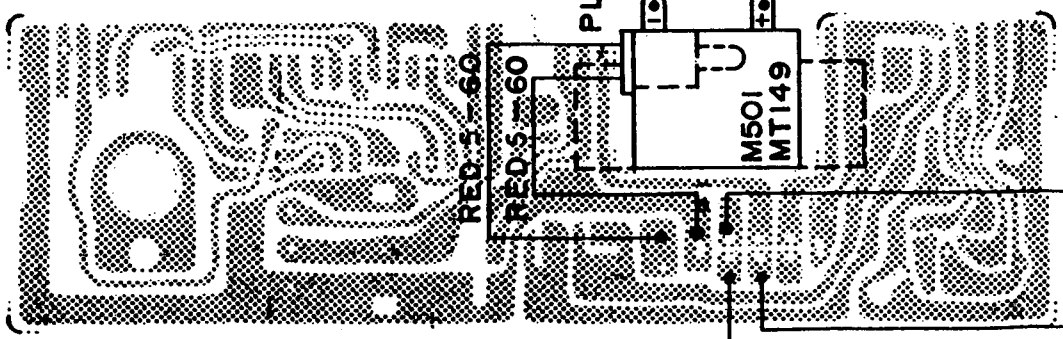


DESIGN NO.	DATE	BY	APPROVED BY	DRIVING NO.	REV. MARK
UT-284J				E33-2199	
UNIDENT. NO.			TITLE		
UT-284J			WIRING DIAGRAM		
MO. 11. 51			TAYLOR		

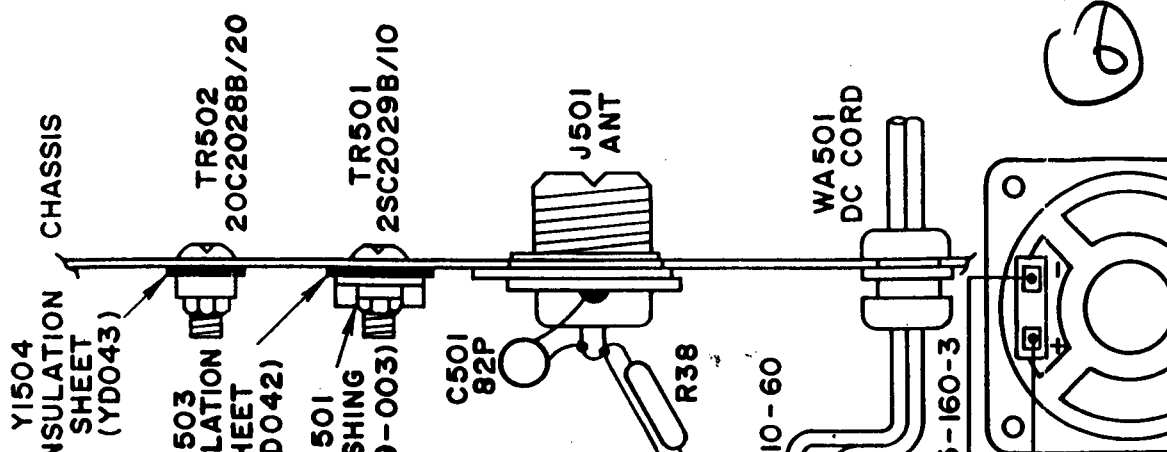
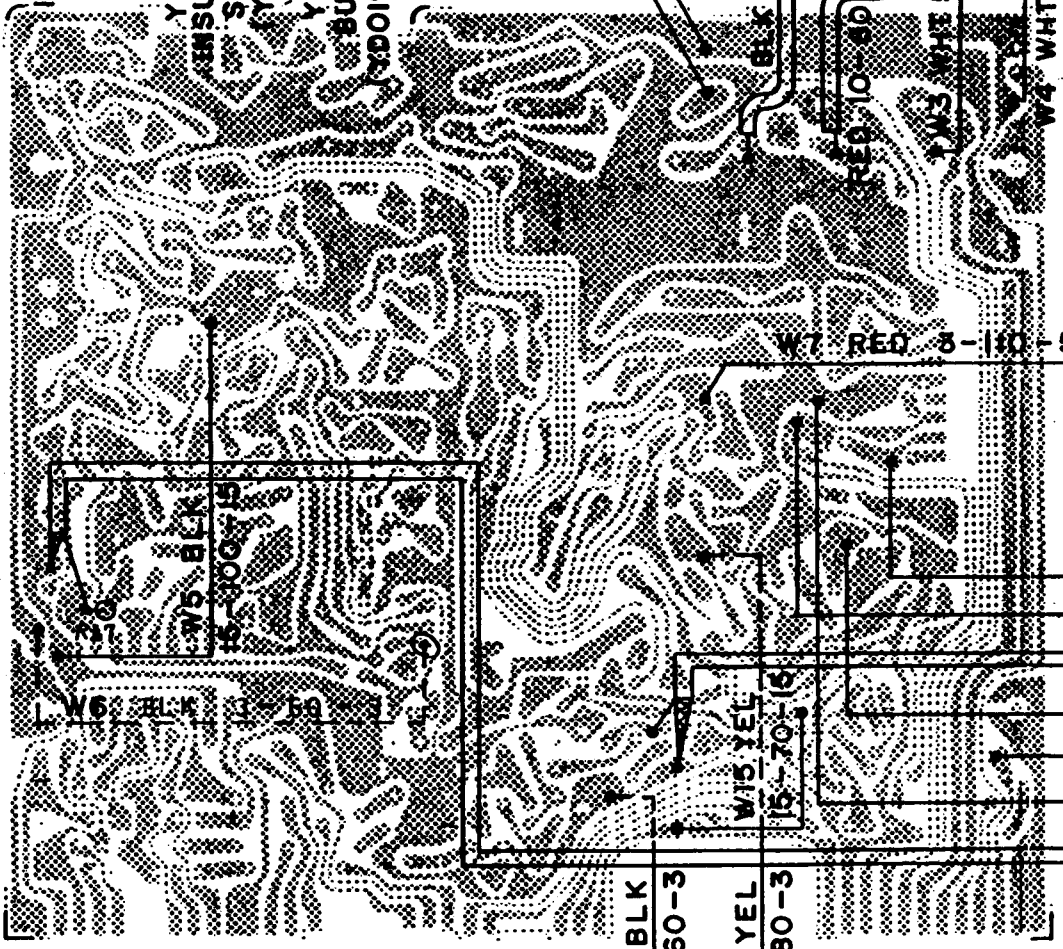
6A

6

B551 PA-033 FRONT (BOTTOM VIEW)



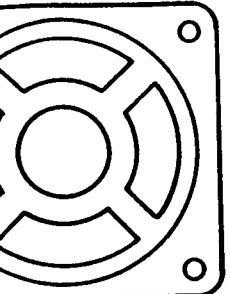
B001 PA-031 MAIN (TOP VIEW)



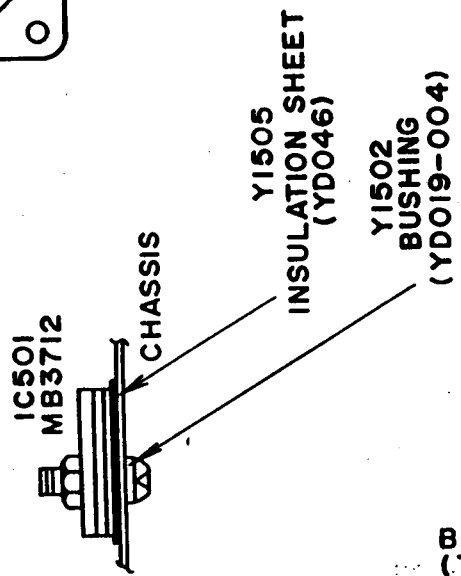
SCHEMA DE CABLAGE

6

6B



5-160-3
SP501



B601 PA-166 FM
(TOP VIEW)

W8	GRN	5-60-5
W9	GRY	5-60-5
WS1	BRN	100
W10	YEL	5-70-5
W12	BLU	5-120-5
W11	BLK	5-80-5
WS2	BRN	160



W13 VIO 3-110-5

W14 ORG 3-90-5

DESIGN. BY	DRAWN BY	UNIDEN. NO.	MODEL NO.
		UT-284J	TAYLOR
CHECK. BY		APPRO. BY	
		TITLE	
		WIRING DIAGRAM	
		DRAWING NO.	REV. MARK
		E33-2199	

LISTE PIECES DETACHEES TAYLOR

LISTE PIECES DETACHEES TAYLOR

CODE	DESIGNATION	QTE/MOD.	CODE	DESIGNATION	QTE/MOD.
BC002	BOBINE LD-077	1	HP002	HAUT-PARLEUR SP-057	1
BC011	TRANSFORMATEUR TF-083	1	IP003	CIRCUIT INTEGRE MB3712	1
BC013	BOBINE LD-033	1	IR003	CIRCUIT INTEGRE NJM4558D	1
BC016	BOBINE LC-130	1	IR004	CIRCUIT INTEGRE UPC1028H	1
BC022	BOBINE LC-073	1	IR009	CIRCUIT INTEGRE TA7310P-U	1
BC023	BOBINE LE-093	2	IS003	CIRCUIT INTEGRE TC9106BP	1
BC024	TRANSFORMATEUR TF-209	1	JX001	JACK JK-089	1
BR003	BOBINE LA-165	1	JX003	JACK JK-068	1
BR033	BOBINE LA-279	1	JX007	JACK JK-202	1
BR034	BOBINE LA-088	1	DA002	AFFICHEUR LDR204AL	1
BR035	BOBINE LA-107	1	PF001	FILTRE FL-048 SFE10.7MS2-M	1
BR036	BOBINE LA-163	1	PF006	FILTRE T FL-009 CFU-455H2	1
BR037	BOBINE LA-201	1	PQ005	QUARTZ 10.240 QX-074	1
BR038	BOBINE LA-208	1	QX004	FACE AVANT TAYLOR	1
BR039	BOBINE LA-308	1	RV009	POTENTIOMETRE S RV-495 50KA	1
BR040	BOBINE LA-374	1	RV010	POTENTIOMETRE S RV-501	1
BR041	BOBINE LA-373	1	SS003	COMMUTATEUR SR-220	1
BR042	BOBINE LB-150	1	SX010	COMMUTATEUR SW-348	1
DC001	DIODE 1N60 AM	1	TH004	TRANSISTOR 2SC202B	1
DC005	DIODE 1S2075K	12	TH005	TRANSISTOR 2SC2029	1
DC008	DIODE 1N4003	2	TX001	TRANSISTOR 2SA733-P	1
DC019	DIODE ZENER XZ-094	1	TX008	TRANSISTOR 2SD471-L	1
DC020	DIODE 1S2076A	1	TX012	TRANSISTOR 2SA1015	2
DC021	DIODE SR1K-1	2	TX013	TRANSISTOR 2SC380TM-0	6
DV002	DIODE 1S2339G	2	TX014	TRANSISTOR 2SC380TM-Y	1
HM003	MICROPHONE K-241	1	TX015	TRANSISTOR 2SC941TM-0	1

Pièces détachées Spécifiques à chaque Appareil			
EMETTEUR/RECEPTEUR	P.A. amplificateur de puissance.	P.L.L. boucle à verrouil- lage de phase	B.F. Basses Fréquences
JIMMY	2SC 2166	SM 5124	TDA 1905
JOHNNY	2SC 2166	SM 5124	TDA 1905
HARRY	2SC 2166	SM 5124	TDA 1905
TAYLOR	2SC 2029	TC 9106/SM 5126C	MB 3712
FRANCOIS	2SC 2029	TC 9109/SM 5126A	MB 3712
VALERY	2SC 2029	TC 9106/SM 5126C	MB 3712
WILSON	2SC 2166	SM 5124	UPC 1242
HERBERT	2SC 2166	TC 9106	UPC 1242
SS-120	2SC 1944	UPD 2816	TA 7222
JACK	2SC 2312	MB 8719	* UPC 1242
GRANT	2SC 2312	MB 8719	* UPC 1242
J.F.K.	2SC 1944	UPD 2816	MB 3712
SS-360	2SC 2312	MC 145106	TA 7222
JACKSON	MRF 477	MC 145106	* UPC 1242
LINCOLN	MRF 477	PLL 0305	TDA 1905
BENJAMIN	2SC 2312	D 2824	UPC 1242
WILLIAM	2SC 2166	SM 5125	TDA 2822
MC 6700	2SC 1946	MB 8789	TA 7066 (combiné) MB 3713 (H.P.)

CONTACTER NOTRE S.A.V. concernant nos Conditions, Disponibilité et Tarif.

* Ces appareils utilisaient sur les anciens modèles en B F : UPC 1182

PIECES DETACHEES

COMMUNES A PLUSIEURS APPAREILS

Ref. CIRCUIT BF	EMETTEUR/RECEPT .	Ref. P.A	EMETTEUR/RECEPTEUR
MB 3712	TAYLOR FRANCOIS VALERY J.F.K (2)	2SC 2166	JOHNNY HERBERT WILSON HARRY
TDA 1905	HARRY-JIMMY PC-33 LINCOLN JOHNNY		WILLIAM JIMMY
UPC 1242	GRANT JACKSON JACK HERBERT BENJAMIN		PC-33X
TDA 2822	WILLIAM	2SC 2029	TAYLOR FRANCOIS VALERY PC 33 /43
TA 7222	SS-120 / ROBERT SS-360 / RICHARD RONALD FRANKLIN		
TA 7066	MC-6700 (combiné)	2SC 2312	SS-360 GRANT JACK RONALD FRANKLIN BENJAMIN
MB 3713	MC-6700 (H.P.)		
UPC 1182	JACK ancien GRANT modèle JACKSON	MRF 477	JACKSON LINCOLN
AFFICHEUR			
UR 202	VALERY SS-120 JFK SS-360 GRANT JACKSON JACK	MANUELS MAINTENANCE	TOUS MODELES
		LAMPES VU-METRE	

VU- METRE

COMMUTATEUR

POTENTIOMETRE

QUARTZ

Spécifique à chaque appareil

=====
 CONTACTER NOTRE S.A.V. concernant nos Conditions. Disponibilité et Tarif.
 =====

PIECES DETACHEES

COMMUNES A PLUSIEURS APPAREILS

Ref. P L L	EMETTEUR/RECEPT	Ref. HAUT-PARLEUR	EMETTEUR/RECEPT.
SM 5124	HARRY - JIMMY JOHNNY WILSON	SP 057/SP 227	VALERY TAYLOR FRANCOIS JACK PC 33X /43
TC 9106	TAYLOR PC-33/43/44 HERBERT	SP 053	SS-360 GRANT JACKSON
TC 9109	FRANCOIS VALERY	SP 052	JFK SS-120
UPD 2816	SS-120/ROBERT JFK	SP 154/SP 169	HARRY JIMMY JOHNNY WILSON
MB 8719	GRANT JACK	SP 149	HERBERT
MC 145106	SS-360/RICHARD JACKSON RONALD FRANKLIN		
PLL 0305	LINCOLN		
D 2824	BENJAMIN		
MB 8789	MC 6700		
SM 5125	WILLIAM		

CONTACTER NOTRE S.A.V. concernant nos Conditions, Disponibilité et Tarif