

PRESIDENT

RANDY II



available in two versions : mobile M or portable P

- ✓ AM/FM
- ✓ Roger Beep
- ✓ Battery life indicator
- ✓ Low/High power option
- ✓ Automatic Squelch

- ✓ Multi norms configuration
- ✓ Powered by Lithium-ion long life battery

NEW

Hybrid 2 in 1
CB radio

RANDY II M

 Mobile version 

Delivered with :



Adapter with
CB antenna connector
and cigarette lighter plug

NO LICENSE
NEEDED

RANDY II P

 Portable version 

Delivered with :



Rubber antenna (30 cm)



Lithium-Ion battery
2100 mA/h - 7.4 volts



Wall charger
110/220 V



Real Size

details may differ

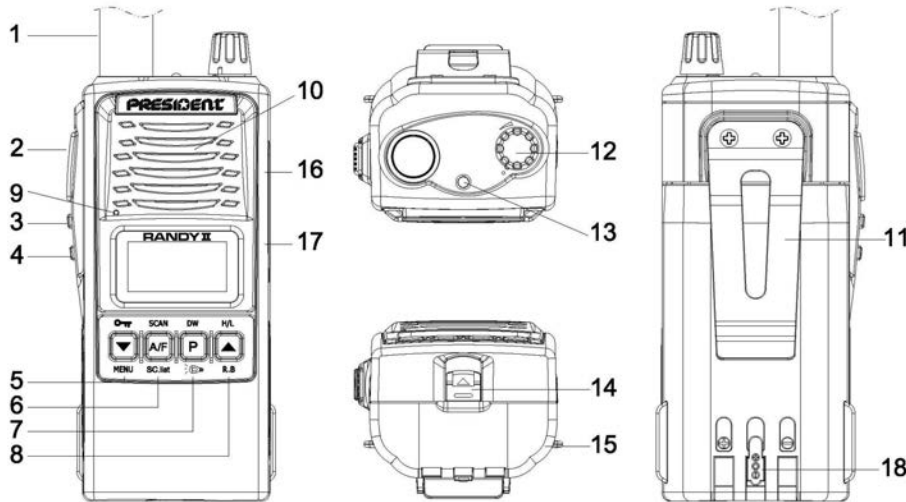
*See warranty conditions on our website: www.president-electronics.com

Groupe
PRESIDENT
ELECTRONICS

1291/09-12 C0279

S.A. Capital 10.000.000 €
Siège Social / Head Office – France – Route de Sète – BP 100 – 34540 BALARUC
Site : <http://www.president-electronics.com> – Email : groupe@president-electronics.com





- 1) **ANTENNA:** TNC type connector
- 2) **PTT:** "Push to Talk" switch
- 3) **F:** multi functions button
- 4) **SQ:** Squelch On/Off
- 5) **⏏ / ▼ / MENU:** Key lock / Decrease a channel / Enter MENU when F is held-pressed.
- 6) **SCAN / A/F / Sc. list:** Scan function / AM/FM / Edit the Scan Channel List
- 7) **DW / P / Lamp:** Dual Watch / Priority Emergency channel / LCD backlight
- 8) **H/L / ▲ / R.B :** TX power switch / Increase Channel / Roger Beep
- 9) **MICROPHONE:** Internal microphone
- 10) **SPEAKER:** Internal speaker
- 11) **BELT CLIP**
- 12) **POWER SWITCH & VOLUME:** On/Off setting and volume adjusting
- 13) **LED INDICATOR:** The indicator lights up red when transmitting and battery capacity (Voltage) is low. The indicator lights up green when receiving or squelch is off.
- 14) **BATTERY/ADAPTER LOCK**
- 15) **BATTERY** (on P portable configuration) / **ADAPTER** (on M mobile configuration)
- 16) **EXTERNAL MICROPHONE JACK**
- 17) **EXTERNAL SPEAKER JACK**
- 18) **CHARGING INPUT** (on P portable configuration only)

Optional Accessories

Rubber antenna (30 cm)
N° ACMS301



Lithium-ion battery
2100 mAh - 7.4 volts
N° ACMS302

Wall charger
110/220 V
N° ACMS303



Adapter with antenna connector and cigarette lighter plug
N° ACMS304



1292/09-12 C0279b

1) GENERAL

- Channels : 40
- Modulation modes : AM / FM
- Frequency ranges : from 26.965 MHz to 27.405 MHz
- Antenna impedance : 50 ohms
- Power supply : 13.2 V (Randy II M)
7.4 V (Randy II P)
- Dimensions (in mm) : 54 (W) x 35 (D) x 120 (H)
without accessories
- Weight : 319 g with accessories (Randy II M)
357 g with accessories (Randy II P)
- Accessories supplied : Adapter with antenna connector and cigarette lighter plug (Randy II M)
Battery, rubber antenna and wall charger (Randy II P)
- Filter : ANL (Automatic Noise Limiter)

2) TRANSMISSION

- Frequency allowance : +/- 200 Hz
- Carrier power : 1 ~ 3 W AM / 1 ~ 4 W FM
- Trans. interference : inferior to 4 nW (- 54 dBm)
- Audio response : 300 Hz to 2.5 KHz
- Emitted power in the adj. channel : inferior to 20 µW
- Microphone sensitivity : 7 mV
- Drain : 1,8 A (with modulation power Hi)
- Modulated signal dist. : 2 %

Specifications

3) RECEPTION

- Maxi. sensitivity at 20 dB sinad : AM: 0.5 µV - 113 dBm
FM : 0.3 µV - 116 dBm
- Frequency response : 300 Hz to 2.5 kHz
- Adjacent channel selectivity : 60 dB
- Maximum audio power : 1 W
- Squelch sensitivity : min : 0.2 µV - 120 dBm
max : 1 mV - 47 dBm
- Internal speaker : 8 ohms, 1 W



Multi norms configuration

