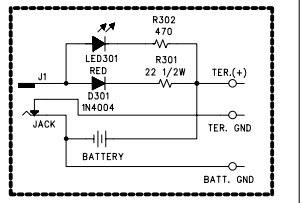
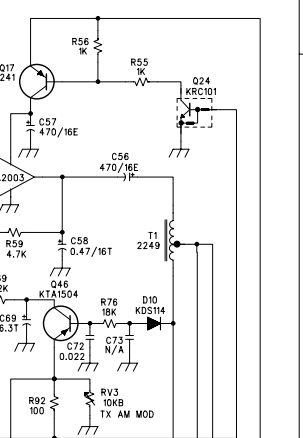


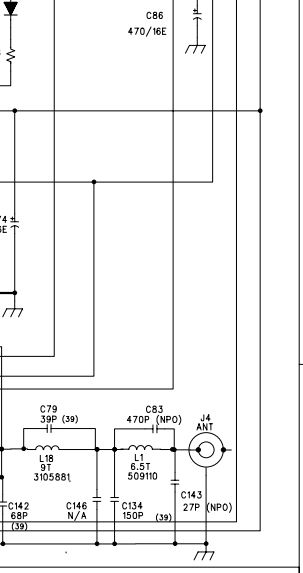
REVISION RECORD			
LT#	ECO NO.	APPROVED:	DATE:



CHARGER CIRCUIT



TX AM MOD



ANT

COMPANY: MAXON SYSTEMS (THAILAND)			
TITLE: ALAN-42 MULTI			
DRAWN:	DATED:	MODEL CODE:	SIZE: A3
CHECKED:	DATED:	3360	DRAWING NO:
QUALITY CONTROL:	DATED:	1 : 1	REV: B
RELEASED:	DATED:	SHEET: 1 of 1	

