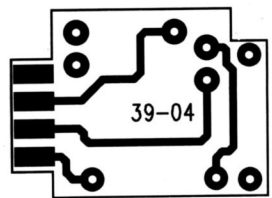
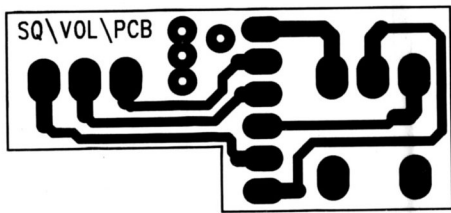
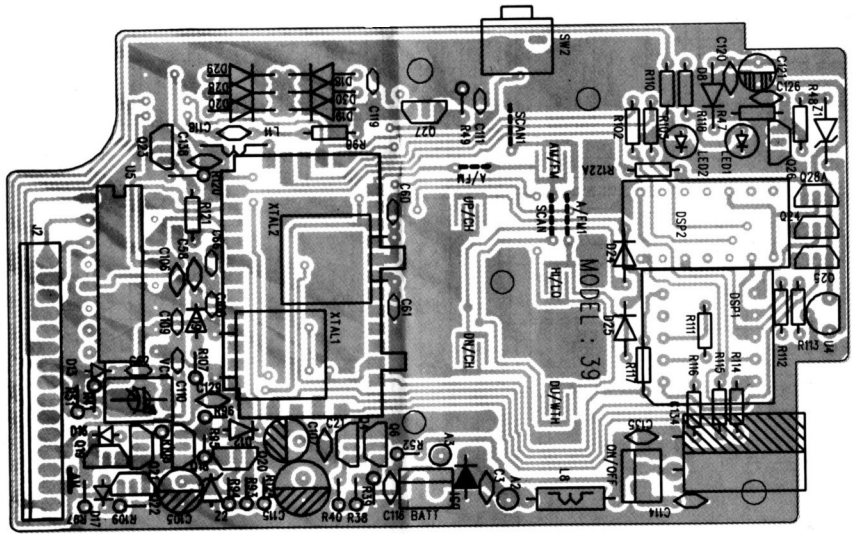
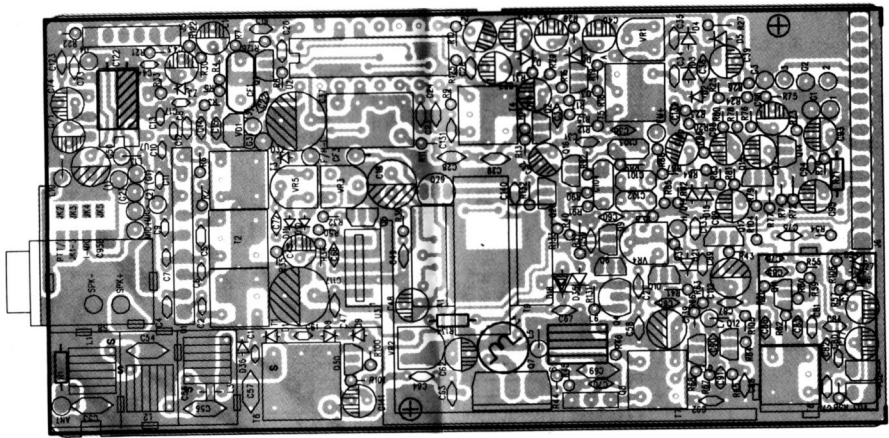
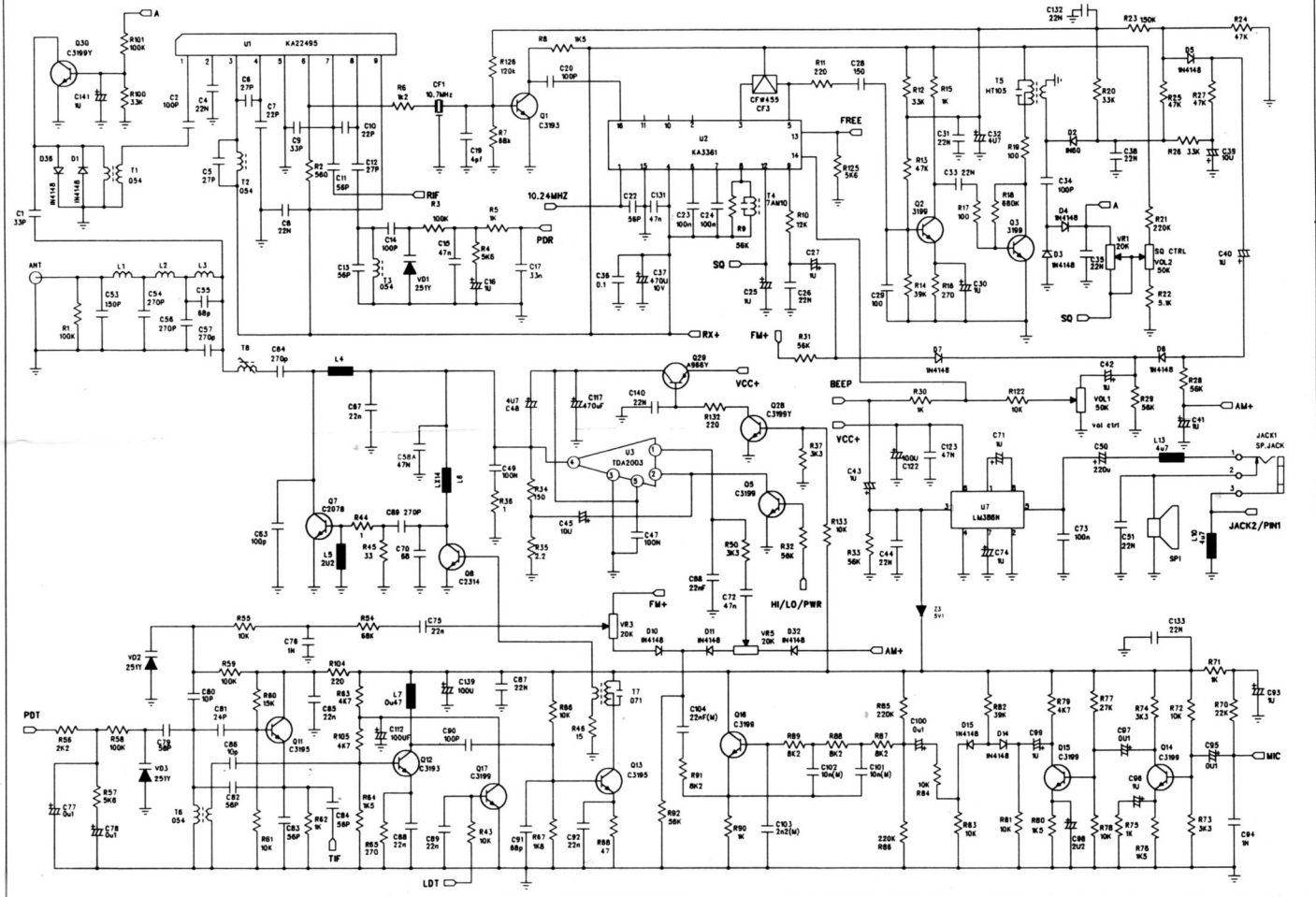


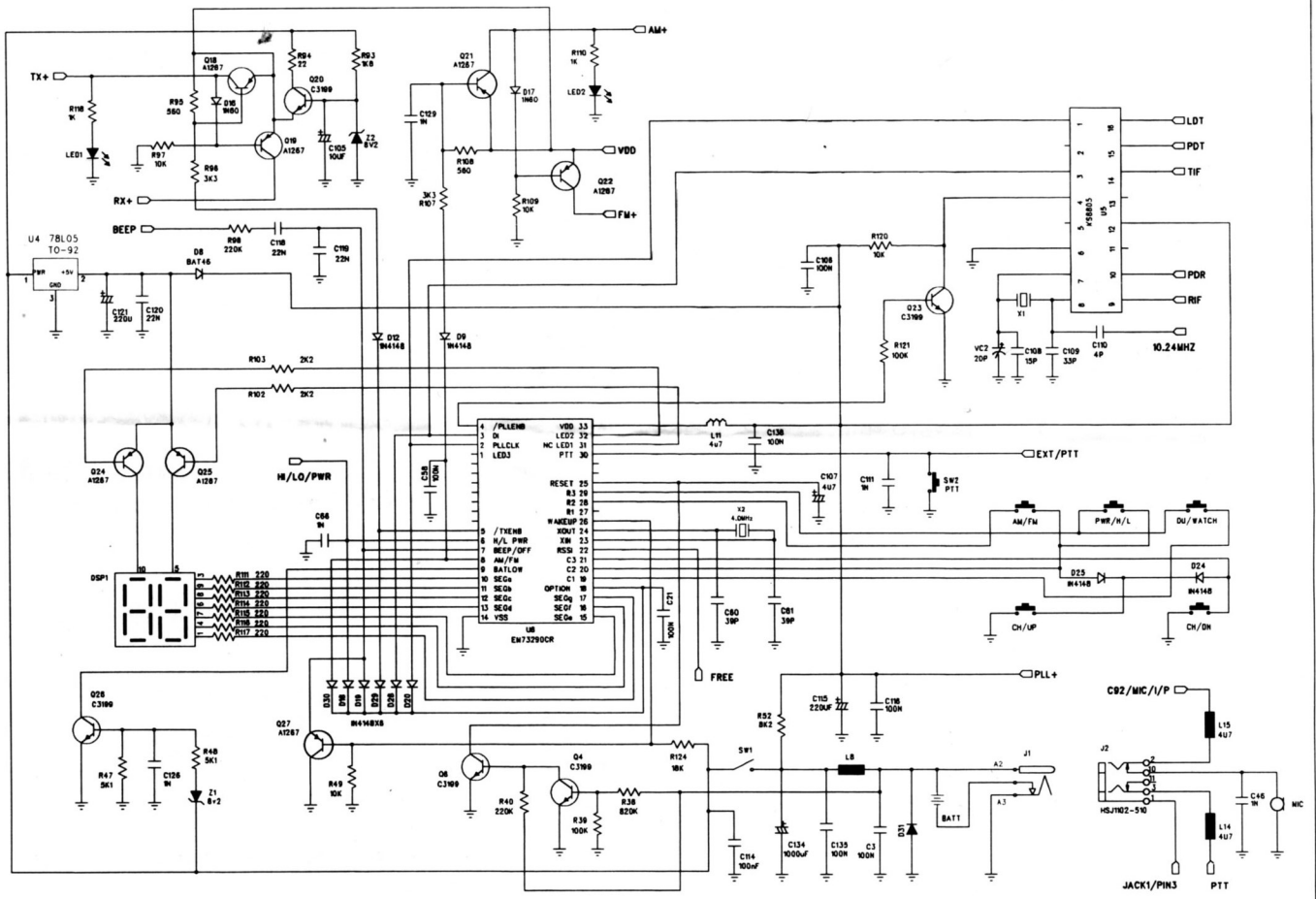
PLATINENLAYOUT - PRINTED CIRCUIT - CIRCUITO STAMPATO



ON/OFF SW

SCHALTPLAN - ELECTRICAL DIAGRAM - SCHEMA ELETTICO





JACK1/PIN3 PTT