

# AnyTone®

Downloaded  
from  
[www.cb-radio.nl](http://www.cb-radio.nl)



## AT-500M II MOBILE CB RADIO

- Output power AM/FM 4W
- RF gain and Mic gain control
- 2K/4K FM deviation selection
- Talkback /PA function
- Hi-cut function
- Echo/RB/Key beep
- NB/ANL
- CTCSS/DCS code
- VOX function
- Two scan mode
- Support both Electret and Dynamic microphone
- NRC (TX&RX Noise reduction)
- WX weather channel (USA version only)
- 12/24V

FC

CE

RoHS  
COMPLIANT



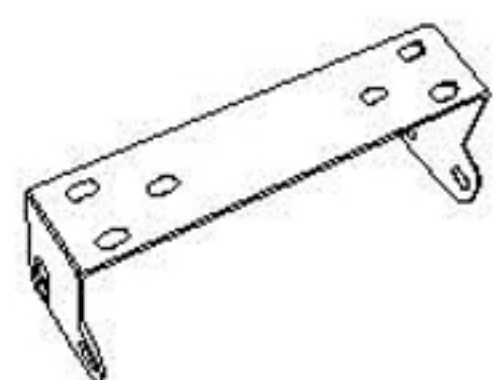
### Specification

GENERAL		TRANSMITTER		RECEIVER		
Modulation Mode	AM/FM	Power Output	4W	Sensitivity	Less than 1uV for 10dB(S+N)/N	
Frequency Range	26.965–27.405MHz	Transmission interference	inferior to 4nW	Image Rejection	70dB	
Frequency Tolerance	±5.0ppm	Frequency Response	300–3000Hz	Adjacent Channel Rejection	60dB	
Input Voltage	12V or 12/24V	Modulated signal distortion	inferior to 5%	IF Frequencies	1st 10.695MHz	
Front view size	124x38 mm	Output Impedance	50 ohms		2nd 455KHz	
Weight	620g			Automatic Gain Control(AGC)	Less than 10dB change in audio	
Operating Temperature Range	–20°C to +50°C				Output for inputs from 10 to 50000uV	
Current Drain	Transmit			3A MAX	Squelch	less than 1uV
	Receive			Squelched 0.3A	Audio Output Power	2Watts at 8Ω less than 10% distortion
	VOL Max	0.7A				
Antenna Connector	UHF, SO-239			Frequency Response	300–3000Hz	

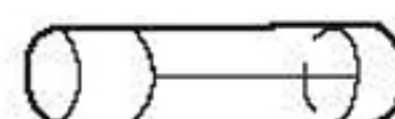
### Standard Accessories



Microphone



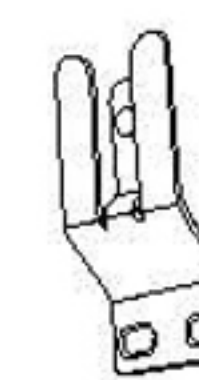
Mobile Bracket



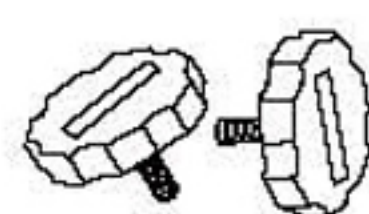
Spare Fuses  
5A 250V



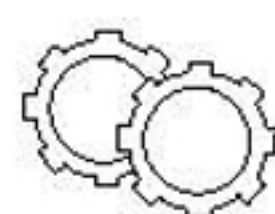
non-slip mat



Microphone Hanger



Adjusting screws



Pads



Tapping screws



User Manual



A1.230318



ISO 9001:14001



**AnyTone®**

**Qixiang Electron Science & Technology Co., Ltd.**

Contact person: KEN XU (General Manager)

Address: Qixiang Building, Tangxi Industrial Zone, Luojiang District, Quanzhou 362011, Fujian Province, China.

Tel: 86-595-22656925/6

Fax: 86-595-22656927

E-mail: ken6833@qxdz.cn xqlx5555@126.com

Website: www.qxdz.cn www.anytone.net