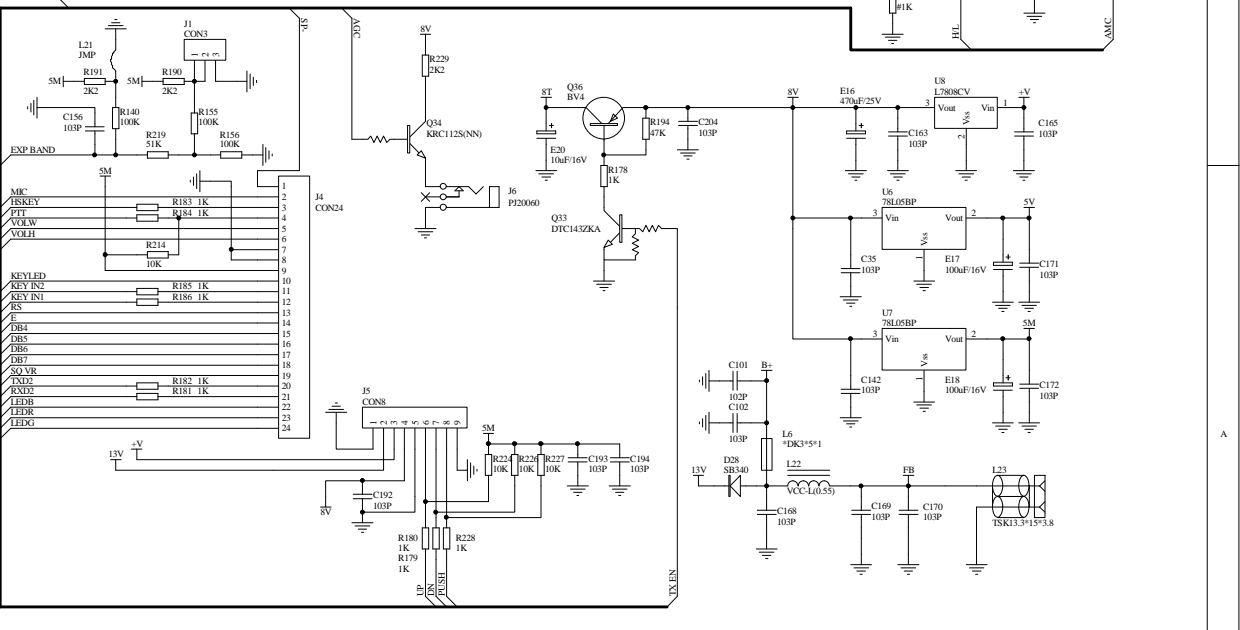
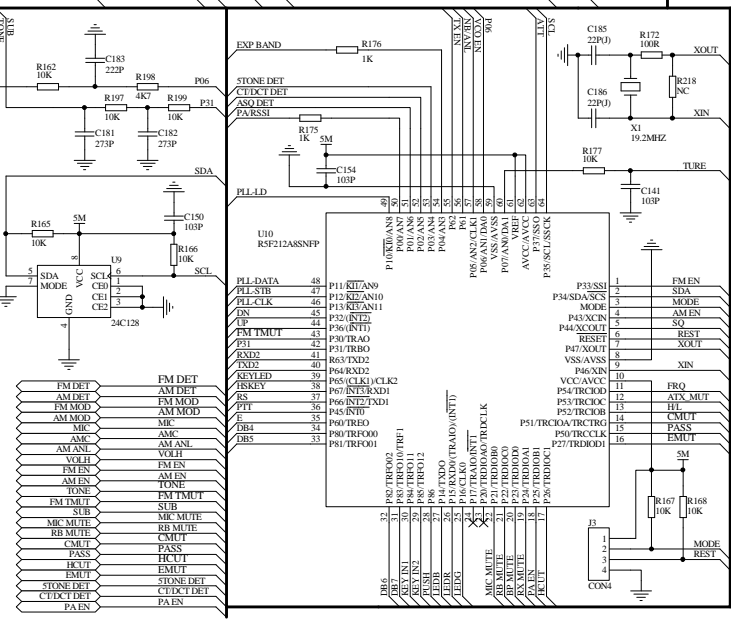
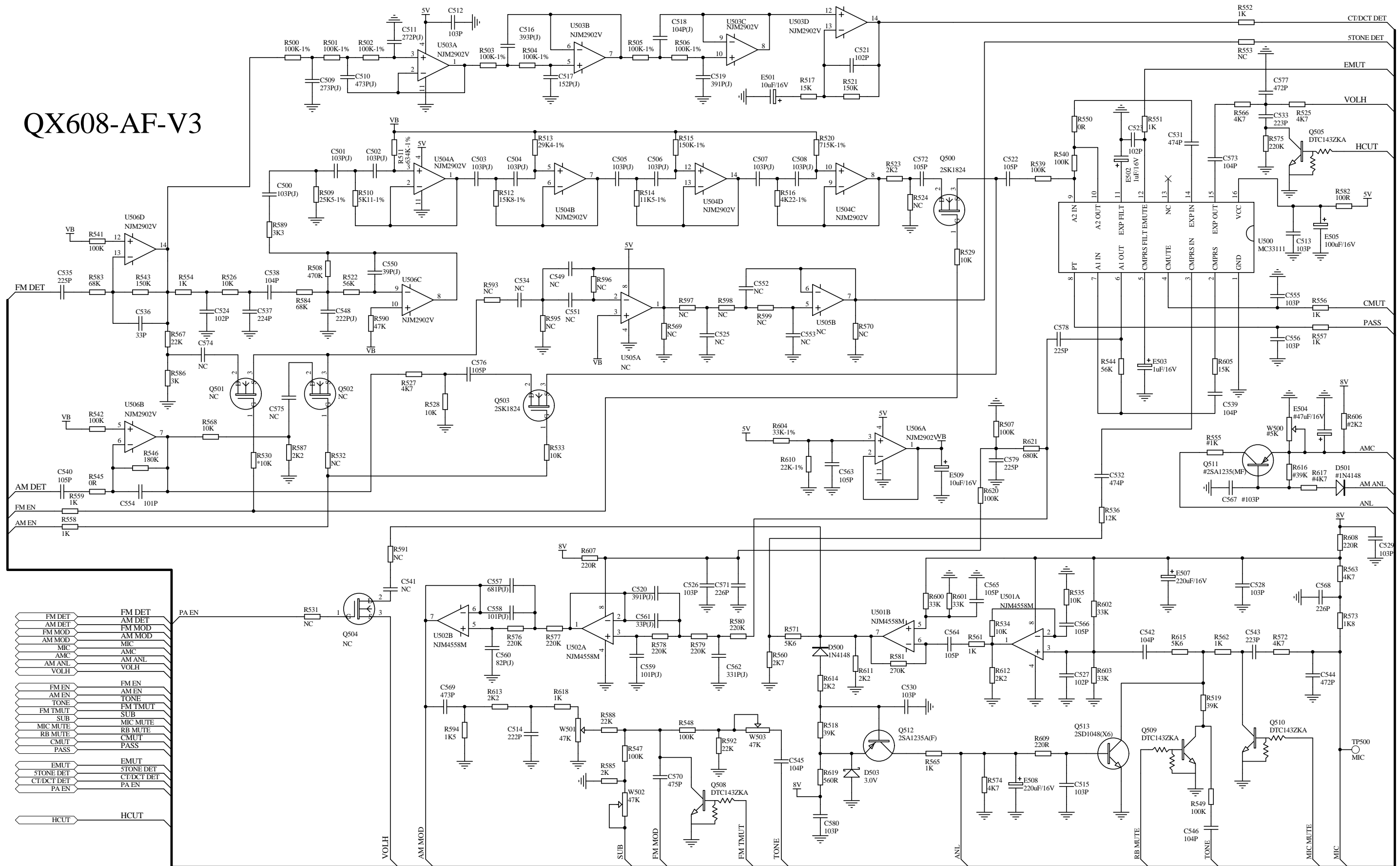


QX608-RF-V3



QX608-AF-V3



- | | | |
|------------|------------|-------|
| FM DET | FM DET | PA EN |
| AM DET | AM DET | |
| FM MOD | FM MOD | |
| AM MOD | AM MOD | |
| MIC | MIC | |
| AMC | AMC | |
| AM ANL | AM ANL | |
| VOLH | VOLH | |
| FM EN | FM EN | |
| AM EN | AM EN | |
| STONE DET | STONE DET | |
| CT/DCT DET | CT/DCT DET | |
| PA EN | PA EN | |
| HCUT | HCUT | |

- | | |
|----------|--|
| VOLH | |
| AM MOD | |
| SUB | |
| FM MOD | |
| FM TMUT | |
| TONE | |
| ANL | |
| RB MUTE | |
| TONE | |
| MIC MUTE | |
| MIC | |

- | | |
|--------|--|
| AMC | |
| AM ANL | |
| AMC | |
| AM ANL | |
| AMC | |
| AM ANL | |
| AMC | |
| AM ANL | |
| AMC | |
| AM ANL | |

- | | |
|--------|--|
| AMC | |
| AM ANL | |
| AMC | |
| AM ANL | |
| AMC | |
| AM ANL | |
| AMC | |
| AM ANL | |
| AMC | |
| AM ANL | |

- | | |
|--------|--|
| AMC | |
| AM ANL | |
| AMC | |
| AM ANL | |
| AMC | |
| AM ANL | |
| AMC | |
| AM ANL | |
| AMC | |
| AM ANL | |

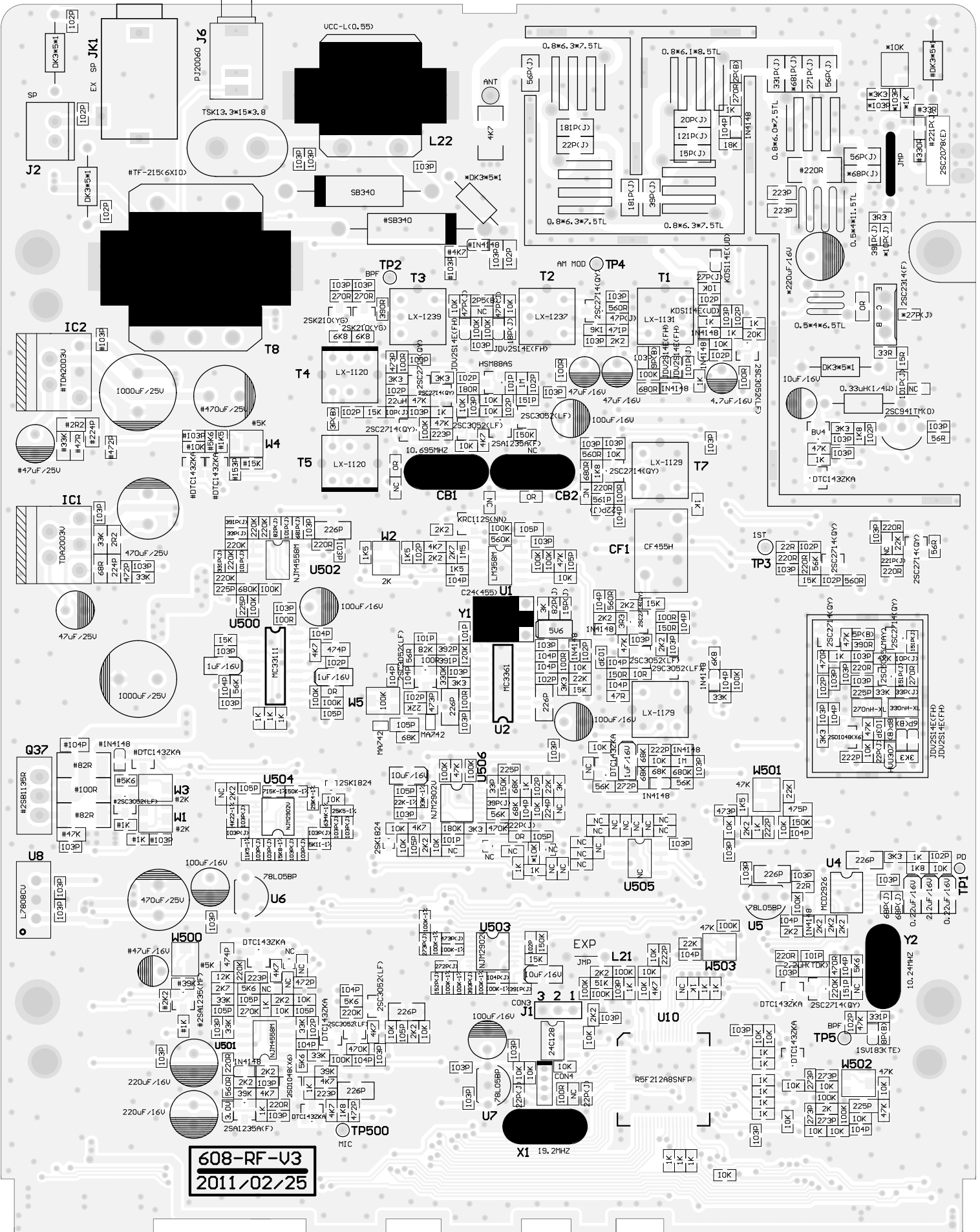
- | | |
|--------|--|
| AMC | |
| AM ANL | |
| AMC | |
| AM ANL | |
| AMC | |
| AM ANL | |
| AMC | |
| AM ANL | |
| AMC | |
| AM ANL | |

- | | |
|--------|--|
| AMC | |
| AM ANL | |
| AMC | |
| AM ANL | |
| AMC | |
| AM ANL | |
| AMC | |
| AM ANL | |
| AMC | |
| AM ANL | |

- | | |
|--------|--|
| AMC | |
| AM ANL | |
| AMC | |
| AM ANL | |
| AMC | |
| AM ANL | |
| AMC | |
| AM ANL | |
| AMC | |
| AM ANL | |

- | | |
|--------|--|
| AMC | |
| AM ANL | |
| AMC | |
| AM ANL | |
| AMC | |
| AM ANL | |
| AMC | |
| AM ANL | |
| AMC | |
| AM ANL | |

QX608-RF-U3



608-RF-U3
2011/02/25

QX608-RF-U3

