

REV:	DATE:	BY:	DATE:
REV:	DATE:	BY:	DATE:
REV:	DATE:	BY:	DATE:
REV:	DATE:	BY:	DATE:

DATE:	DATE:	DATE:	DATE:
DATE:	DATE:	DATE:	DATE:
DATE:	DATE:	DATE:	DATE:
DATE:	DATE:	DATE:	DATE:

DATE:	DATE:	DATE:	DATE:
DATE:	DATE:	DATE:	DATE:
DATE:	DATE:	DATE:	DATE:
DATE:	DATE:	DATE:	DATE:

DATE:	DATE:	DATE:	DATE:
DATE:	DATE:	DATE:	DATE:
DATE:	DATE:	DATE:	DATE:
DATE:	DATE:	DATE:	DATE:

DATE:	DATE:	DATE:	DATE:
DATE:	DATE:	DATE:	DATE:
DATE:	DATE:	DATE:	DATE:
DATE:	DATE:	DATE:	DATE:

DATE:	DATE:	DATE:	DATE:
DATE:	DATE:	DATE:	DATE:
DATE:	DATE:	DATE:	DATE:
DATE:	DATE:	DATE:	DATE:

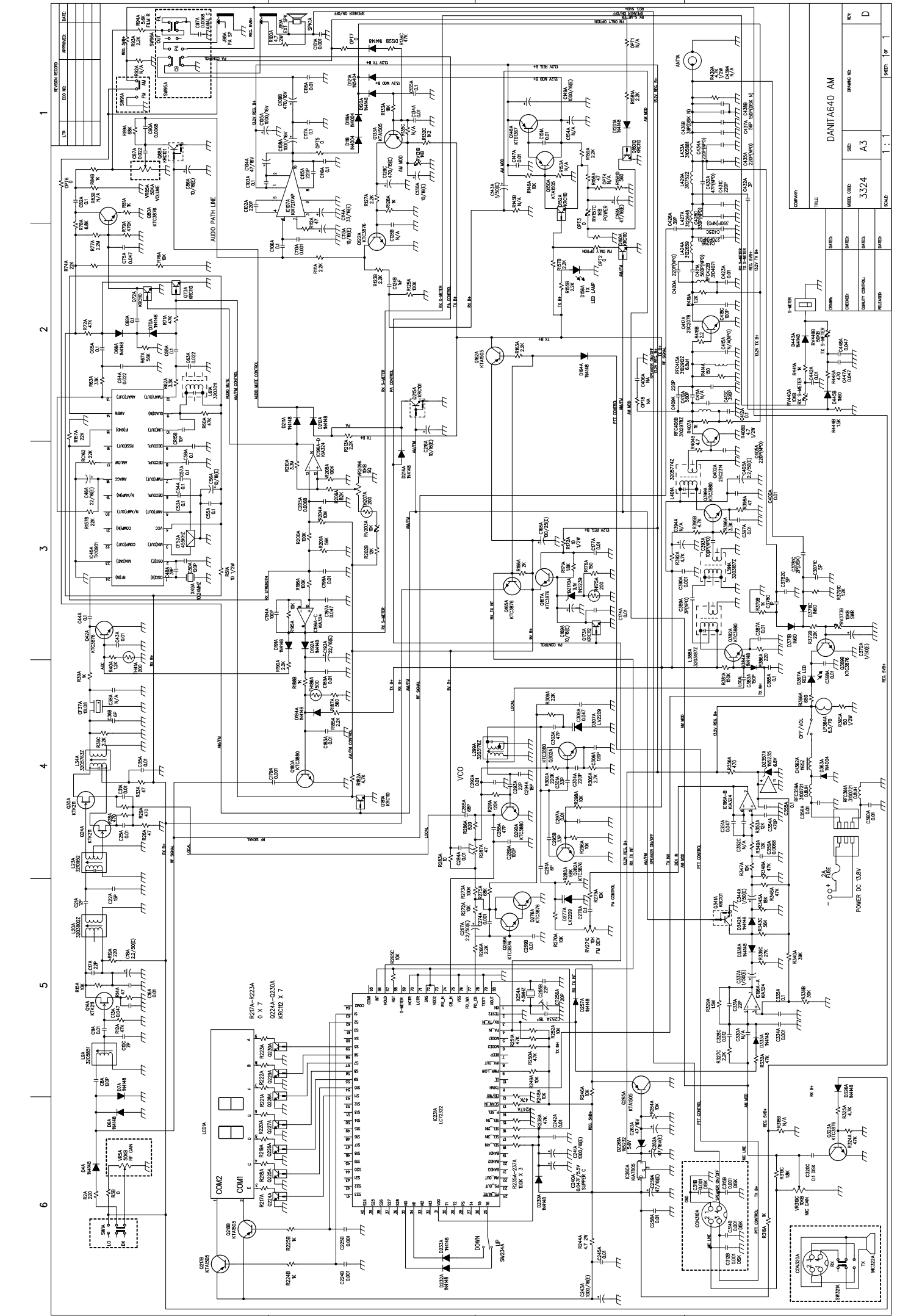
DATE:	DATE:	DATE:	DATE:
DATE:	DATE:	DATE:	DATE:
DATE:	DATE:	DATE:	DATE:
DATE:	DATE:	DATE:	DATE:

DATE:	DATE:	DATE:	DATE:
DATE:	DATE:	DATE:	DATE:
DATE:	DATE:	DATE:	DATE:
DATE:	DATE:	DATE:	DATE:

DATE:	DATE:	DATE:	DATE:
DATE:	DATE:	DATE:	DATE:
DATE:	DATE:	DATE:	DATE:
DATE:	DATE:	DATE:	DATE:

DATE:	DATE:	DATE:	DATE:
DATE:	DATE:	DATE:	DATE:
DATE:	DATE:	DATE:	DATE:
DATE:	DATE:	DATE:	DATE:

DATE:	DATE:	DATE:	DATE:
DATE:	DATE:	DATE:	DATE:
DATE:	DATE:	DATE:	DATE:
DATE:	DATE:	DATE:	DATE:



1
2
3
4
5
6

REVISION RECORD

REV.	DESCRIPTION	DATE
1		

DATE: _____

DESIGNER: _____

CHECKED: _____

DATE: _____

DATE: _____

DATE: _____

DATE: _____

DANTAG40 AM

SCALE: 1 : 1

SHEET: 1 of 1

NO.	DATE	REVISION
1		

NO.	DATE	REVISION
1		

NO.	DATE	REVISION
1		

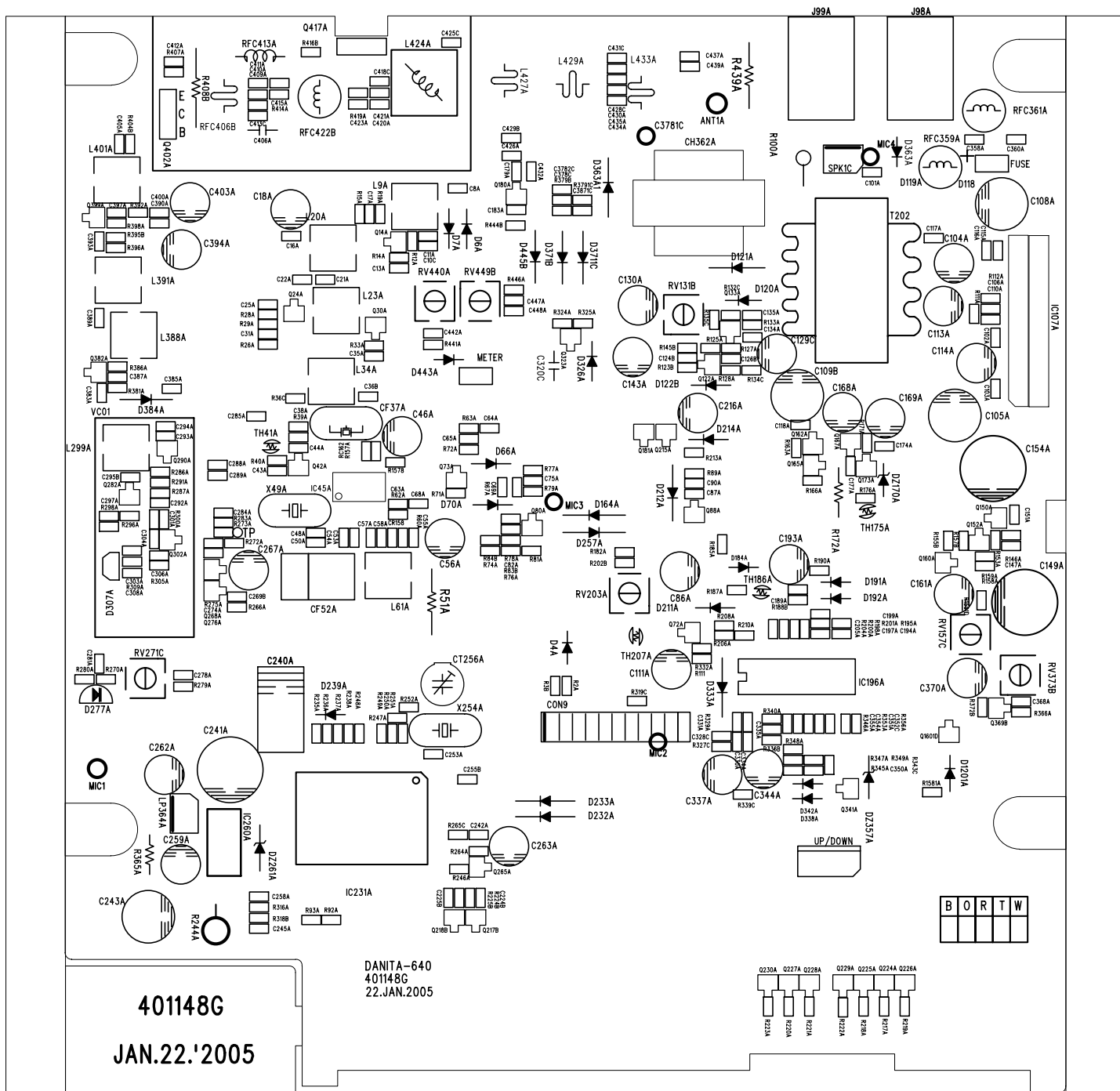
NO.	DATE	REVISION
1		

NO.	DATE	REVISION
1		

NO.	DATE	REVISION
1		

COMPONENT LIST

REF.	DESCRIPTION	VALUE
R217A-R223A	RESISTOR	0 X 7
Q224A-Q230A	TRANSISTOR	KRC119 X 7
COM2	CONNECTOR	
COM1	CONNECTOR	
VC0	VARIABLE CAPACITOR	
VCO	VARIABLE CAPACITOR	
BR1	BRIDGE RECTIFIER	
C101	CAPACITOR	
7805	VOLTAGE REGULATOR	
SPK	SPEAKER	
SW1	SWITCH	



MODEL : DANITA-640
 PART NO. : 401148G
 MATERIAL : FR-4 1/1
 SIZE : 170 X 163.5 X 1.6T
 DATE : 2005.JAN.22

TOP SCREEN