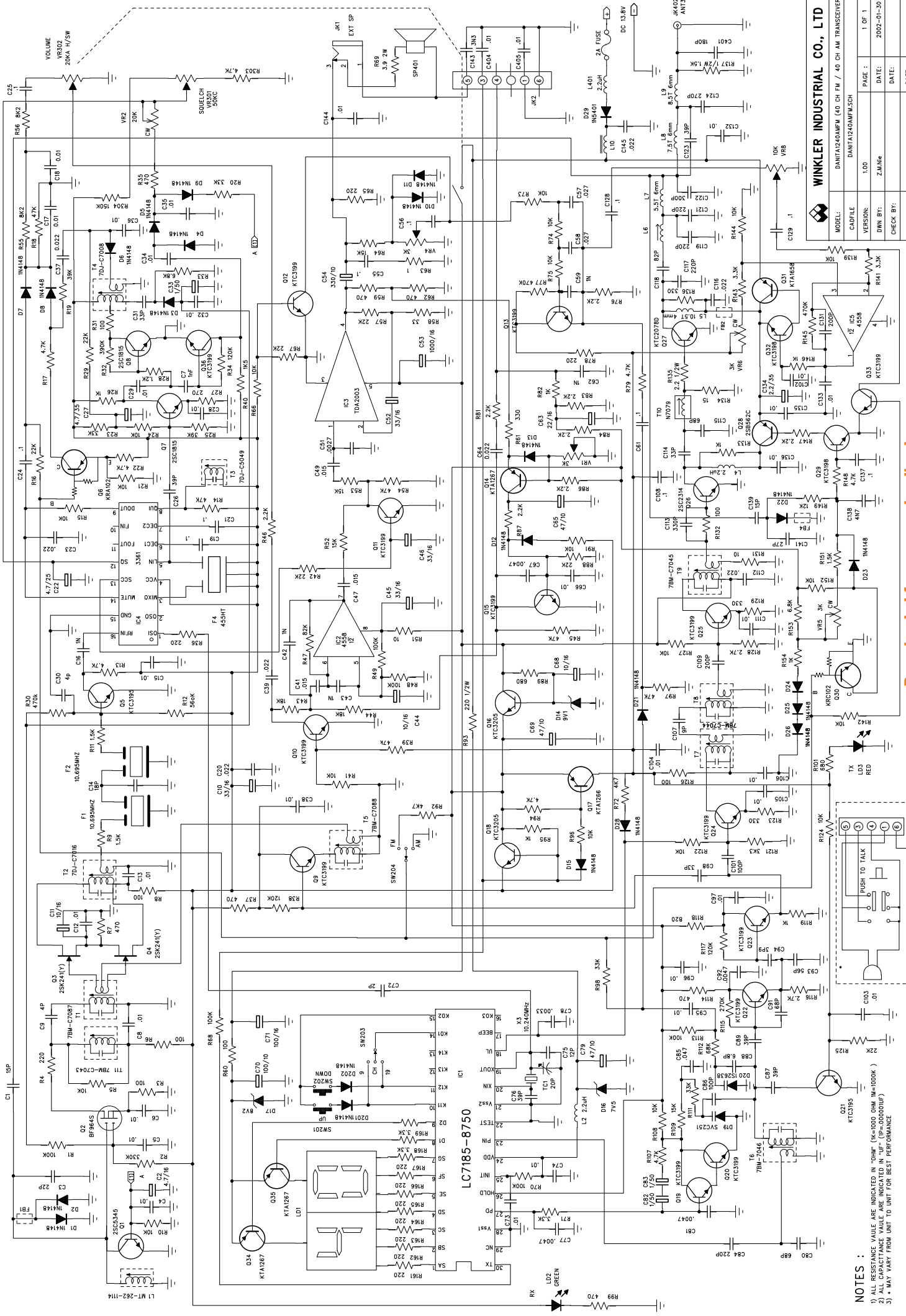
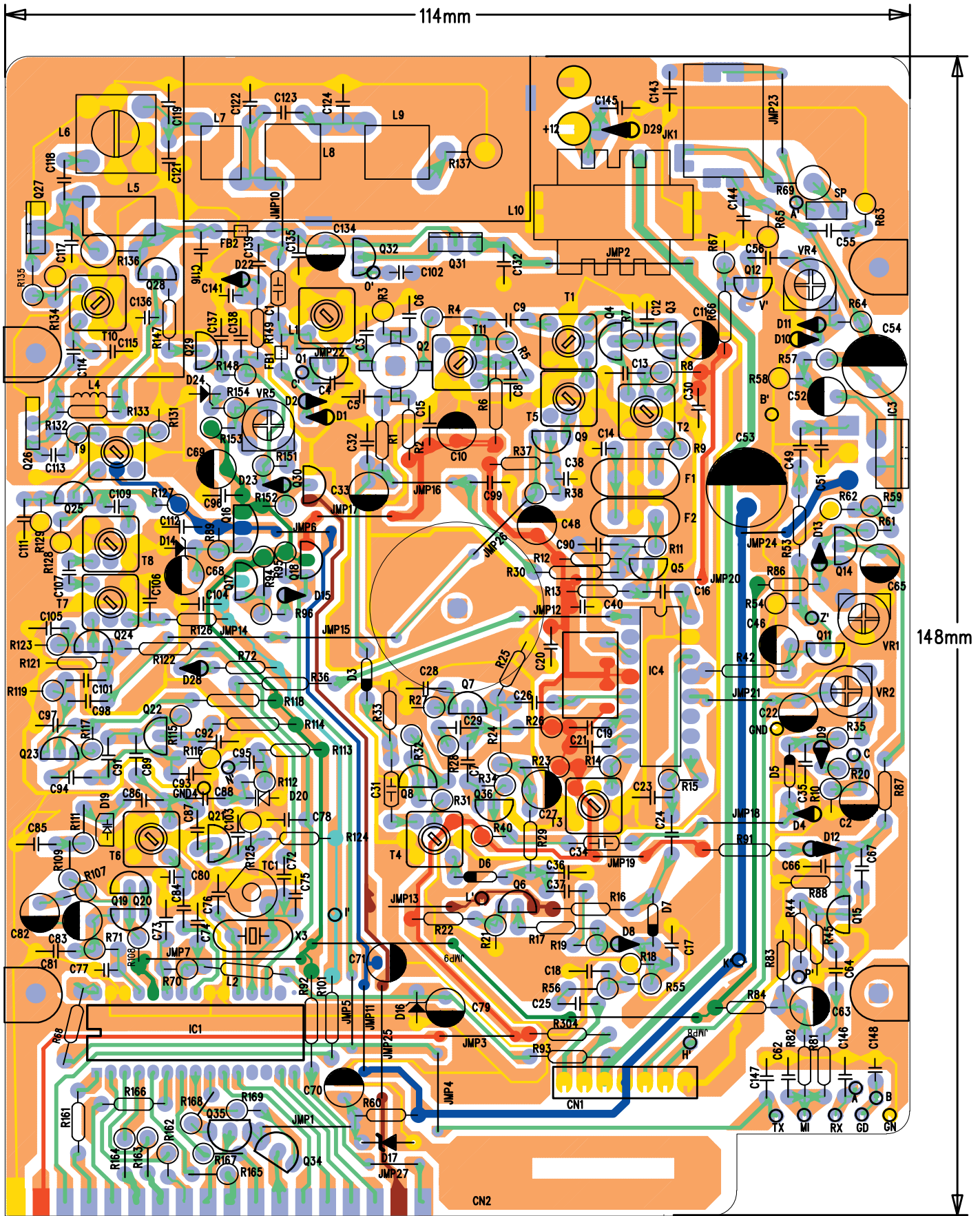


Danita1240 (40CH FM/40CH AM CB TRANSCEIVER) SCHEMATIC DIAGRAM

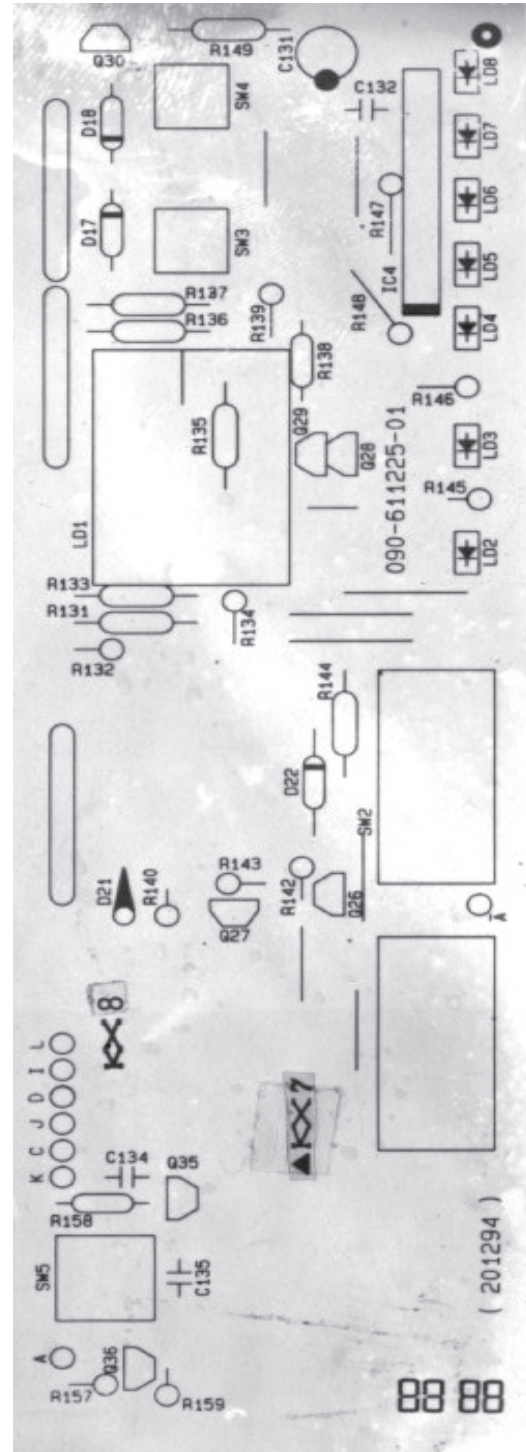
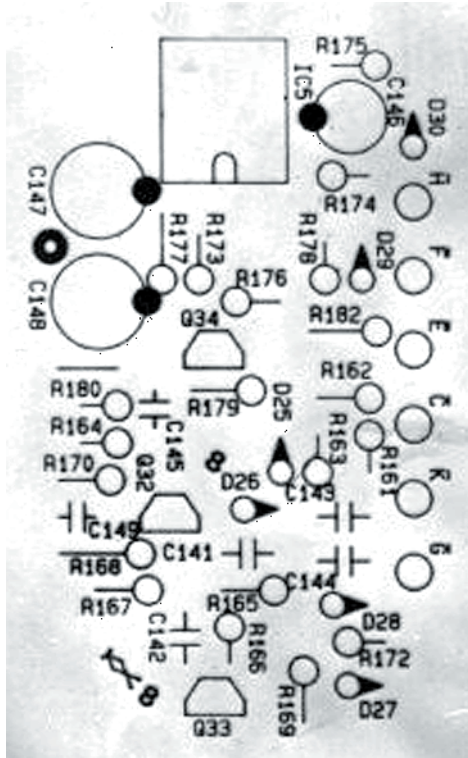


NOTES :
 1) ALL RESISTANCE VALUE ARE INDICATED IN "OHM" (K=1000 OHM (M=1000K))
 2) ALL CAPACITANCE VALUE ARE INDICATED IN "UF" (PF=0.0001UF)
 3) * MAY VARY FROM UNIT TO UNIT FOR BEST PERFORMANCE

| | |
|---|------------------------------|
| WINKLER INDUSTRIAL CO., LTD | |
| MODEL: DANITA1240AM/FM (40 CH FM / 40 CH AM TRANSCEIVER) | CAPFILE: DANITA1240AM/FM.SCH |
| VERSION: 1.00 | DATE: 2002-01-30 |
| DRAWN BY: Z.M.M.M | CHECK BY: |
| PAGE: 1 OF 1 | DATE: |



danita 1240AM



danita 1240AM