



Downloaded from www.cbradio.nl



LAND COMMUNICATION RANGE



www.gme.net.au



477 MHz super compact UHF radios

TX3100	3
TX3340	3

477 MHz UHF radios

TX3220	4
TX3420	4
TX3440	4
TX4400	5
TX4600	5

477 MHz UHF handheld radios

TX650	6
TX670	6
TX680	6

TX6100	7
BCM001 desktop multi charger	7
TX6200	8

27 MHz CB radios

TX2700	9
TX835	9
GX300B	9

wide band radio scanner

RX1300	10
--------------	----

in-car entertainment systems

Stereo and extension speakers	10-11
RC90	11
RD95	11

antennas	12
27 MHz	13
Mobile phone	13
AM/FM	13
Base station	13
477 MHz	14-15

antenna accessories

Mounting brackets	16
Springs and bases	16

power supplies

PSA and PSM series	17
VC series	18

comparison chart	19
-------------------------------	----

CONTENTS



477 MHz SUPER COMPACT UHF RADIOS

www.gme.net.au

GME



TX3100

5 Watt 40 channel UHF CB radio

The latest addition to the GME range, its super compact size and innovative 'flip' feature make for easy installation. Incorporating the latest Digital Signal Processing technology the introduction of the TX3100 marks the dawn of a new era in UHF communications.

features

- Unique 'flip' feature for flexible mounting.
- Powered by 'Pure Sound' DSP engine.
- User adjustable squelch.
- User selectable duplex channels.
- Programmable scan function.
- 50 in-built CTCSS codes, 104 in-built DCS codes.
- High contrast LCD display.



TX3340

5 Watt 40 channel remote mic UHF CB radio

The TX3340 is a feature packed super compact radio with the same Digital Signal Processing technology found in the TX3100. The remote LCD controller microphone allows it be unobtrusively mounted in modern vehicles. The extremely small radio case allows it be mounted in almost any location.

features

- Full function LCD microphone.
- Powered by 'Pure Sound' DSP engine.
- User adjustable squelch.
- User selectable duplex channels.
- User selectable open and group scan.
- 50 in-built CTCSS codes, 104 in-built DCS codes.
- 5 digit selcall with quiet mode.
- User selectable priority channel.



supplied with

- Mounting cradle
- Microphone clip
- DC lead

477 MHz UHF RADIOS



TX3220

5 Watt 40 channel compact UHF radio

Simple, practical and affordable, the TX3220 is a tough and compact UHF radio with an in-built 'Scanning Mode'. The unique slide-in mounting cradle makes installation simple, the solid die-cast chassis is built to last. This rugged unit is ideally suited to the harsh operating environment of earth moving equipment, tractors and 4WD's.

features

- User selectable priority channel.
- User selectable open and group scan.
- User adjustable squelch.
- User selectable duplex channels.
- 50 in-built CTCSS codes.
- Graphic signal strength meter.
- 20 extra dealer programmable receive channels (403–520 MHz).

TX3420

5 Watt 40 channel remote mount UHF radio

The design of the TX3420 with its remote head allows for easy installation when space is limited. Through rugged design, enhanced features and performance the TX3420 has rewritten the standard for 477 MHz radios.

features

- Remote mounting option.
- User selectable duplex channels.
- User selectable open and group scan.
- User adjustable squelch.
- 5 digit selcall with quiet mode.
- 50 in-built CTCSS codes.
- Digital signal strength meter.
- 59 extra user programmable receive channels (403–520 MHz).
- Frequency band scanning.

TX3440

5 Watt remote mic UHF radio

The TX3440 displays the same rugged design, enhanced features and performance as the TX3420. The remote head of the TX3420 is replaced with the remote LCD controller microphone giving the user the ability to control all features of the radio in the palm of their hand. The ideal radio choice when space is a premium.

features

- Full function LCD microphone.
- User selectable duplex channels.
- User selectable open and group scan.
- User adjustable squelch.
- 5 digit selcall with quiet mode.
- 50 in-built CTCSS codes.
- Digital signal strength meter.
- 59 extra user programmable receive channels (403–520 MHz).
- Frequency band scanning.



TX4400

5 Watt 40 channel DIN sized UHF radio

The TX4400 is a full DIN sized radio, its compact depth design allows for easy installation in confined spaces, and can be either bracket or dash mounted.

The combination of front facing speaker, large LCD screen, rotary volume, channel and squelch controls make this radio unique. Feature packed yet simple to use.

features

- Rear mount microphone option.
- Rotary channel, squelch and volume control.
- Front mount speaker.
- User selectable priority channel.
- User selectable open and group scan.
- 5 digit selcall with quiet mode.
- 50 in-built CTCSS codes.
- 10 selcall memories.
- 20 extra user programmable receive channels (465–485 MHz).
- ANI (Automatic Number Identification) and alpha labelling for selcall.

TX4600

5 Watt 40 channel Ingress protected UHF radio

The rugged design of the TX4600 includes an ingress protection rating of IP67 making it the ideal choice if the radio is likely to come into contact with dust or water. The TX4600 is especially suited for use on quad bikes and tractors.

The large backlit display clearly indicates the selected channel, signal strength and many other useful features.

features

- Ingress protected to IP67.
- User adjustable squelch.
- 5 digit selcall with quiet mode.
- User selectable open and group scan.
- User selectable priority channel.
- Tri-colour backlighting.
- 50 in-built CTCSS codes.
- 10 selcall memories.
- ANI and alpha labelling for selcall.
- 40 extra user programmable receive channels (403–520 MHz).



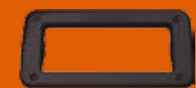
flush mount kits



The **TX3220** can be in-dash mounted with the optional **MBD001** DIN adapter kit.



The **TX4400** can be flush mounted with the optional **MK200B** flush mount kit.



The **TX4600** can be flush mounted with or without the optional **MK001B** flush mount kit.



The **TX4400** can be flush mounted using the optional **MK004** DIN mount kit.

477 MHz UHF HANDHELD RADIOS



TX650

1/0.5 Watt handheld UHF radio - twin pack

The innovative design of the TX650 has produced an ultra compact 1 Watt handheld radio that is only 12 mm thick. The size of the TX650 has not compromised performance with a feature set comparable to larger high power models. For close range communications the TX650 can be switched to 0.5 Watt which will increase the available talk time.

supplied with

- Twin desktop charger
- 240 Volt AC adapter
- 2 x ear microphones and neck lanyards

optional accessories



TX670

2/1 Watt handheld UHF radio

The all new design of the TX670 has resulted in an ergonomic and aesthetically pleasing feature packed 2 Watt radio. The circuit design of the TX670 incorporates a super sensitive receiver with front end filtering to maximise performance.

For close range communications the TX670 can be switched to 1 Watt to increase the available talk time.

supplied with

- 3 x 1500 mAh rechargeable AA batteries
- 240 Volt AC adapter
- Belt clip

optional accessories



Also available in twin packs.



TX680

3/1 Watt handheld UHF radio

The TX680 is a feature packed 3 Watt radio, with the receive sensitivity and front end filtering you have come to expect in a GME radio. Designed with performance and reliability in mind. The TX680 is ingress protected to IP54.

The TX680 can be switched to 1 Watt to increase the available talk time.

supplied with

- 1000 mAh Li-Ion rechargeable battery
- Semi-quick charger
- 240 Volt AC adapter
- Leather carry case with belt clip

optional accessories





TX6100

5/1 Watt handheld UHF radio

As well as all the features present in the TX680, the TX6100 also includes DCS, (Digital Coded Squelch), and a full 5 Watts of output power. The TX6100 is supplied with a high capacity Li-Ion battery.

For close range communications the TX6100 can be switched to 1 Watt to increase the available talk time.

supplied with

1700 mAh Li-Ion rechargeable battery
 Desktop fast charger
 240 Volt AC adapter
 Heavy duty holster with belt clip

optional accessories



common features

- **Scan** – The radio scans through all 40 channels.
- **Calling Tone** – One of five ringing tones can be selected and transmitted on any channel to alert other users that you are trying to make contact.
- **Dual Watch** – Allows you to set the radio to monitor any two selected channels.
- **Auto Power Save** – After a period of inactivity, the radio automatically switches to power save mode.
- **CTCSS** – This feature allows you to select one of 38 codes per channel. This stops unwanted signals being received.
- **Key Pad Lock** – When activated, the front buttons are disabled preventing accidental key press.
- **VOX** – When speaking, the radio automatically detects your voice and transmits without the need to press the PTT (Push to Talk) button.
- **Roger Beep** – The radio will send a short 'beep' when the PTT button is released.
- **Monitor Switch** – Pushing the monitor switch will open the radio's squelch.
- **Duplex Capable** – Used to access one of the many UHF repeaters around the country.
- **LCD Display** – The battery level and signal indicators are displayed along with selected functions.
- **Accessory Connection** – The radio provides a connection socket for the optional ear and speaker microphone.



BCM001

desktop multi-charger

Offering full flexibility, the new 6 way multi-charger is able to charge any combination of either the TX6100 or TX6200 at the same time.

The multi-charger is supplied without charging pockets allowing the user to purchase the appropriate pockets to suit their radio fleet.

features

- LED indicators to show 'charging' and 'charged' states.
- Average charge time - 4 hours.

optional accessories



477 MHz UHF HANDHELD RADIOS



TX6200

5/1 Watt handheld UHF radio

The TX6200 is a fully featured 40 Channel UHF CB radio with a wide band receiver. Capable of storing an extra 20 receive channels in the frequency band of 403-520 MHz, these extra channels can be included in the scan sequence of normal CB channels.

Containing all the usual GME features, the TX6200 has additional functions such as selcall with quiet mode and open and group scanning. The full 5 Watt output power and super sensitive receiver combine to provide maximum range.

The TX6200 has a solid die cast frame enclosing a single printed circuit board, and the front cover is made from a thick polycarbonate ABS blend making the TX6200 a very durable, rugged and reliable handheld.

The TX6200 can be switched to 1 Watt to increase the available talk time at close range.

supplied with

1200 mAh Ni-MH rechargeable battery
 Desktop fast charger
 240 Volt AC adapter
 Belt clip

optional accessories



BCD001



PS001



LE012



BCV001



HS003



LCO01



LCH001



MCO01



MCO04



BP001 /BP003



BCT001



CK6000A



CK6000



CC51



AE6000HG



AE7000

27 MHz CB RADIOS

www.gme.net.au

GME



TX2700

27 MHz AM CB radio*

The TX2700 is a full DIN sized radio, its compact depth allows for easy installation in confined spaces where it can be either bracket or in-dash mounted. The combination of front facing speaker, large LCD screen, rear mounting microphone option, as well as rotary volume, channel and squelch controls are what makes this radio unique.

features

- Unique rear mounting mic option.
- Advanced noise limiter (NL) circuitry.
- Channel up/down mic.
- Front facing speaker.
- Priority channel 8 for CB application.
- Large LCD display with dimming function.
- Signal strength meter.
- Rotary squelch and volume control.
- Channel scanning with memory.

TX835

27 MHz AM CB radio

The GME TX835 features a PLL frequency synthesiser which allows accurate selection of the full 40 channels of the 27 MHz Citizen Band radio service. In addition, in-built speech processor circuitry automatically raises the average level of your transmitted voice for greater clarity and better penetration under poor signal conditions.

The TX835 is designed in Australia for the Australian market.

features

- Full din size.
- Large front mounted speaker.
- Signal strength meter.
- Local/distance switching.
- Channel display dimmer for night driving.
- Advanced ISC interface suppression circuit.
- Instant channel 8 recall button on mic.

GX300B

27 MHz compact CB/marine radio*

The GX300B incorporates both the 27 MHz Citizens Band and the 27 MHz Marine Band in the one transceiver. The GX300B features rotary volume and squelch controls, front facing speaker as is ingress protected to IP55. The 70 mm depth of the GX300 means it is perfectly suited for shallow flush mounting applications.

features

- Compact design protected to IP55.
- User selection of CB or marine channels (26 MHz version available in New Zealand).
- Large LCD display with dimming function.
- Full channel scan.
- Dual watch function.
- Full function mic.
- Multiple mounting options.

flush mount kits



The **TX2700** and **TX835** can be flush mounted with the optional **MK200B** kit or **MK004** DIN mount kit.



The **GX300** can be mounted with the optional **MBD002B** DIN adapter kit, or with the **MK001B** flush mount kit.



*26 MHz version available in New Zealand

WIDE BAND RADIO SCANNER - RX1300

The RX1300 wideband analogue scanner has been designed to meet many requirements. With the RX1300 you will be able to listen to analogue transmissions from a range of sources some of which are emergency services, marine, railroad, aircraft, motor racing pit crews and drivers, other sporting events, TV and AM/FM broadcasts to name a few.

features

- Frequency range: 150 kHz - 1309 MHz including aviation N.D.B.s.
- 11 frequency bands.
- Channel scanning.
- Priority scanning.
- Dual watch capability.
- 1300 memory locations.
- Direct frequency input.
- Adjustable squelch control.
- Backlit LCD display.

supplied with

- Antenna
- High capacity 1900 mAh Li-Ion battery pack
- Earphone
- Desktop charger
- AC Power adapter
- Lanyard strap

optional accessory



BPO12



extension speakers

SPK45B

8 Ohm, 4 Watts Mylar Cone speaker with metallic dust cap, can be flush mounted.
65 (h) x 65 (w) x 64 (d) mm.



SPK07

8 Ohm, dust/water resistant speaker with Mylar Cone size 57 mm (2.2").
Nominal 2 Watts maximum 3 Watts.
67 (h) x 75 (w) x 31 (d) mm.



SPK04

High performance, compact speaker, elliptical 4 Ohm.
Nominal 3 Watts

maximum 5 Watts.
66 (h) x 113 (w) x 56 (d) mm.



SPK09

4 Ohm speaker, nominal 7 Watts maximum 13 Watts. 112 (h) x 123 (w) x 63 (d) mm.



SPK08

8 Ohm speaker, nominal 7 Watts maximum 13 Watts.
192 (h) x 182 (w) x 63 (d) mm.



IN-CAR ENTERTAINMENT SYSTEMS

www.gme.net.au



The GME RC90 and RD95 in-car stereo systems are arguably some of the finest audio products available today. Designed with the music buff in mind they offer music enthusiasts the same level of audio quality normally reserved for high end home entertainment systems.



iPod and personal MP3 player compatible

STEREO SPEAKERS

RC90

CD/MP3 player/
AM/FM radio

RD95

DVD/CD/MP3 player/
AM/FM radio



SPK011B

flush mount stereo speakers

Flush mount 133 mm (5 1/4") diameter 2 way coaxial speakers. Supplied in a pack of two.

features

- 110 Watts x 2*
- Speaker impedance 4 Ohm.
- Includes mounting hardware and speaker cable.

*Peak to peak music power per speaker, refer to website.



SPK012B

flush mount stereo speakers

Flush mount 152 mm (6") x 229 mm (9") oval 3 way coaxial speakers. Supplied in a 2 pack.

features

- 140 Watts x 2*
- Speaker impedance 4 Ohm.
- Includes mounting hardware and speaker cable.

*Peak to peak music power per speaker, refer to website.

The RC90 and RD95

These products have been developed utilising a combination of the very latest in digital electronic technology and the design expertise gained by GME engineers over several decades of product development.

features

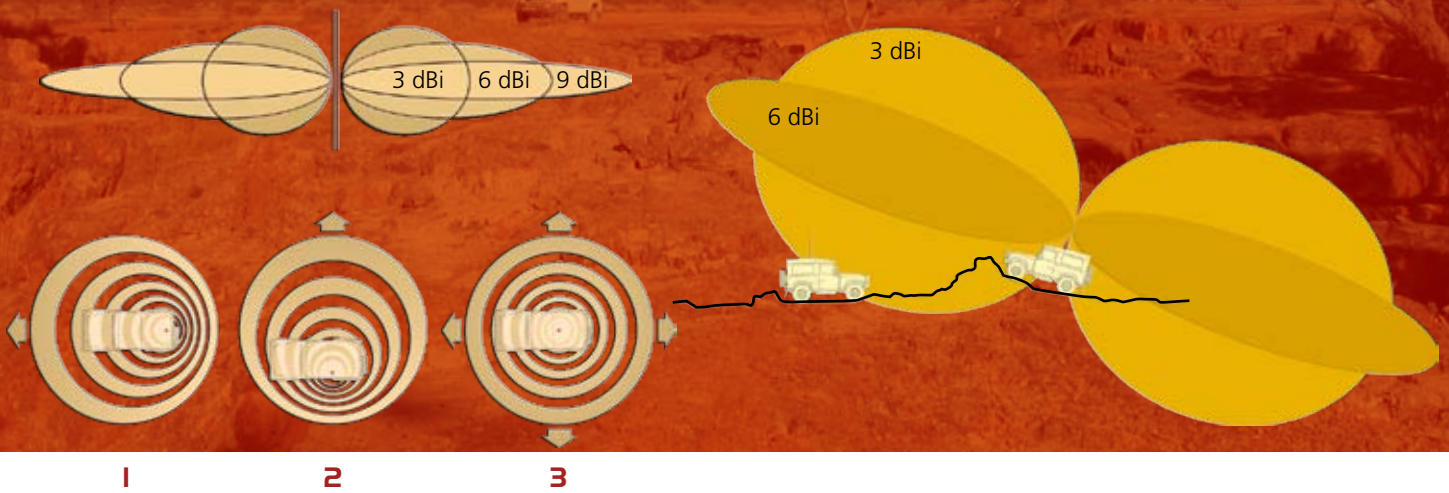
- Unique MP3 via CD/USB/SD card and auxiliary inputs.
- Backlit colour LCD screen.
- Detachable front face panel.
- Infrared remote control.
- 4 x 45 Watt power output.
- iPod* and personal MP3 player compatible.

supplied with

Remote control
DC/speaker cable harness
Screw pack and support strap

*iPod is a trademark of Apple Computer Inc., registered in the US and other countries.

ANTENNAS



GME offers a wide range of 27 MHz, 477 MHz and Cellular Antennas. Manufactured to exacting high standards to suit the GME range of market leading radios suited for all applications and offering exceptional performance, reliability and value.

Two important factors when choosing an antenna are the mounting position and the desired radiating patterns for the terrain in which the antenna is intended to be used.

mounting positions

An antenna needs a large uniform metal surface beneath the radiating elements to perform correctly. This is referred to as a 'Ground Plane'. Therefore the best position to install an antenna is in the centre of a metal roof, however, this is not always possible as installation on a bull bar or mirror mount is often necessary. In this case a 'Ground Independent' antenna should be used to give the antenna its desired radiating pattern without metal beneath.

radiating patterns

The relation of an antenna's gain to its radiating pattern is important to understand, as shown in the top diagram above. As the electrical design of the antenna is modified to increase the gain, the omnidirectional pattern is squashed in a vertical plane and is enhanced in a horizontal plane. This expands the signal's coverage. A high gain antenna will therefore give increased coverage on flat terrain but the elevation will be limited making it unsuitable in mountainous regions.

radiating pattern on a flat metal surface

The direction of a 'Non Ground Independent' antenna radiation pattern varies with the vehicle mounting position.

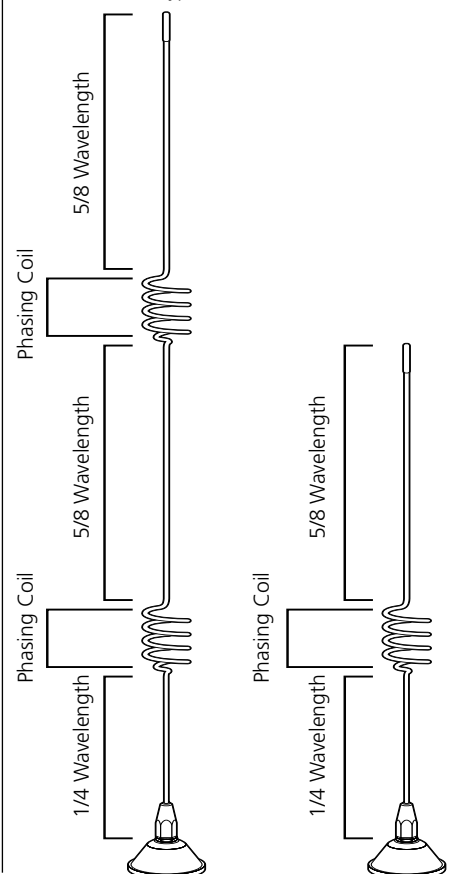
- 1** REAR – Strongest to the front, weak to the rear.
- 2** LEFT – Strongest to the right, weaker to the left (antenna right – vice versa).
- 3** CENTRE – All directions equal (best).

the antenna to suit the terrain

Lower gain antennas are more suited for hilly terrain where reception does not depend on the angle of the antenna, see diagram above.

antenna construction

Below are two examples of the electrical construction of antennas. High Gain antennas (typical 6 to 9 dBi) are usually longer than Low Gain antennas (typical 4.5 to 6 dBi).



27 MHz/CELLULAR/AM/FM & BASE STATION ANTENNAS



AE2400 NZ AE2401 NZ AE2402 NZ AE2403N NZ* AE2001 AE2007 NZ AE2008 AE220 NZ AE221W AE203 AEM2 AT6DB G AE4106 AE4108 AE4110 AE2102

27 MHz ANTENNA RANGE		
CODE	TYPE	LENGTH (mm)
AE2001	Black flexible rubber helical	320
AE2400	Black fibreglass helical whip, pre-tuned for 27 MHz.	600
AE2400N	Black fibreglass helical whip, pre-tuned for 26 MHz.	600
AE2401	Black fibreglass helical whip, pre-tuned for 27 MHz.	900
AE2401N	Black fibreglass helical whip, pre-tuned for 26 MHz.	900
AE2402	Black fibreglass helical whip, pre-tuned for 27 MHz.	1200
AE2402N	Black fibreglass helical whip, pre-tuned for 26 MHz.	1200
AE2403N	Black fibreglass helical whip, pre-tuned for 26 MHz.	1500
AE2007	Stainless steel base loaded pre-tuned for 27 MHz.	1200
AE2007N	Stainless steel base loaded pre-tuned for 26 MHz.	1200
AE2008	Black stainless steel base loaded pre-tuned for 27 MHz.	1200
AE220 G1	Black fibreglass base loaded helical whip, pre-tuned for 27 MHz, 4.5 m of low loss coaxial cable.	1100
AE220N G1	Black fibreglass base loaded helical whip, pre-tuned for 26 MHz, 4.5 m of low loss coaxial cable.	1100
AE221W G1	White fibreglass base loaded helical whip, pre-tuned for 27 MHz, 4.5 m of low loss coaxial cable.	1100

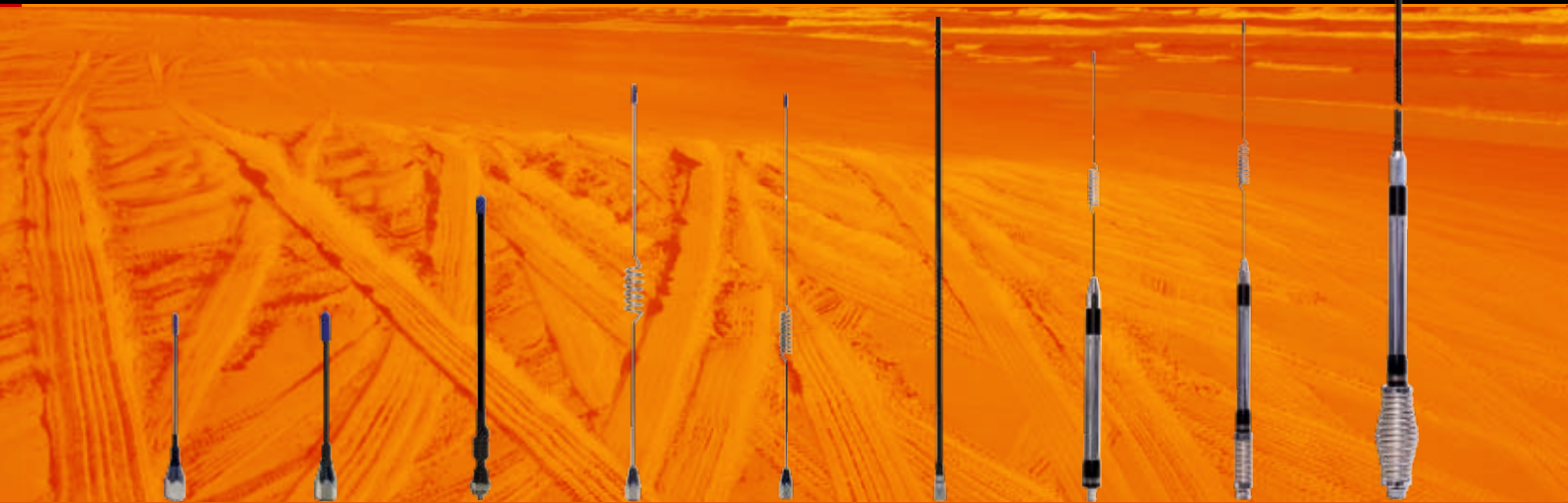
MOBILE PHONE			
CODE	TYPE	LENGTH (mm)	GAIN (dBi)
AT6DB G1	Dual band mobile phone antenna (824-960 MHz and 1710-2170 MHz), white fibre glass raydome chrome ferrule and spring 4.5 m of low loss cable.	800	6.1
AT6DBG G1	Dual band mobile phone antenna (824-960 MHz and 1710-2170 MHz), grey fibre glass raydome chrome ferrule and spring 4.5 m of low loss cable.	800	6.1

AM/FM			
CODE	TYPE	LENGTH (mm)	GAIN (dBi)
AEM2	Black fibreglass helical whip pre-tuned for AM and FM broadcast bands.	1560	
AEM3	Black fibreglass helical whip pre-tuned for AM and FM broadcast bands.	800	

BASE STATION ANTENNAS			
CODE	TYPE	LENGTH (mm)	GAIN (dBi)
AE4106 G1	477 MHz base antenna, white fibreglass raydome, stainless steel base, N connector fitting.	1500	6
AE4108 G1	477 MHz base antenna, white fibreglass raydome, stainless steel base, N connector fitting.	2400	8
AE4110 G1	477 MHz base antenna, white fibreglass raydome, stainless steel base, N connector fitting.	3900	10
AE2102 G1	27 MHz base antenna, white fibreglass raydome, stainless steel base, N connector fitting.	5400	2.1

*New Zealand only

477 MHz ANTENNAS



AE4001

AE4002

AE4005

AE4007/8

AE4012/7

AE4018

AE4012/7K1

AE4012/7K2

AE4018K1



AE4700 SERIES *

The AE4700 series is the most diverse and adaptable range of large vehicle mount antennas on the market today. Engineered with the coaxial termination protected inside the spring assembly and easy screw down fitment of the whip, the antenna can easily be changed for different gain and lengths to suit operating conditions. This is beneficial when coming from flatter open plains where a two metre high gain antenna is needed compared to driving in the city where a lower gain, shorter length is required.

Any of the whips in the AE4700 range can be effortlessly interchanged without changing the AE4705/6 spring base. The AE409L, AE4401 ground independent steel whips and the AE4013 will also fit onto the spring base, this offers an alternative to thicker radomes. *Patent No. 776598



AE4700 Range interchangeable without changing the AE4705/6 spring base.

G Also available in grey
W Also available in white

GI Ground independent

dBi - dBd COMPARISON

There are a number of different ways an antenna's gain can be rated, the most common two are dBi and dBd.

dBi is the amount of gain of an antenna with respect to an isotropic radiator where as dBd refers to the antenna gain with respect to a reference dipole. It is now becoming more common in the radio industry for dBi to be used when rating antennas. To convert dBi to dBd the following formula can be used $dBd = dBi - 2.15$.

477 MHz ANTENNA RANGE			
CODE	TYPE	LENGTH (mm)	GAIN (dBi)
AE4001	Highly flexible stainless steel wire whip, chrome ferrule.	150	2.1
AE4002	Highly flexible stainless steel wire whip (internal), black heat shrink chrome ferrule.	151	2.1
AE4005	Highly flexible, ferrule and mounting nut for easy installation includes 4.5 m of low loss coaxial cable.	370	2.1
AE4007	Heavy duty stainless steel whip, chrome plated ferrule.	600	6.6
AE4008	Heavy duty black stainless steel whip, chrome plated ferrule.	600	6.6
AE4012	Heavy duty stainless whip, chrome ferrule.	600	6.6
AE4017	Heavy duty black stainless steel whip, chrome ferrule.	600	6.6
AE4013	Highly flexible whip, designed to mount into SO239.	380	2.1
AE4401	Fold down stainless steel/anodised finish with 4.5 m of low loss cable pre terminated FME connector and adaptor.	850	6



AE4014 AE409L AE4006 AE4013 AE4401 AE4701 AE4702 AE4703 AE4705 AE4706

477 MHz ANTENNA RANGE

CODE	TYPE	LENGTH (mm)	GAIN (dBi)
AE4014 	White fibreglass raydome with electro polished ferrule and stainless steel spring, 4.5 m of low loss coaxial cable.	800	2.1
AE4014G 	Grey fibreglass raydome with electro polished ferrule and stainless steel spring, 4.5 m of low loss coaxial cable.	800	2.1
AE4018	Fibreglass with braided/ precision wound copper element, black heat shrink and chrome plated ferrule.	640	6.6
AE4018W	Fibreglass with braided/ precision wound copper element, white heat shrink and chrome plated ferrule.	640	6.6
AE4012K1 	AE4012 whip with high quality elevated feed, 4.5 m of low loss coaxial cable.	780	6.6
AE4017K1 	AE4017 whip with high quality elevated feed, 4.5 m of low loss coaxial cable.	780	6.6
AE4012K2 	AE4012 whip with high quality elevated feed and electro polished stainless steel parallel spring, 4.5 m low loss coaxial cable.	860	6.6
AE4017K2 	AE4017 whip with high quality elevated feed and electro polished stainless steel parallel spring, 4.5 m low loss coaxial cable.	860	6.6
AE4018K1 	AE4018 whip with high quality elevated feed and electro polished stainless steel barrel spring, 4.5 m low loss coaxial cable.	980	6.6
AE4018K1W 	AE4018W whip with high quality elevated feed and electro polished stainless steel barrel spring, 4.5 m low loss coaxial cable.	980	6.6

477 MHz ANTENNA RANGE

CODE	TYPE	LENGTH (mm)	GAIN (dBi)
AE409L 	Fold down antenna with 2 stainless steel whip sets (differing gains), 4.5 m of low loss coaxial cable.	830/1230	6-9
AE4006	Fibreglass with braided/ precision wound copper element, black heat shrink and chrome plated ferrule.	1200	8.1
AE4701 	White fibreglass raydome with electro polished ferrule and stainless steel parallel spring, 4.5 m of low loss coaxial cable.	580	2.1
AE4702 	White fibreglass raydome with electro polished ferrule and stainless steel barrel spring, 4.5 m of low loss coaxial cable.	1040	6.6
AE4703 	White fibreglass raydome with electro polished ferrule and medium duty stainless steel parallel spring, 4.5 m of low loss coaxial cable.	1100	6.6
AE4703G 	Grey fibreglass raydome with electro polished ferrule and medium duty stainless parallel spring, 4.5 m of low loss coaxial cable.	1100	6.6
AE4705 	White fibreglass raydome with electro polished ferrule and heavy duty stainless steel barrel spring, 4.5 m of low loss coaxial cable.	1200	6.6
AE4705G 	Grey fibreglass raydome with electro polished ferrule and heavy duty stainless steel barrel spring, 4.5 m of low loss coaxial cable.	1200	6.6
AE4706 	White fibreglass raydome with electro polished ferrule and heavy duty stainless steel barrel spring, 4.5 m of low loss coaxial cable.	2100	8.1
AE4706G 	Grey fibreglass raydome with electro polished ferrule and heavy duty stainless steel barrel spring, 4.5 m of low loss coaxial cable.	2100	8.1

ANTENNA ACCESSORIES



MB017



MB018



MB401SS



MB403SS



MB404SS



MB405SS



MB406SS



MB407



MB407SS



MB024SS



MB408B



MB408SS



MB101SS



MB102SS



MB103SS



MB104SS



MB105SS



MB03

MOUNTING BRACKETS			SPRINGS AND BASES	
CODE	TYPE	LENGTH	CODE	TYPE
MB017	Ford Falcon/ Territory driver's side front	1.5 mm stainless steel	AB001	27/477 MHz base (5/16" TPI thread)
MB018	Ford Falcon/ Territory passenger's side front.	1.5 mm stainless steel	ABL001	27/477 MHz base and lead (5/16" TPI thread)
MB401SS	Mirror mount	2.5 mm stainless steel	ABL002	Elevated feed with 4.5 m low loss foam coaxial (BSW thread)
MB403SS	L-shaped universal	1.5 mm stainless steel	ABL004	S0239 centre, with 5 m low loss foam coaxial (suits AE4700 series).
MB404SS	Holden bracket	1.5 mm stainless steel	AB406	Magnetic base/ lead assembly (5/16" TPI thread)
MB405SS	L-shaped	2.5 mm stainless steel	AS001	Light duty parallel spring (BSW thread)
MB406SS	VT Commodore gutter bracket	1.5 mm stainless steel	AS002	Medium duty barrel spring (BSW thread)
MB407	Bonnet/ boot 'Z'	1.5 mm stainless steel	AS003	Medium duty parallel spring (BSW thread)
MB407SS	Bonnet/ boot 'Z'	1.5 mm stainless steel	AS004	Heavy duty barrel spring (suits AE4705/6)
MB03	Adjustable gutter mount	Die-cast aluminium		
MB024SS	Bull bar antenna mounting	3 mm stainless steel		
MB408B	Bull bar antenna mounting	3 mm black mild steel		
MB408SS	Bull bar antenna mounting	3 mm stainless steel		
MB101SS	38 mm bull bar bracket	3 mm stainless steel		
MB102SS	45 mm bull bar bracket	3 mm stainless steel		
MB103SS	50 mm bull bar bracket	3 mm stainless steel		
MB104SS	63 mm bull bar bracket	3 mm stainless steel		
MB105SS	76 mm bull bar bracket	3 mm stainless steel		



AS001 AS002 AS003 AS004



AB001 ABL001 ABL004 AB406 ABL002

POWER SUPPLIES

www.gme.net.au


PSA SERIES

regulated DC power supply

The PSA series of power supplies feature rugged steel construction, superior performance and unparalleled reliability with less than 20 mV ripple at the continuous rating. This makes them ideal for all RF and computer applications.

features

- Over Voltage Protection (OVP)** – In the event of a failure within the power supply causing the output voltage to increase, the OVP circuit will cause the internal fuse to blow, preventing damage to any equipment attached to the power supply.
- Current Limiting Circuit** – If the peak current rating is exceeded due to a short circuit or excessive load across the output terminals, the output current will be limited to a safe level, preventing damage to the power supply.
- Thermal Fuse Protection** – The high efficiency double insulated power transformer contains a built-in thermal fuse to protect the power supply against over heating or burnout.
- Rugged Construction** – Vented wrap-around steel cover, high efficiency heat sinks, heavy duty construction and PC board mounted regulator circuitry.

PSA SERIES

MODEL	PEAK CURRENT (Amps)	CONTINUOUS CURRENT (Amps)	CONTINUOUS CURRENT @ 13.8 V (Amps)	CONTINUOUS CURRENT @ 9 V	DIMENSIONS H X W X D (mm)	WEIGHT (Kgs)
PSA123	4	1.5	1.5	500 mA	76 x 102 x 185	1.7
PSA126	7	2	2	500 mA	85 x 120 x 190	2.65
PSA1210	11	5	5	500 mA	105 x 160 x 212	4.05

PSM SERIES

switch mode power supply

The PSM Series eliminates the need for a heavy transformer making them a highly efficient and cost effective alternative. Fully suppressed and meeting relevant local safety and EMC requirements ensures interference free operation with radio equipment.

features

- Suitable for most communication equipment applications or where stable regulated DC voltage is required.
- High efficiency switch mode technology for cooler operation and longer life.
- Cooling via thermally controlled in-built fan.
- Compact, lightweight aluminium heat sink.

PSM SERIES

MODEL	PEAK CURRENT (Amps)	CONTINUOUS CURRENT (Amps)	DIMENSIONS H X W X D (mm)	WEIGHT (Kgs)
PSM1215	15*	12*	69 x 173 x 124	1.2
PSM1225	25	20	73 x 173 x 190	1.9
PSM1235	35	30	74 x 173 x 234	2.2

* Includes 5A @ 12V max via lighter socket. Total continuous of both outputs combined not to exceed 12 Amps.



VC SERIES

voltage converters

An innovative concept in voltage converters, with in-built protection for equipment and vehicle electronics.

features

- 24 – 13.2 Volt switch-mode operation.
- High Performance, high reliability.
- Soft shutdown fault protection.
- Quick and easy super-safe installation process.

VC SERIES			
FEATURES	VC4S	VC7S	VC10S
Type	Switch mode non-isolated	Switch mode non-isolated	Switch mode non-isolated
Input	15 – 38 V DC	15 – 38 V DC	15 – 38 V DC
Output	13.2 V DC	13.2 V DC	13.2 V DC
Constant current -100% duty cycle	3.8 A	6.8 A	10 A
Intermittent current (30% duty cycle)	7 A	11 A	14 A
Quiescent current	< 15 mA	< 15 mA	< 15 mA
Oscillator frequency	60 kHz	60 kHz	60 kHz
Transient voltage	Level 3 @ 2 kV	Level 3 @ 2 kV	Level 3 @ 2 kV
Protection	Overload reverse polarity short circuit soft-shutdown	Overload reverse polarity short circuit soft-shutdown	Overload reverse polarity short circuit soft-shutdown
Efficiency (approx.)	91%	90%	89%
Connection	4 x spade	4 x spade	4 x spade
Colour	Black/gold	Black/gold	Black/gold
Dimensions H x W x D (mm)	32 x 73 x 74	32 x 73 x 85	32 x 73 x 94
Weight	152g including fixings	198g including fixings	211g including fixings
Warranty	12 month warranty	12 month warranty	12 month warranty

RADIO COMPARISON CHART

SERIES	477 MHz RADIOS						HANDHELD RADIOS					27 MHz RADIOS		
	MODELS	TX3100	TX3340	TX3220	TX3420/ TX3440	TX4400	TX4600	TX650	TX670	TX680	TX6100	TX6200	TX2700	TX835
RF output (Watt)	5	5	5	5	5	5	1/0.5	2/1	3/1	5/1	5/1	4	4	4
Hi/Lo RF output							•	•	•	•	•			
No. of channels	40	40	40	40	40	40	40	40	40	40	40	40	40	40
Scan mode	•	•	•	•	•	•	•	•	•	•	•	•		•
OS and GS scan mode											•			
Selectable priority channel		•	•	•	•	•					•			•
Active channel transmit in scan	•	•												
Selectable duplex channel	•	•	•	•	•	•	•	•	•	•	•			
Selcall (Tone)		5		5	5	5					5			
CTCSS	•	•	•	•	•	•	•	•	•	•	•			
DCS	•	•									•			
Auto number ID (ANI)		•		•	•	•					•			
Alpha labelling (selcall)		•		•	•	•					•			
Quiet mode		•		•	•	•					•			
Digital signal strength meter		•		•	•	•					•			
Graphic signal strength meter			•				Graphic signal indicator					•	•	
Advanced power saving mode							•	•	•	•	•			
Backlit LCD	•	•	•	•	•	•	•	•	•	•	•	•		•
Rotary channel selector			•	• [∞]	•							•	•	
Front mounted speaker					•	•	•	•	•	•	•	•	•	•
Remote mounting		•		•										
Die-cast chassis	•	•	•	•	•	•					•			•
Slide-in mounting cradle			•	•										
Flip feature	•													
Programmable extra receive channels			20 [†]	59 [†]	20 [*]	40 [†]					20 [†]			
No. of user receivable frequencies			9360	9360	1600	9360					9360			
User adjustable beep tone level	•	•												
Dealer adjustable microphone sensitivity	•	•												
External speaker socket	•	•	•	•	•	•	•	•	•	•	•	•	•	•
VOX							•	•	•	•	•			
Keypad lock		•		•			•	•	•	•	•			
Monitor switch	•	•	•	•	•	•	•	•	•	•	•			
Battery capacity (mAh)							720	1500	1000	1700	1200			
Push button channel selection	•	•		• ^Δ		•	•	•	•	•	•	•		•
Rotary volume control			•	• [∞]	•	•		•	•	•	•	•	•	•
Adjustable squelch control	•	•	•	•	•	•		•	•	•	•	•	•	•
Electret microphone	•	•	•	•	•	•	•	•	•	•	•	•	•	•
Dimensions (H x W x D mm)	23 x 102 x 87	23 x 102 x 87	29 x 128 x 117 ⁺	29 x 128 x 117 ⁺	52 x 171 x 95 ⁺	65 x 164 x 56 ⁺	90 x 54 x 12	110 x 55 x 30 [^]	110 x 62 x 30	110 x 62 x 30 [^]	145 x 62 x 39 [^]	52 x 171 x 95	52 x 171 x 173 ⁺	65 x 164 x 55 ⁺
Warranty period (yrs)	3	3	3	3	3	3	1	1	1	1	2	1	1	1

∞3420 only Δ3440 only †From 403-520 MHz *From 465-485 MHz ^Measured without antenna +Body measurement only

Specifications are subject to change without notice or obligation.



www.gme.net.au 



A division of **Standard Communications Pty. Ltd.**

HEAD OFFICE: Locked Bag 2086 North Ryde, NSW 1670, Australia.

PHONE: +61 (0)2 9844 6666 **FAX:** +61 (0)2 9844 6600

BRISBANE: (07) 3278 6444 **MELBOURNE:** (03) 9798 0988 **PERTH:** (08) 9455 5744

ADELAIDE: (08) 8234 2633 **AUCKLAND:** (09) 274 0955 **SYDNEY:** (02) 9879 8888

