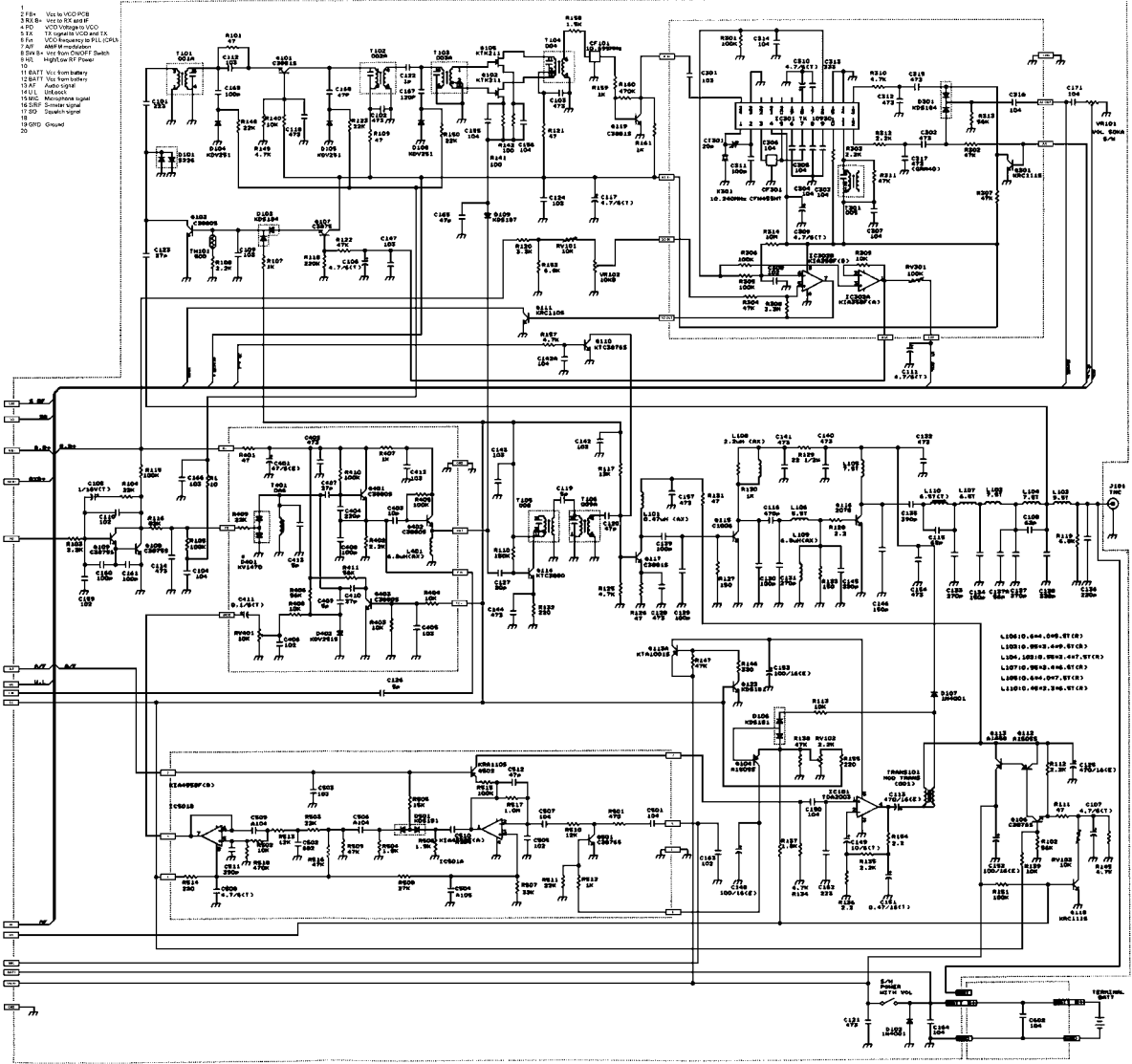
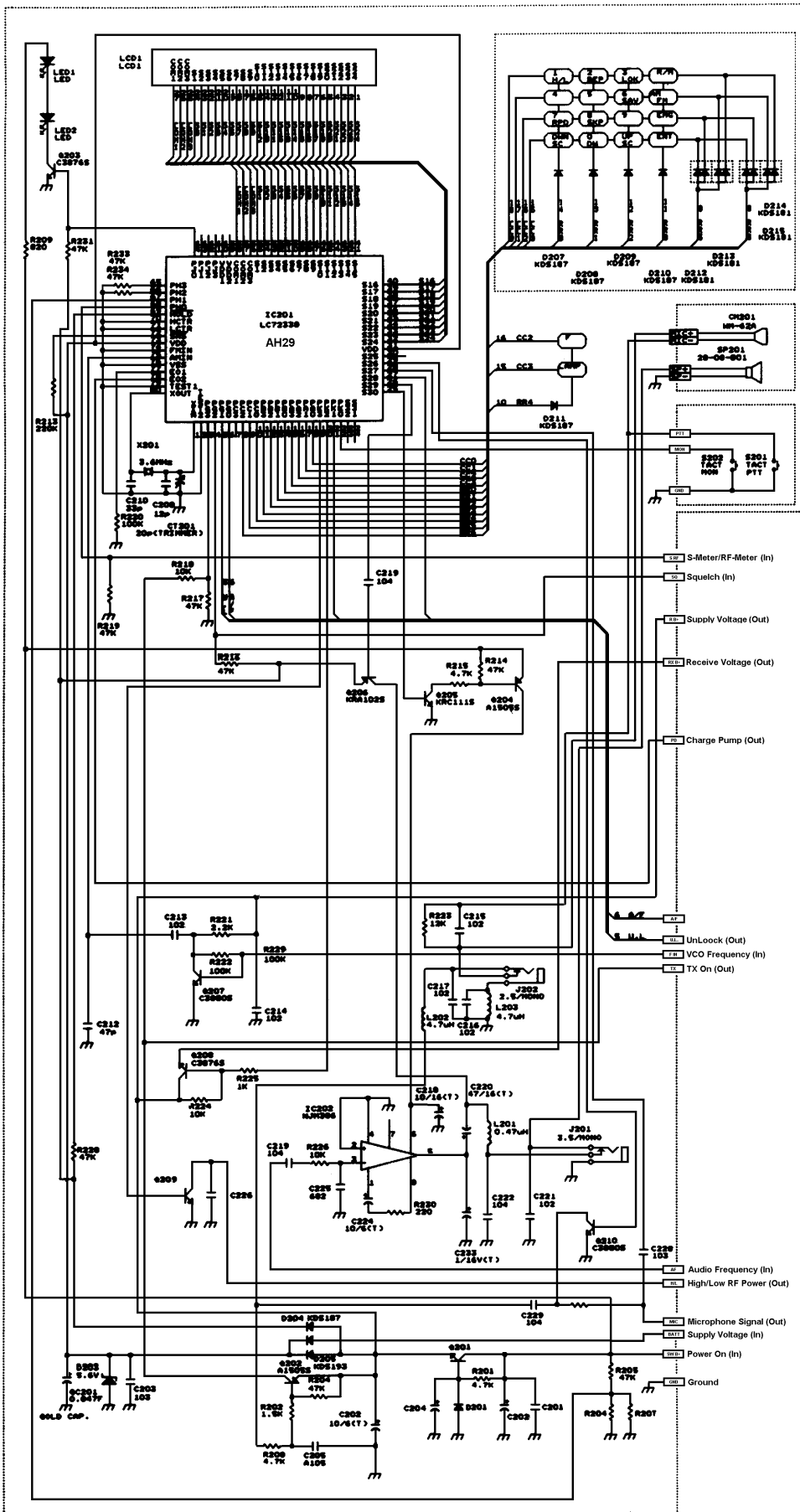


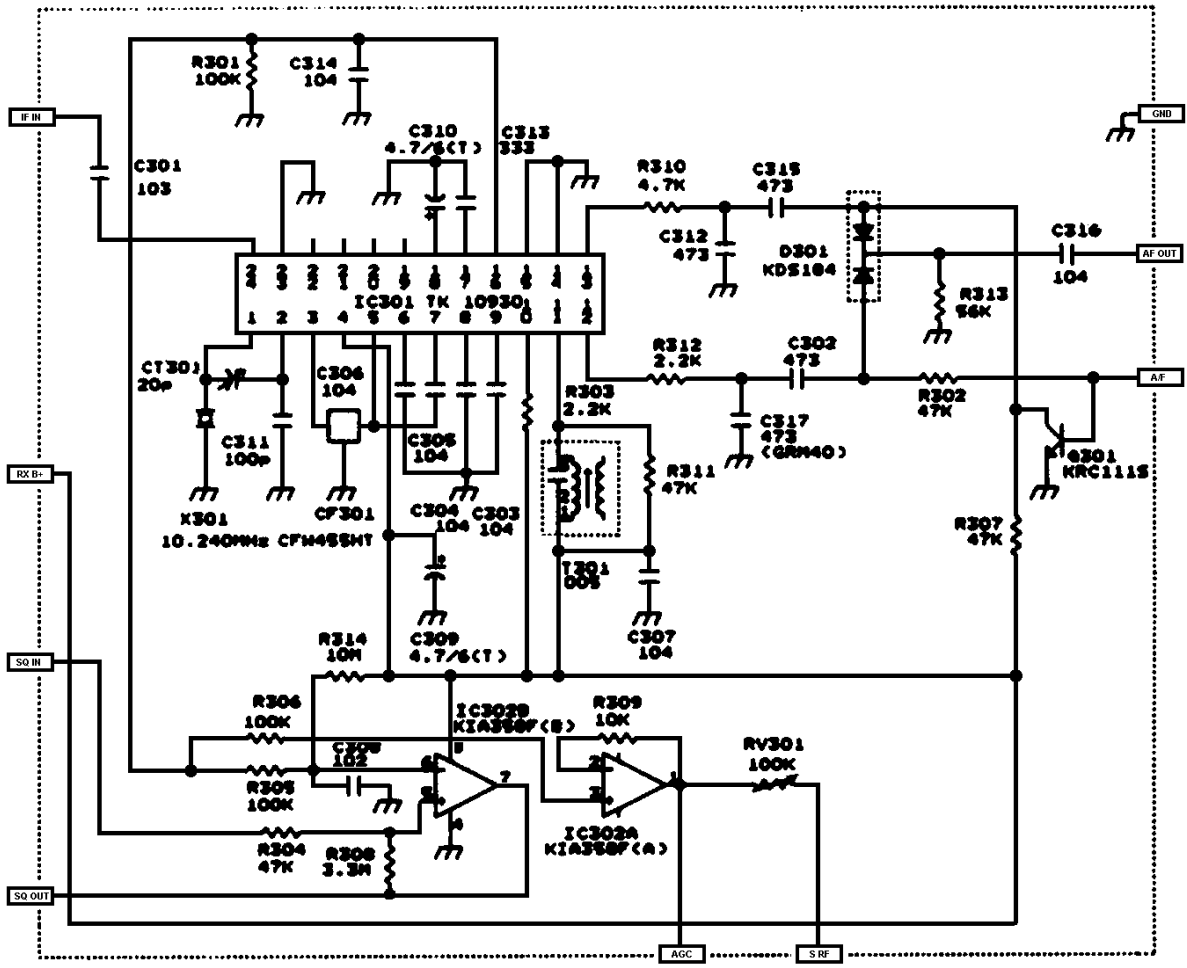
- 1 F1A Vcc to VCC PCB
- 2 R18A Vcc to TX 4.7k
- 3 R19 VCC to VCC PCB
- 4 R20 VCC to VCC PCB
- 5 TX TX to VCC PCB
- 6 TX TX to VCC PCB
- 7 TX TX to VCC PCB
- 8 TX TX to VCC PCB
- 9 TX TX to VCC PCB
- 10 TX TX to VCC PCB
- 11 TX TX to VCC PCB
- 12 TX TX to VCC PCB
- 13 TX TX to VCC PCB
- 14 TX TX to VCC PCB
- 15 TX TX to VCC PCB
- 16 TX TX to VCC PCB
- 17 TX TX to VCC PCB
- 18 TX TX to VCC PCB
- 19 TX TX to VCC PCB
- 20 TX TX to VCC PCB

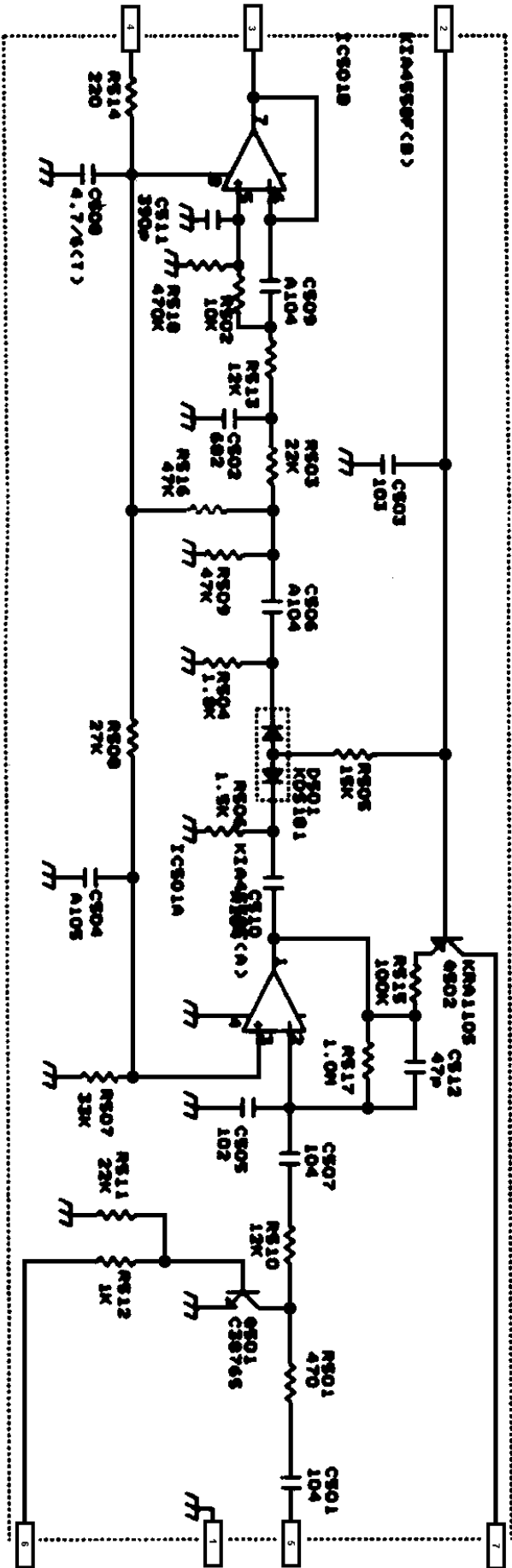


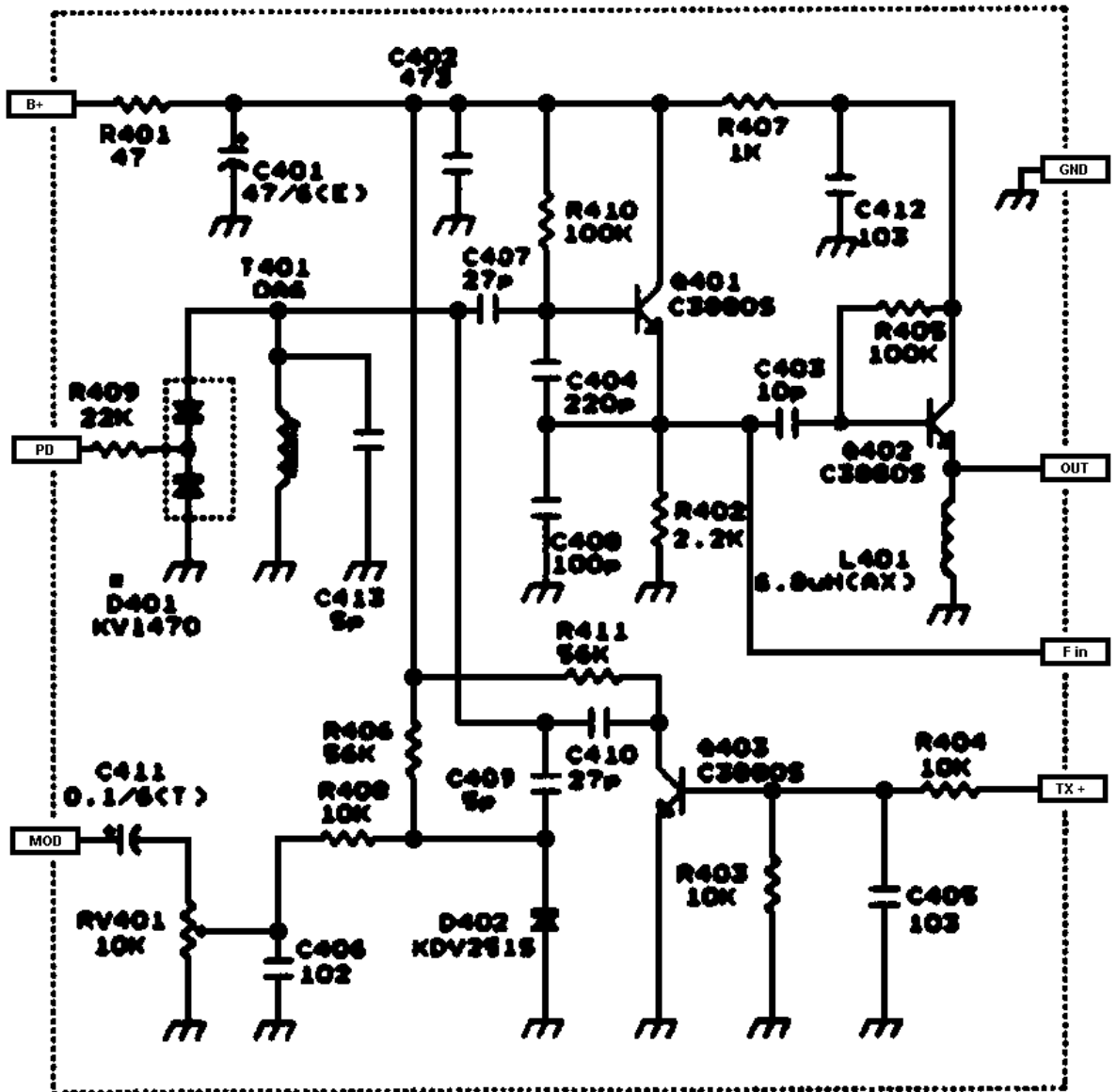
Downloaded From

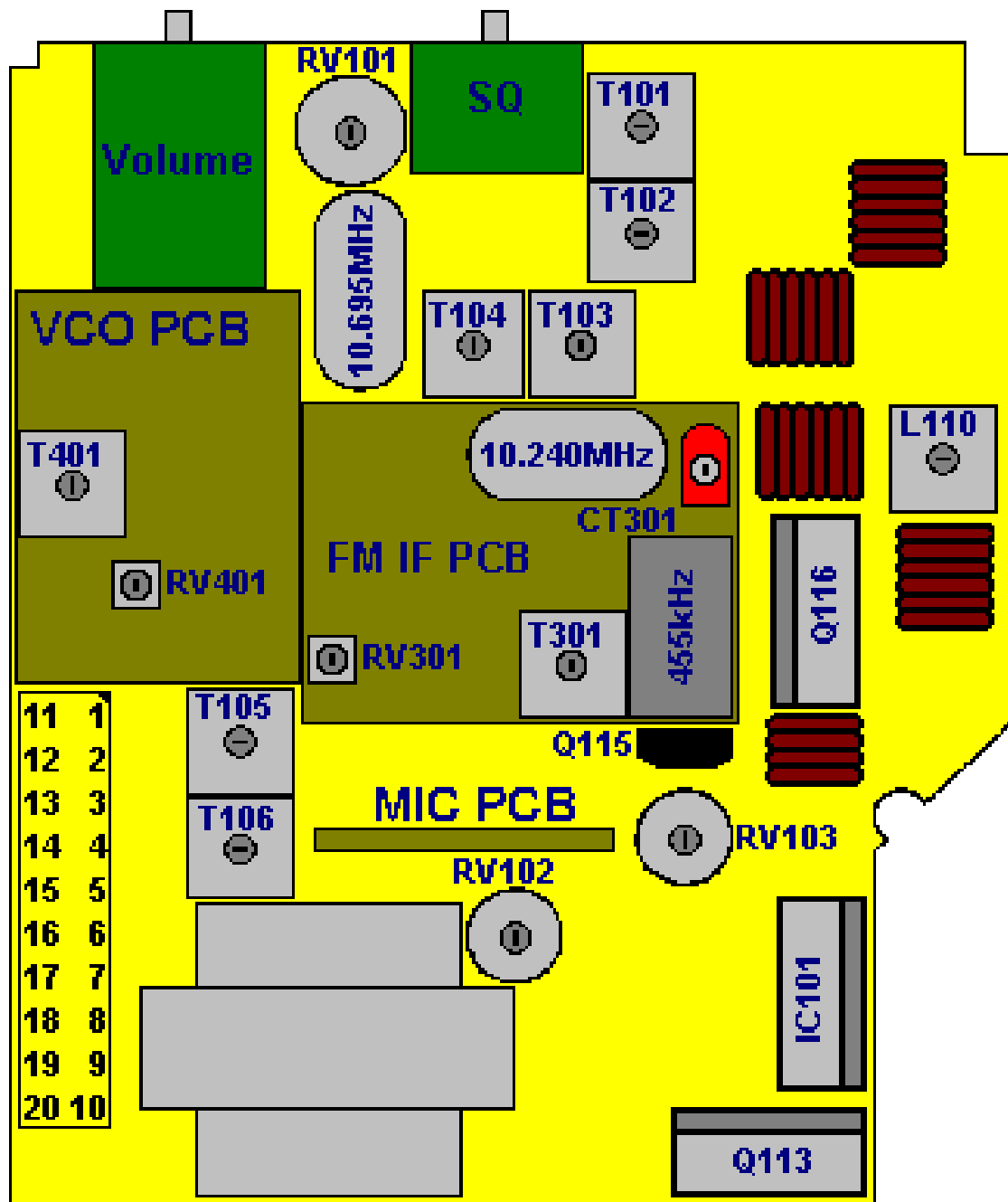
www.cb-radio.nl

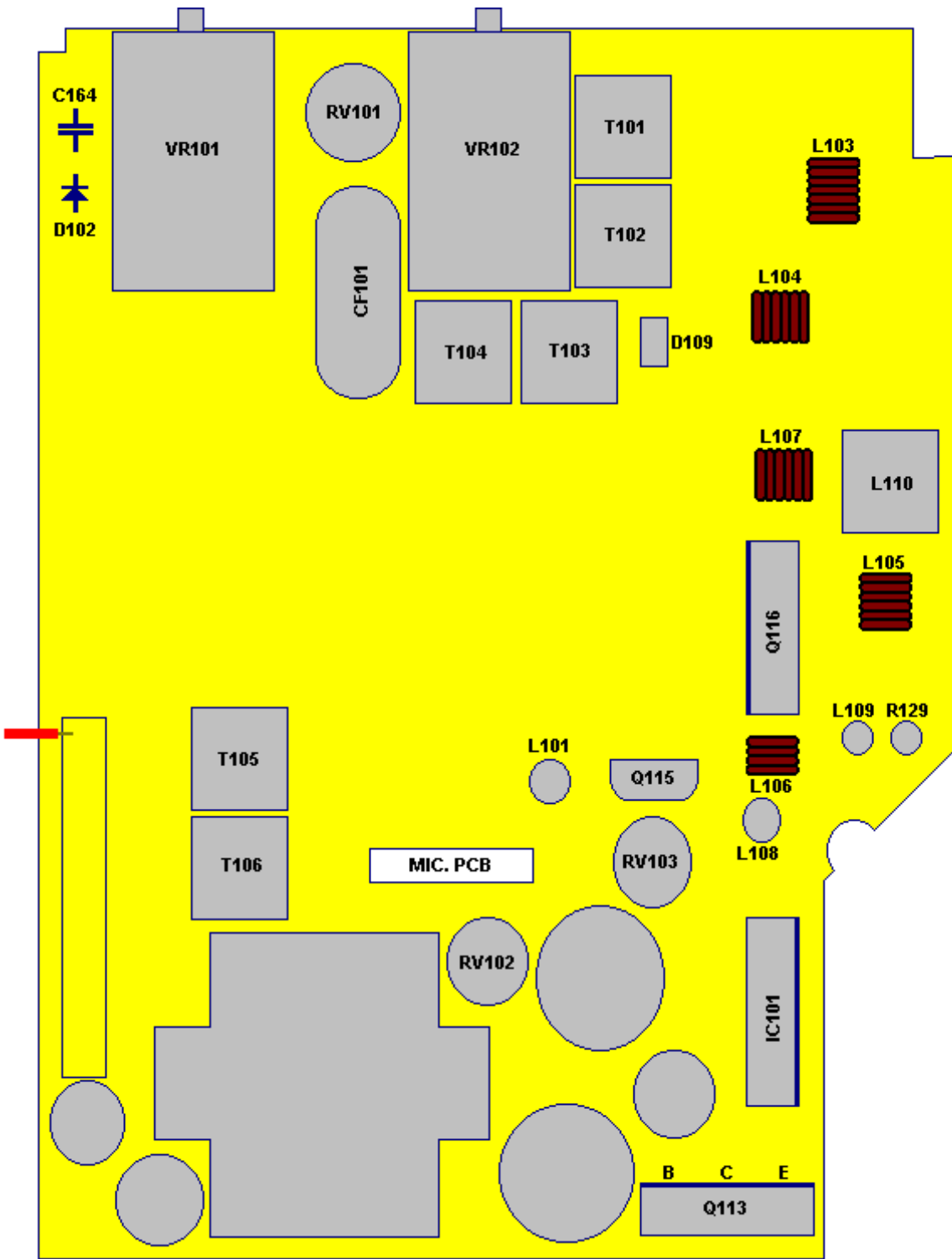


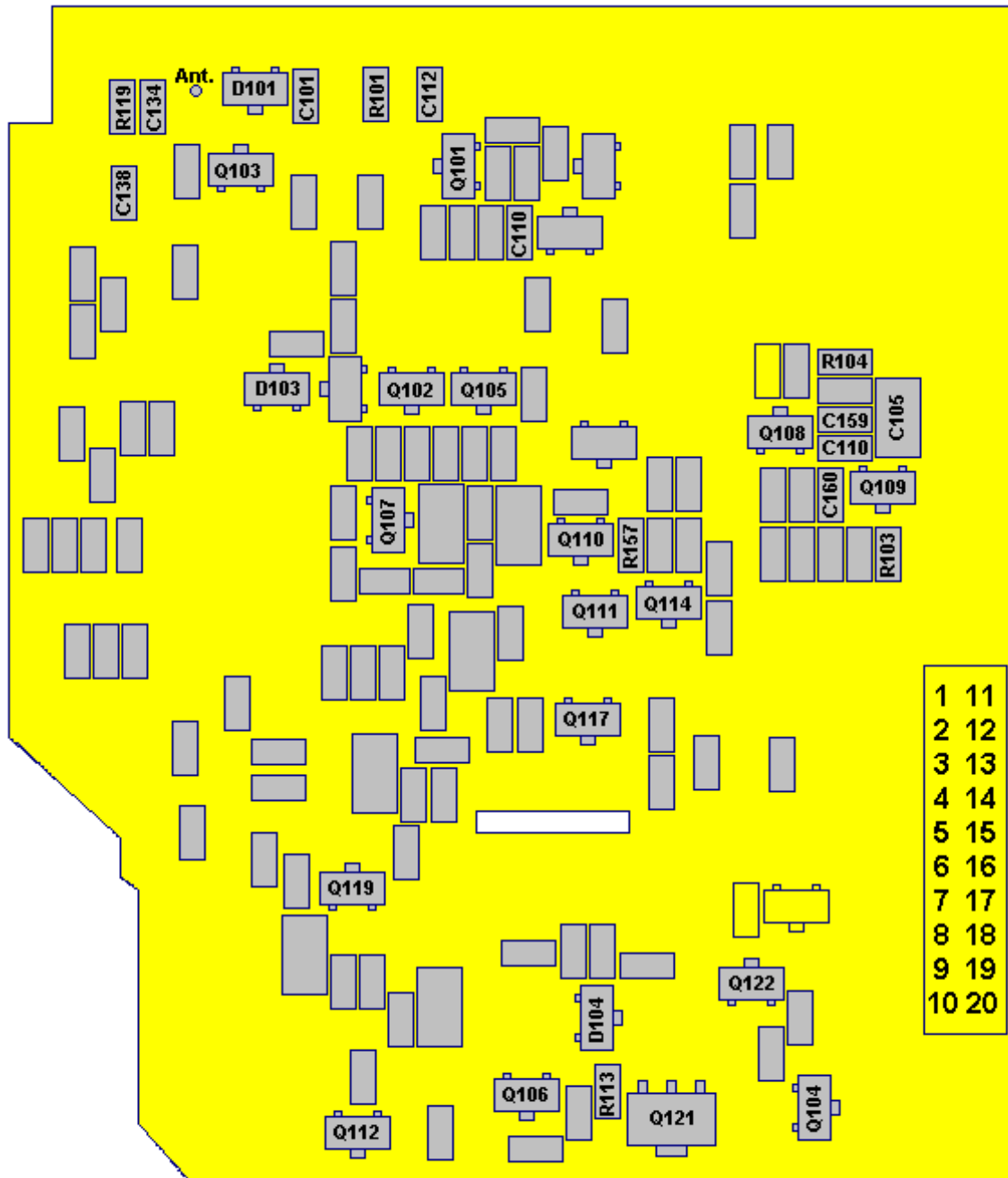


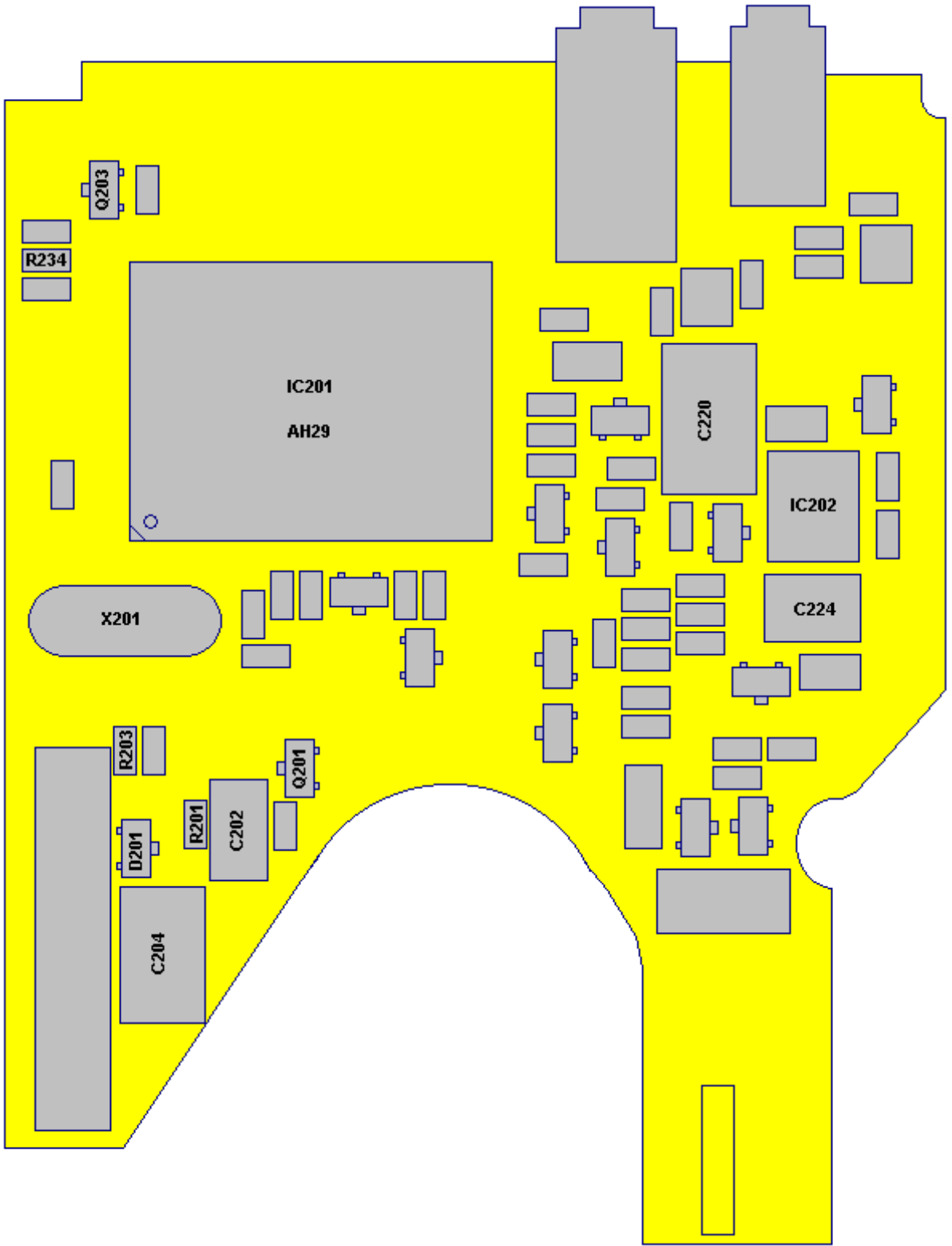


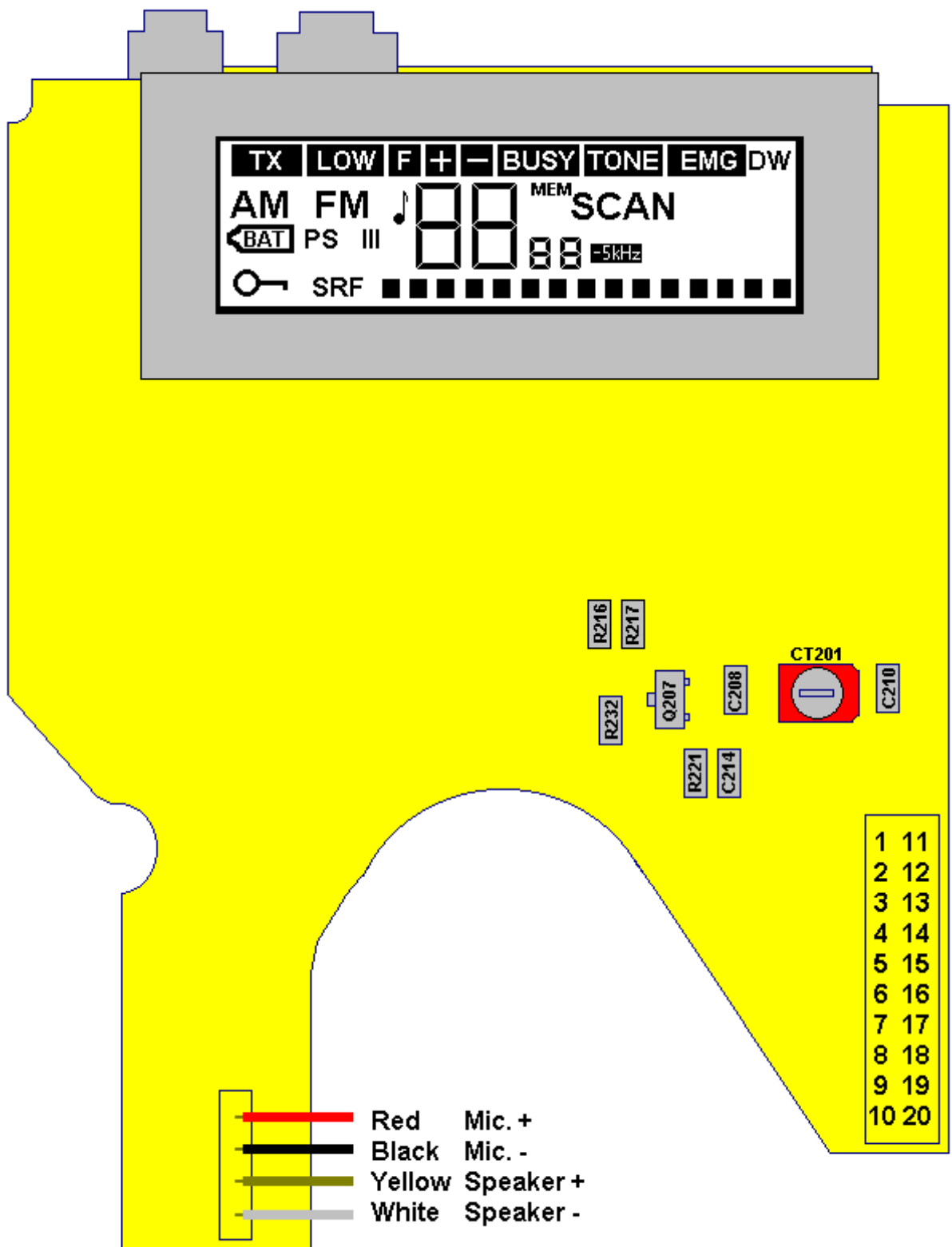


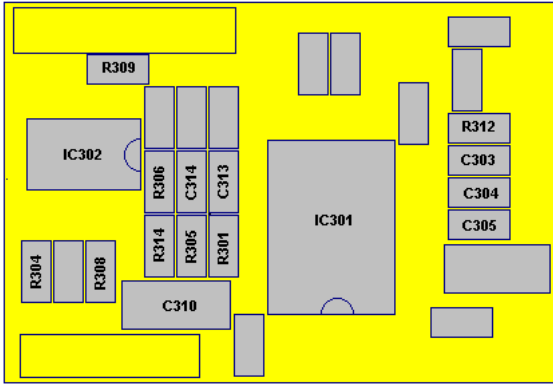
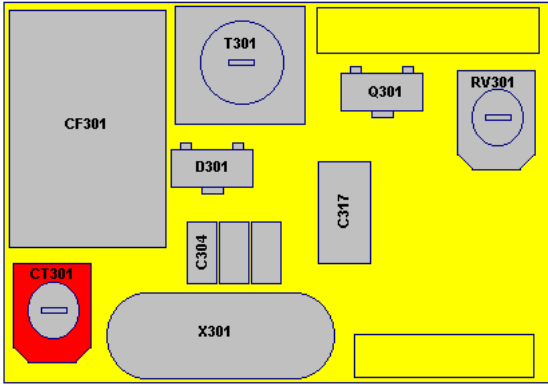




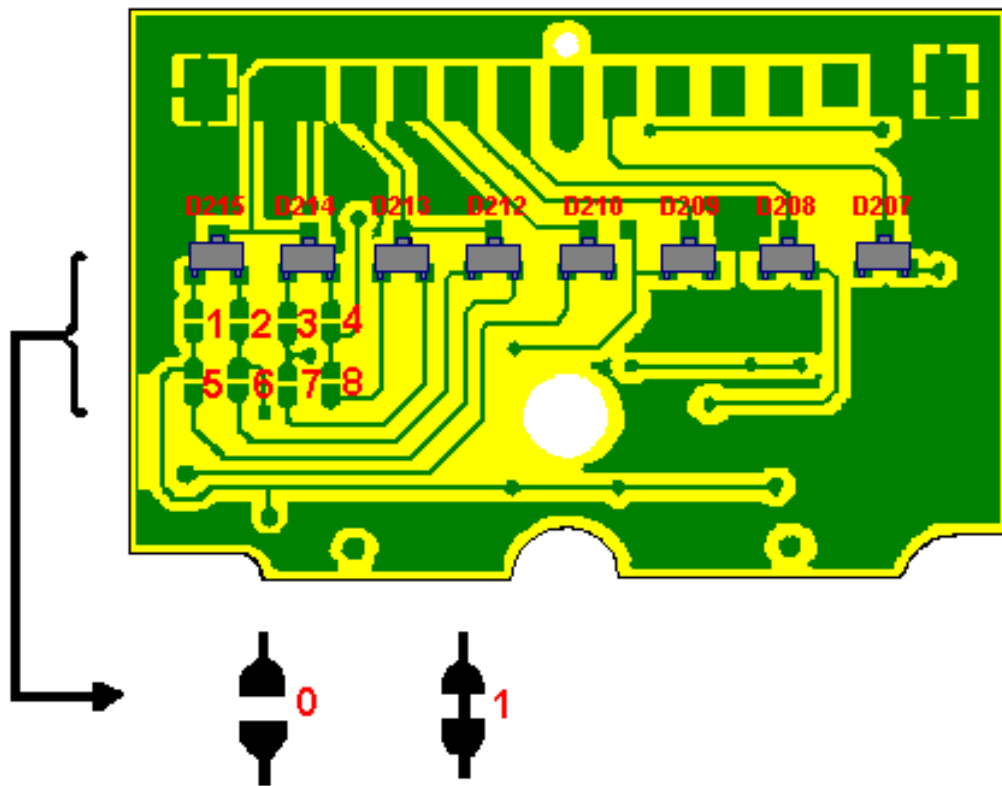


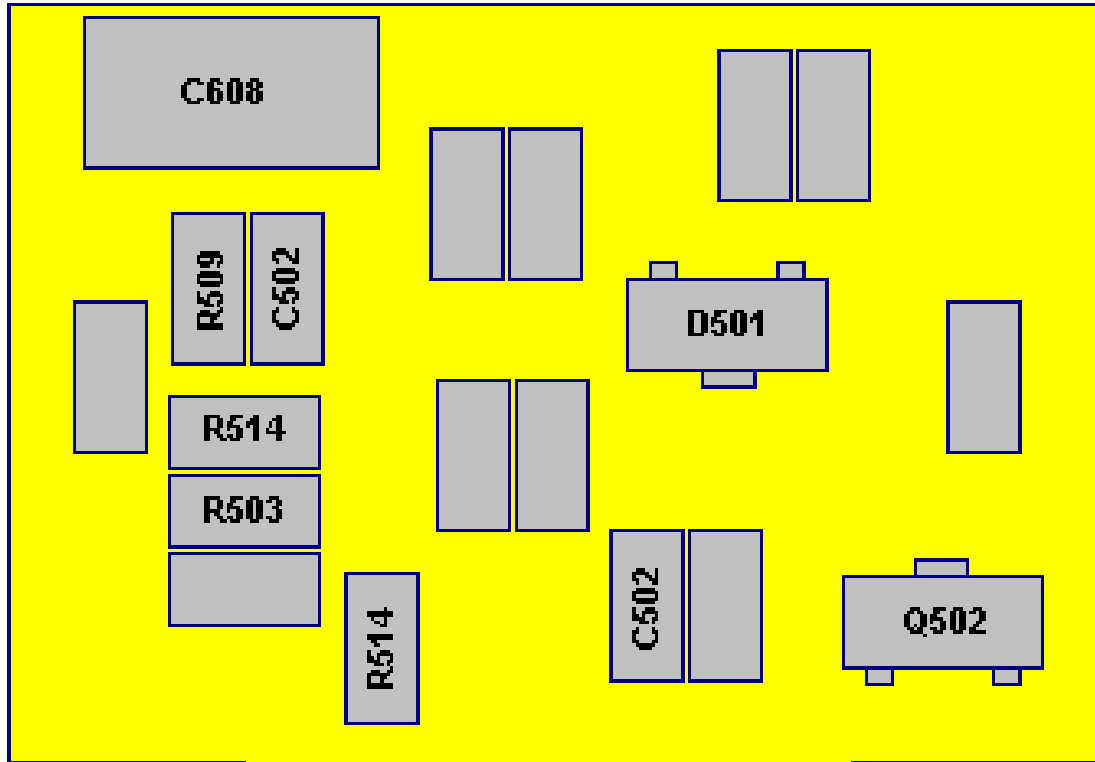




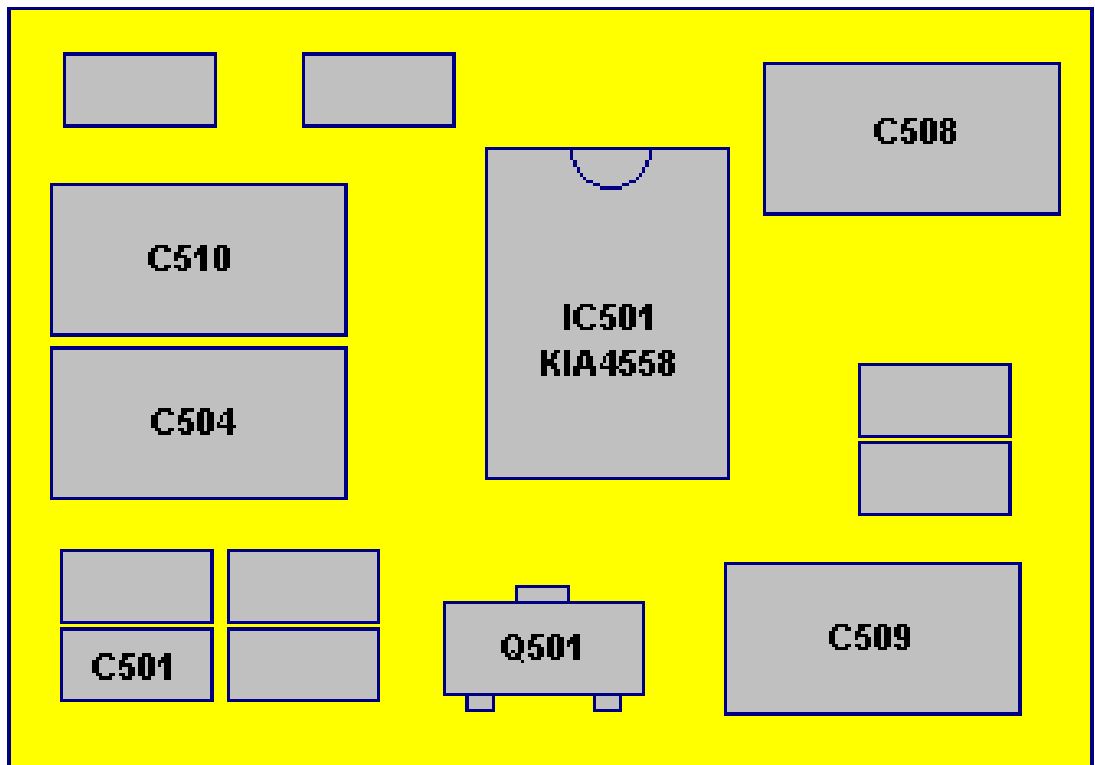


Key-Board





4 3 2 7



5 6 1

