

JOHNSON II USA

12/24 V



Owner's manual / Manuel d'utilisation
Manual del usuario / Manual do usuário

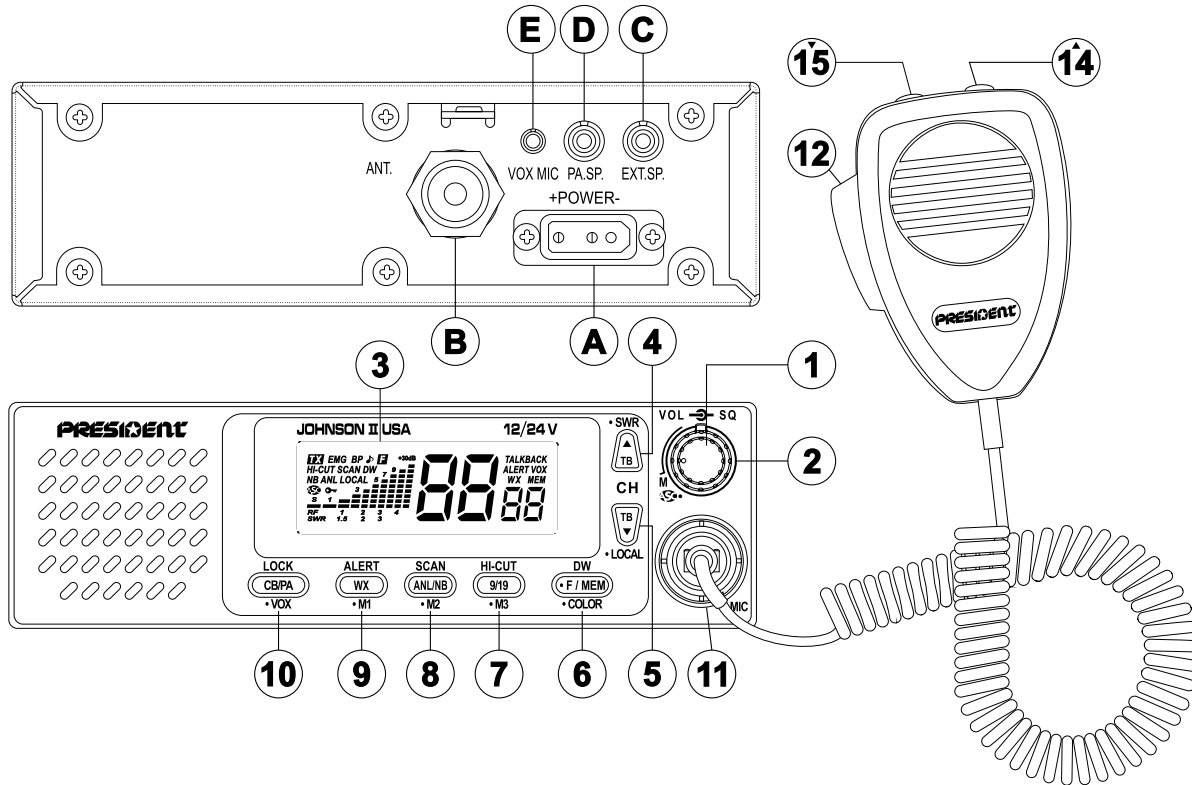


PRESIDENT

Downloaded from www.cb-radio.nl

Your **PRESIDENT JOHNSON II USA 12/24 V** at a glance

Voire **PRESIDENT JOHNSON II USA 12/24 V** en un coup d'œil



Un vistazo a vuestro **PRESIDENT JOHNSON II USA 12/24 V**

Uma olhada no seu **JOHNSON II USA 12/24 V**

SUMMARY

English

INSTALLATION	5
HOW TO USE YOUR CB	7
TECHNICAL CHARACTERISTICS	13
TROUBLE SHOOTING	13
HOW TO TRANSMIT OR RECEIVE A MESSAGE	14
GLOSSARY	14
WARRANTY	16
FREQUENCY TABLES	59

SOMMAIRE

Français

INSTALLATION	18
UTILISATION	21
CARACTÉRISTIQUES TECHNIQUES	26
GUIDE DE DÉPANNAGE	27
COMMENT ÉMETTRE OU RECEVOIR UN MESSAGE	27
GLOSSAIRE	28
GARANTIE	30
TABLEAUX DES FRÉQUENCES	59

SUMARIO

Español

INSTALACIÓN	32
UTILIZACIÓN	35
CARACTERÍSTICAS TÉCNICAS	40
GUÍA DE PROBLEMAS	41
COMO EMITIR O RECIBIR UN MENSAJE	41
LÉXICO	42
GARANTÍA	44
TABLAS DE FRECUENCIAS	59

SUMÁRIO

Português

INSTALAÇÃO	46
UTILIZAÇÃO	48
CARACTERÍSTICAS TÉCNICAS	54
GUIA DE PROBLEMAS	55
COMO TRANSMITIR OU RECEBER UMA MENSAGEM	55
GLOSSÁRIO	55
GARANTIA	58
TABELAS DE FREQUÊNCIAS	59

WARNING !

Before using, be careful never to transmit without first having connected the antenna (connection "B" situated on the back panel of the equipment) or without having set the SWR (Standing Wave Ratio) ! Failure to do so may result in destruction of the power amplifier, which is not covered by the warranty.

The warranty of this transceiver is valid only in the country of purchase.

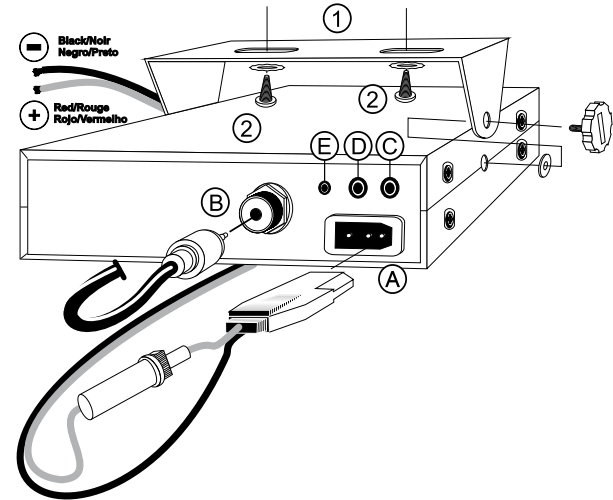
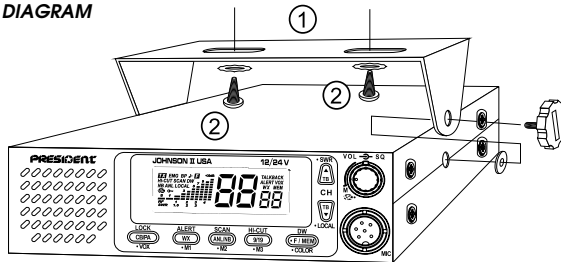
Welcome to the world of the new generation of CB radios. The new **PRESIDENT** range gives you access to top performance CB equipment. With the use of up-to-date technology, which guarantees unprecedented quality, your **PRESIDENT JOHNSON II USA 12/24 V** is a new step in personal communication and is the surest choice for the most demanding of professional CB radio users. To ensure that you make the most of all its capacities, we advise you to read carefully this manual before installing and using your **PRESIDENT JOHNSON II USA 12/24 V**.

A) INSTALLATION

1) WHERE AND HOW TO MOUNT YOUR MOBILE CB RADIO

- You should choose the most appropriate setting from a simple and practical point of view.
- Your CB radio should not interfere with the driver or the passengers.
- Remember to provide for the passing and protection of different wires (e.g. power, antenna, accessory cabling) so that they do not in any way interfere with the driving of the vehicle.

MOUNTING DIAGRAM



- To install your equipment, use the cradle (1) and the self-tapping screws (2) provided (drilling diameter 3.2 mm). Take care not to damage the vehicle's electrical system while drilling the dash board.
 - Do not forget to insert the rubber joints (3) between the CB and its support as these have a shock-absorbing effect which permits gentle orientation and tightening of the set.
 - Choose where to place the microphone support and remember that the microphone cord must stretch to the driver without interfering with the controls of the vehicle.
- **N.B. :** As the transceiver has a frontal microphone socket, it can be set into the dash board. In this case, you will need to add an external loud speaker to improve the sound quality of communications (connector EXT.SP. situated on the back panel: C). Ask your dealer for advice on mounting your CB radio.

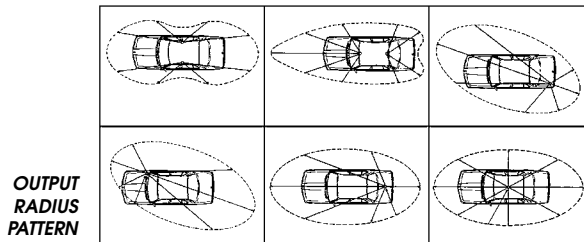
2) ANTENNA INSTALLATION

a) Choosing your antenna

- For CB radios, the longer the antenna, the better its results. Your dealer will be able to help you with your choice of antenna.

b) Mobile antenna

- Must be fixed to the vehicle where there is a maximum of metallic surface (ground plane), away from windscreen mountings.
- If you already have a radio-telephone antenna installed, the CB antenna should be higher than this.
- There are two types of antenna: pre-regulated which should be used on a good ground plane (e.g. car roof or lid of the boot), and adjustable which offer a much larger range and can be used on a smaller ground plane (see § **ADJUSTMENT OF SWR** page 7).
- For an antenna which must be fixed by drilling, you will need a good contact between the antenna and the ground plane. To obtain this, you should lightly scratch the surface where the screw and tightening star are to be placed.
- Be careful not to pinch or flatten the coaxial cable (as this runs the risk of break down and/or short-circuiting).
- Connect the antenna (**B**).



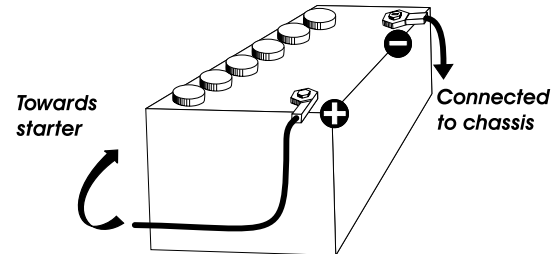
c) Fixed antenna

- A fixed antenna should be installed in a clear a space as possible. If it is fixed to a mast, it will perhaps be necessary to stay it, according to the laws in force (you should seek professional advice). All PRESIDENT antennas and accessories are designed to give maximum efficiency to each CB radio within the range.

3) POWER CONNECTION

Your PRESIDENT JOHNSON II USA 12/24 V is protected against an inversion of polarities. However, before switching it on, you are advised to check all the connections. Your equipment must be supplied with a continued current of 12 or 24 volts (**A**). Today, most cars and lorries are negative earth. You can check this by making sure that the negative terminal of the battery is connected either to the engine block or to the chassis. If this is not the case, you should consult your dealer.

- Check that the battery is of 12 or 24 volts.
- Locate the positive and negative terminals of the battery (+ is red and - is black). Should it be necessary to lengthen the power cable, you should use the same or a superior type of cable.



- c) It is necessary to connect your CB to a permanent (+) and (-). We advise you to connect the power cable directly to the battery (as the connection of the CB cable to the wiring of the car-radio or other parts of the electrical circuit may, in some cases, increase the likelihood of interference).
- d) Connect the red wire (+) to the positive terminal of the battery and the black (-) wire to the negative terminal of the battery.
- e) Connect the power cable to your CB radio.

WARNING: Never replace the original fuse (2 A) by one of a different value.

4) **BASIC OPERATIONS TO BE CARRIED OUT BEFORE USING YOUR SET FOR THE FIRST TIME (without transmitting and without using the “push-to-talk” switch on the microphone)**

- a) Connect the microphone
- b) Check the antenna connections
- c) Turn the set on by turning the volume knob (1) clockwise.
- d) Turn the squelch **SQ** knob (2) to minimum (**M** position).
- e) Adjust the volume to a comfortable level.
- f) Go to channel 20 by using **▲**, **▼**, **UP** or **DN** keys (4, 5, 15, 14).

5) **ADJUSTMENT OF SWR (Standing wave ratio)**

WARNING: This must be carried out when you use your CB radio for the first time (and whenever you re-position your antenna). The adjustment must be carried out in an obstacle-free area.

Adjustment with external SWR-meter (e.g. TOS-1 PRESIDENT)

a) **To connect the SWR meter :**

- Connect the SWR meter between the CB radio and the antenna as close as possible to the CB (use a maximum of 15.75 inches (40 cm) cable, type President CA 2C).

b) **To adjust the SWR meter:**

- Set the CB to channel 20.
- Put the switch on the SWR-meter to position FWD (calibration).
- Press the “push-to-talk” switch on the microphone to transmit.
- Bring the index needle to ▼ by using the calibration key.
- Change the switch to position REF (reading of the SWR level). The reading on the Meter should be as near as possible to 1. If this is not the case, re-adjust your antenna to obtain a reading as close as possible to 1. (A SWR reading between 1 and 1.8 is acceptable).
- It will be necessary to re-calibrate the SWR meter after each adjustment of the antenna.

WARNING: In order to avoid any losses and attenuations in cables used for connection between the radio and its accessories, PRESIDENT recommends to use a cable with a length inferior to 118.11 inches (3 m).

Adjustment with internal SWR-meter

Short press **•F/MEM** key (6) and **▲** (4) or **UP** (14) key to switch on (/off) the **SWR** function (see § **•SWR** page 8). SWR level is displayed. When finished, switch **off** the function.

Your CB is now ready for use.

B) **HOW TO USE YOUR CB**

1) **ON/OFF – VOLUME**



- a) To turn the set on, turn the **VOL** knob (1) clockwise.
- b) To increase the sound level, turn the same knob further clockwise.

2) ASC (Automatic Squelch Control) / SQUELCH

Suppresses undesirable background noises when there is no communication. Squelch does not affect neither sound nor transmission power, but allows a considerable improvement in listening comfort.

a) ASC: AUTOMATIC SQUELCH CONTROL

Worldwide patent, a PRESIDENT exclusivity.

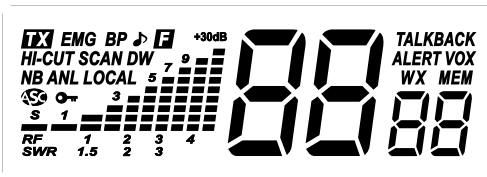
Turn the **SQ** knob (2) anti-clockwise into **ASC** position.  appears on the display. No repetitive manual adjustment and a permanent improvement between the sensitivity and the listening comfort when ASC is active. This function can be disconnected by turning the switch clockwise. In this case the squelch adjustment becomes manual again.  disappears from the display.

b) MANUAL SQUELCH

Turn the **SQ** knob clockwise to the exact point where all background noise disappears. This adjustment should be done with precision as, if set to maximum (fully clockwise), only the strongest signals will be received.

3) DISPLAY

It shows all functions:



The BARGRAPH shows the reception level and the output power level.

4) CHANNEL SELECTOR ▲ ~ TALKBACK LEVEL ▲ ~ •SWR

CHANNEL SELECTOR ▲ on unit (short press)

▲ key (4) allows increasing a channel. A beep sounds each time the channel changes if the **KEY BEEP** function is activated. (See **KEY BEEP** function page 12).

You can also use **UP** key (14) on the microphone.

TALKBACK LEVEL ▲ (PTT + short press)

TALKBACK function lets you monitor yourself when transmitting. Setting the level active automatically the function. See page 13.

Press first **PTT** switch (12) and then ▲ key (4) to increase **TALKBACK** level from actual level to 9 (max.). The level is displayed for 3 seconds if the **PTT** switch (12) is not released.

•**SWR** (•F/MEM + short press)

Short press •**F/MEM** key (6) and ▲ key (4) to switch on/off the SWR function. SWR level is displayed when function is on.

5) CHANNEL SELECTOR ▼ ~ TALKBACK LEVEL ▼ ~ •LOCAL

CHANNEL SELECTOR ▼ on unit (short press)

▼ key (5) allows decreasing a channel. A beep sounds each time the channel changes if the **KEY BEEP** function is activated. See **KEY BEEP** function page 12.

You can also use the **DN** key (15) on the microphone.

TALKBACK LEVEL ▼ (PTT + short press)

TALKBACK function lets you monitor yourself when transmitting. Setting the level active automatically the function. See page 13.

Press first **PTT** switch (12) and then ▼ key (5) to decrease **TALKBACK** level from actual level to 1 (min.). The level is displayed for 3 seconds if the **PTT** switch (12) is not released.

•**LOCAL** (•F/MEM + short press)

Press •**F/MEM** (6) and ▼ key (5) to activate/deactivate. “**LOCAL**” is displayed when the function is **on**.

This feature allows a better listening through close contact. When your partner is close, active this function to avoid distortion.

6) •**F/MEM** ~ **DW** ~ •**COLOR**

•**F/MEM** (short press)

Short press this key to enter in mode **FUNCTION**. **F** blinks when the function is **on**. **F** automatically disappears after 10 seconds without pressing any key.

For memories, see § **MEMORY** page 12.

DW (long press)

Press and hold the **DW** key (6) for 1 second to activate/deactivate the **DUAL WATCH** function. When function in **on**, “**DW**” is displayed. This function lets you watch over channel 9 or 19 and the channel you are using. The first long press activates the **DW** function between channel 9 and the busy channel. A new press activates the function between channel 19 and the busy channel. The number of the selected channel, the memorized channel included, and channel 9 or 19 are alternately displayed. “**EMG**” is also displayed at the same time as channel 9 or 19. The selected channel can be modified during the dual watch. A new long press on **DW** key (6) disables the **DW** function.

•**COLOR** (•F/MEM + long press)

Press one time the •**F/MEM** key (6) and press and hold the

•**COLOR** key (6) for 1 second to alternate between 3 colors: Green -> Blue -> Orange

7) 9/19 ~ **HI-CUT** ~ •**M3**

9/19 (short press)

Channels 9 and 19 are automatically selected by pressing this key. A push activates channel 9, “**EMG**” is displayed. A second push activates channel 19 “**EMG**” is displayed. A new push returns to the previous channel, “**EMG**” disappears.

HI-CUT (long press)

HI-CUT eliminates high frequency interferences. Has to be used in accordance with the reception conditions. “**HI-CUT**” appears on the display when the **HI-CUT** filter is activated.

•**M3**

See § **MEMORY** page 12.

8) **ANL/NB** ~ **SCAN** ~ •**M2**

ANL/NB (short press)

ANL/Automatic Noise Limiter filter reduces back ground noises and some reception interferences.

NB/Noise Blanker filter suppress an ignition noise in the reception.

Short press **ANL/NB** key (8) key to alternate the 4 positions switch: • **ANL** and **NB** off • **ANL** on / **NB** off • **ANL** off / **NB** on • **ANL** and **NB** on.

When a filter is active, its name “**ANL**” or/and “**NB**”, is displayed on the LCD.

SCAN (long press)

CB MODE

Press and hold **SCAN** key (8) for 1 second to activate **SCAN** function (for **CB channels**) in an increasing way. “**SCAN**”

is displayed. The scanning stops as soon as there is a busy channel. The scanning automatically starts 3 seconds after the end of the transmission and no key is activated during 3 s. The scanning starts again in an increasing way by pressing ▲ (4) or UP (14) key, or in a decreasing way by pressing ▼ (5) or DN (15) key.

While scanning, press ●F/MEM key (6) to alternate between **All Channel Scan** and **Memory Channel Scan**.

In **Memory Scan Channel** mode, channel 9, channel 19 and the memorised channels are scanned.

Press PTT switch (12), 9/19 key (7), DW key (6) or long press SCAN key (8) again to exit **SCAN** function.

WX MODE

Press and hold the **SCAN** key (8) for 1 second to activate the **SCAN** function (for **WEATHER channels**) in an increasing way. “**SCAN**” is displayed. The scanning stops as soon as there is a busy channel. The scanning automatically starts 3 seconds after the end of the transmission and no key is activated during 3 s. The scanning starts again in an increasing way by pressing ▲ (4) or UP (14) key, or in a decreasing way by pressing ▼ (5) or DN (15) key.

Note: If the **ALERT** function is activated, the SIREN tone sounds (see § **ALERT** below) when a tone is detected in the **selected** WEATHER channel only. Use first **SCAN** function in **WX** mode to detect tones in **all** the WEATHER channels.

A new long press on **SCAN** disables the **SCAN** function.

●M2

See § **MEMORY** page 12.

9) WX ~ ALERT ~ ●M1

WX (WEATHER MODE) (short press)

*CB functions are not allowed in **WX** mode. If user presses a not allowed key and **KEY BEEP** function is activated, the radio sounds error tone.*

Press **WX** key (9) in order to activate the **WX** mode. “**WX**” appears on the display. A new short press on **WX** key (9) disables the **WX** mode “**WX**” disappears.

The **WX** mode allows to hear weather information. When the mode is activated, use ▲/▼ key (4/5) or UP/DN key (14/15) on the microphone to move through the 7 weather channels to find the active channel in your local area.

The display shows the selected weather channel and if the unit receives a signal, “**WX**” and “**ALERT**” icons blink.

ALERT (long press)

*The SIREN tone only sounds in **CB** and **PA** mode. It does not sound in **WX** mode.*

Press and hold the **ALERT** key (9) for 1 second to activate/deactivate the **ALERT** function. When the function is **on** and a tone is detected at the selected weather channel, then the unit sounds SIREN tone. “**ALERT**” and the “**WX channel**” blink on the display. The unit cancel **CB** or **PA** mode and go to **WX** mode.

During a SIREN tone sound, press any key to stop the sound, “**ALERT**” and the “**WX channel**” stop blinking on the display.

Note: The SIREN tone sounds when **ALERT** is detected in the **selected** WEATHER channel only. Use first **SCAN** function in **WX** mode (see § **WX MODE** above) to detect tones in **all** the WEATHER channels.

●M1

See § **MEMORY** page 12.

10) CB/PA ~ LOCK ~ ●VOX ~ ●VOX SET

CB/PA (short press)

Short press **CB/PA** key (10) to alternate between **CB** and **PA** mode.

PA MODE

An external loud speaker can be connected to the unit by the PA jack plug situated on the back panel PA.SP. (D). The PA volume is regulated by VOL knob (1). "PA" is displayed. **ROGER, SCAN, MEM, VOX** are not allowed in PA mode. If the user set on PA mode while **SCAN** function, instant channel **9/19** mode or **WX** mode, these are canceled.

The CB message received will be directed towards the PA speaker and be amplified.

The message transmitted into the microphone will be directed towards the PA speaker and be amplified. "PAon" is displayed, Meter numbers indicate signal level.

LOCK (long press)

Allows to lock all the keys on the front panel. if the **KEY BEEP** function is **on**, an error beep sounds when a key is used. A long press on **LOCK** key (10) activates/deactivates the **LOCK** function. **🔒** appears on the display when the function is activated.

Transmission (microphone or vox) and reception remain active.

•VOX (•F/MEM + short press)

The **VOX** function allows transmitting by speaking into the original microphone (or in the optional vox microphone) without pressing the **PTT** switch (12). The use of an optional vox microphone connected to the rear panel of the transceiver (E) disables the original microphone.

Press one time **•F/MEM** key (6) and short press **•VOX** key (10) in order to activate the **VOX** function. "VOX" appears on the display. Repeat the key combination to disable the function. "VOX" disappears.

•VOX SET (•F/MEM + long press)

Press one time the **•F/MEM** key (6) and press during 1 second **•VOX** key (10) in order to activate the function **VOX SETTING**. Three adjustments are possible: Sensitivity **L** / Anti-vox level **R** / Vox delay time **t**. Press shortly **•VOX** (10) in order to go to the following adjustment (looping **L**, **R**, **t**).

The display shows the type of adjustment followed by its level.

- **Sensitivity L**: allows the adjustment of the microphone (original one or optional vox) for an optimum transmission quality. Adjustable level from 1 (high level) to 9 (low level) by pressing **▲/▼ (4/5)** or **UP/DN (14/15)** keys. **L** corresponds to the Sensitivity Level.
- **Anti-Vox R**: allows disabling the transmission generated by the surrounding noise. The level is adjustable from 0 (Off) to 9 (low level) by pressing **▲/▼ (4/5)** or **UP/DN (14/15)** keys. **R** corresponds to Anti-vox Level.
- **Delay time t**: allows avoiding the sudden cut of the transmission by adding a delay at the end of speaking. The level is adjustable from 1 (short delay) to 9 (long delay) by pressing **▲/▼ (4/5)** or **UP/DN (14/15)** keys. **t** corresponds to Delay Time.

Once the adjustments are done, short press **•F/MEM** key (6) key in order to quit the **Vox Adjustment** mode.

When **VOX SETTING** is done the **VOX** function is automatically **ON**. "VOX" appears on the display.

11) 6 PIN MICROPHONE PLUG

The plug is located on the front panel of the transceiver and makes the setting of the equipment into the dashboard easier.

See cabling diagram page 60.

12) PTT

Transmission key, press to transmit a message, **TX** is displayed and release to listen to an incoming communication.

14) CHANNEL SELECTOR UP on microphone

UP key (14) allows increasing a channel. A beep sounds each time the channel changes if the **KEY BEEP** function is activated (see **KEY BEEP** function below).

You can also use **▲** key (4) on the unit.

15) CHANNEL SELECTOR DN on microphone

DN key (15) allows decreasing a channel. A beep sounds each time the channel changes if the **KEY BEEP** function is activated (see **KEY BEEP** function below).

You can also use **▼** key (5) on the unit.

ROGER BEEP

Start the unit while pressing **▲** (4) or **UP** (14) key to activate the **ROGER BEEP** function. A beep sounds if **KEY BEEP** function is **on**.

The icon “**♪**” appears on the display when the function is active. The **Roger Beep** sounds when the **PTT** switch (12) of the microphone is released in order to let your correspondent speak. Historically as CB is a “simplex” communication mode, it is not possible to speak and to listen at the same time (as it is the case with a telephone). Once someone had finished talking, he said “Roger” in order to prevent his correspondent that it was his turn to talk. The word “Roger” has been replaced by a significant beep. There comes “**Roger beep**” from.

Note: the Roger beep also sounds in the loudspeaker if the **KEY BEEP** function is active. If the **KEY BEEP** function is not active, only the correspondent can hear the Roger Beep.

In **PA** mode the function is not allowed.

KEY BEEP

Beep on changing the channel, keys etc...

Start the unit while pressing **▼** (5) or **DN** (15) key to activate the **KEY BEEP** function. A beep sounds. “**BP**” is displayed. Start again the unit while pressing **▼** (5) or **DN** (15) key to deactivate the **KEY BEEP** function. “**BP**” disappears.

MEMORY

This CB radio allows to memorize 3 channels with following parameters: ANL (on/off), NB (on/off), HI-CUT (on/off).

To recall a memory: (short press)

- Short press **•F/MEM** key (6). If the **KEY BEEP** function is activated a beep sounds.
 - Short press **•M1** (9), **•M2** (8) or **•M3** (7) key to recall the selected memory.
- “**MEM**” and the number of the memory (**1**, **2** or **3**) appears on the display

To memorize: (long press)

- Select the channel and parameters to be memorized.
- Short press **•F/MEM** key (6). If the **KEY BEEP** function is activated a beep sounds.
- Press **•M1** (9), **•M2** (8) or **•M3** (7) key during 1 second to store the selected channel into memory. “**MEM**” appears.
- If the **KEY BEEP** function is activated a long beep confirms the saving.

To delete a memory:

- Switch off the transceiver.
- Keep the memory key **•M1** (9), **•M2** (8) or **•M3** (7) pressed and switch on the transceiver.
- The selected memory is deleted. “**MEM**” disappears.

TALKBACK FUNCTION (PTT + •F/MEM)

Press first **PTT** switch (12) and then **•F/MEM** key (6) to activate/deactivate **TALKBACK** function. When the function is on, “**TALKBACK**” is displayed.

TOT (Time Out Timer)

If the transmission (using the **PTT** (12) key or **VOX**) is more than 5 minutes, CHANNEL and **TX** starts blinking, the transmission ends.

The time-out tone will sound until the **PTT** key is released.

A) DC-POWER TERMINAL (13,8 V / 27,6 V)**B) ANTENNA CONNECTOR (SO-239)****C) EXTERNAL SPEAKER JACK (8 Ω, Ø 3,5 mm)****D) PA SPEAKER JACK (8 Ω, Ø 3,5 mm)****E) JACK FOR OPTIONAL VOX MIKE (Ø 2.5 mm)****C) TECHNICAL CHARACTERISTICS****1) GENERAL**

- Channels	: 40
- Modulation modes	: AM
- Frequency ranges	: from 26.965 MHz to 27.405 MHz
- Weather channels	: from 162.400 MHz to 162.550 MHz
- Antenna impedance	: 50 ohms
- Power supply	: 13.8 V / 27.6 V
- Dimensions (W x D x H)	: 6.69 x 5.91 x 2.05 inches 170 x 150 x 52 mm
- Weight	: 2.20 lbs / 1 kg
- Accessories supplied	: Ultra light electret microphone with support, mounting cradle, screws

2) TRANSMISSION

- Frequency allowance	: +/- 200 Hz
- Carrier power	: 4 W (constant)
- Transmission interference	: inferior to -60 dBc
- Audio response	: 300 Hz to 3 KHz
- Emitted power in the adj. channel	: inferior to 20 µW
- Microphone sensitivity	: 3 mV
- Drain	: 2 A (with modulation)
- Modulated signal distortion	: 1.8 %

3) RECEPTION

- Maxi. sensitivity at 10 dB (S+N)/N	: 0.6 µV - 111 dBm
- Frequency response	: 300 Hz to 3 kHz
- Adjacent channel selectivity	: > 60 dB
- Maximum audio power	: 2 W
- Squelch sensitivity	: minimum 0.2 µV - 120 dBm maximum 1 mV - 47 dBm
- Frequency image rejection rate	: 60 dB
- Intermediate frequency rejection rate	: 70 dB
- Drain	: 300mA nominal / 1000mA maximum

D) TROUBLE SHOOTING**1) YOUR CB RADIO WILL NOT TRANSMIT OR YOUR TRANSMISSION IS OF POOR QUALITY**

- Check that the antenna is correctly connected and that the SWR is properly adjusted.
- Check that the microphone is properly plugged in.

2) YOUR CB RADIO WILL NOT RECEIVE OR RECEPTION IS POOR

- Check that **LOCAL** function is **off**.
- Check that the squelch level is properly adjusted.
- Check that the volume is set to a comfortable listening level.
- Check that the antenna is correctly connected and that the SWR is properly adjusted.

3) YOUR CB WILL NOT LIGHT UP

- Check the power supply.
- Check the connection wiring.
- Check the fuse.

E) HOW TO TRANSMIT OR RECEIVE A MESSAGE

Now that you have read the manual, make sure that your CB Radio is ready for use (i.e. check that your antenna is connected).

Press the "push-to-talk" switch and announce your message "Attention stations, transmission testing" which will allow you to check the clearness and the power of your signal. Release the switch and wait for a reply. You should receive a reply like, "Strong and clear".

If you use a calling channel (19) and you have established communication with someone, it is common practice to choose another available channel so as not to block the calling channel.

F) GLOSSARY

Below you will find some of the most frequently used CB radio expressions. Remember this is meant for fun and that you are by no means obliged to use them. In an emergency, you should be as clear as possible.

INTERNATIONAL PHONETIC ALPHABET

A Alpha	H Hotel	O Oscar	V Victor
B Bravo	I India	P Papa	W Whiskey
C Charlie	J Juliett	Q Quebec	X X-ray
D Delta	K Kilo	R Romeo	Y Yankee
E Echo	L Lima	S Sierra	Z Zulu
F Foxtrott	M Mike	T Tango	
G Golf	N November	U Uniform	

TECHNICAL VOCABULARY

AM	: Amplitude Modulation
CB	: Citizen's Band
CH	: Channel
CW	: Continuous Wave
DX	: Long Distance Liaison
DW	: Dual Watch
FM	: Frequency Modulation
GMT	: Greenwich Meantime
HF	: High Frequency
LF	: Low Frequency
LSB	: Lower Side Band
RX	: Receiver
SSB	: Single Side Band
SWR	: Standing Wave Ratio
SWL	: Short Wave Listening
SW	: Short Wave
TX	: CB Transceiver

UHF : Ultra High Frequency
 USB : Upper Side Band
 VHF : Very High Frequency

CB LANGUAGE

Advertising : Flashing lights of police car
 Back off : Slow down
 Basement : Channel 1
 Base station : A CB set in fixed location
 Bear : Policeman
 Bear bite : Speeding fine
 Bear cage : Police station
 Big slab : Motorway
 Big 10-4 : Absolutely
 Bleeding : Signal from an adjacent channel interfering with the transmission
 Blocking the channel : Pressing the PTT switch without talking
 Blue boys : Police
 Break : Used to ask permission to join a conversation
 Breaker : A CBer wishing to join a channel
 Clean and green : Clear of police
 Cleaner channel : Channel with less interference
 Coming in loud and proud : Good reception
 Doughnut : Tyre
 Down and gone : Turning CB off
 Down one : Go to a lower channel
 Do you copy? : Understand?
 DX : Long distance
 Eighty eights : Love and kisses
 Eye ball : CBers meeting together
 Good buddy : Fellow CBer

Hammer : Accelerator
 Handle : CBer's nickname
 Harvey wall banger : Dangerous driver
 How am I hitting you? : How are you receiving me?
 Keying the mike : Pressing the PTT switch without talking
 Kojac with a kodak : Police radar
 Land line : Telephone
 Lunch box : CB set
 Man with a gun : Police radar
 Mayday : SOS
 Meat wagon : Ambulance
 Midnight shopper : Thief
 Modulation : Conversation
 Negative copy : No reply
 Over your shoulder : Right behind you
 Part your hair : Behave yourself - police ahead
 Pull your hammer back : Slow down
 Rat race : Congested traffic
 Rubberbander : New CBer
 Sail boat fuel : Wind
 Smokey dozing : Parked police car
 Smokey with a camera : Police radar
 Spaghetti bowl : Interchange
 Stinger : Antenna
 Turkey : Dumb CBer
 Up one : Go up one channel
 Wall to wall : All over/everywhere
 What am I putting to you? : Please give me an S-meter reading

GENERAL WARRANTY CONDITIONS

This device is guaranteed **2 years** parts and labour in its country of purchase against any manufacturing defects validated by our technical department. PRESIDENT After Sales Service department reserves the right not to apply the warranty in the event a breakdown is caused by an antenna other than those distributed by PRESIDENT. An extension of **3 years** warranty is proposed systematically for the simultaneous purchase of a device and a PRESIDENT antenna, bringing the total duration of the warranty to **5 years**. In order to be valid, the warranty registration must be completed and submitted within a period of 30 days after the purchase date to PRESIDENT ELECTRONICS online at **www.president-electronics.us/warranty-registration**. You can also access this warranty registration page by using your smartphone to read (application must be available) the QR code on the enclosed warranty card. You will receive a confirmation email if the registration is successfully completed. Please keep a copy of this email for your records.

Any repair under warranty will be without charge and the return delivery costs will be borne by PRESIDENT. A proof of purchase sales receipt must be included with the device to be repaired. The dates listed on the warranty registration and proof of purchase must match. In case the device is not under warranty, the repair and return of the device will be charged.

No spare parts will be sent nor exchanged by PRESIDENT under warranty. Do not proceed with the installation of the device without reading the user manual. The warranty is only valid in the country of purchase.

Exclusions (not covered by Warranty):

- Damages caused by accident, shock or inadequate packaging.
- Power transistors, microphones, lights, fuses and the disrespect of the installation and use of specifications (including but not limited to antenna used with too high power, final output power transistors (SWR), inversion of polarities, bad connections, over voltage...).
- The warranty cannot be extended due to the non-availability of the device while it is being serviced at PRESIDENT After Sales Service department, nor by a change of one or more components or spare parts.

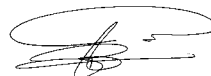
- Transceivers which have been modified. The warranty application is excluded in case of modification or poor maintenance done by a third party not approved by PRESIDENT ELECTRONICS.

If you note a malfunction:

- Check the power supply of your device and the quality of the fuse.
- Check that the antenna, the microphone are correctly connected.
- Check that the squelch level is properly adjusted; the programmed configuration is the correct one.
- In the event of a real malfunction, please contact your dealer first. He will decide what action should be taken.

In case of an intervention not covered by warranty, an estimate will be established before any repair.

Thank you for your confidence in the PRESIDENT quality and experience. We recommend that you read this manual carefully so that you are completely satisfied with your purchase.



Technical Manager
and
Quality Manager



ATTENTION !

*Avant toute utilisation, prenez garde de ne jamais émettre sans avoir branché l'antenne (connecteur **B** situé sur la face arrière de l'appareil), ni réglé le TOS (Taux d'Ondes Stationnaires) ! Sinon, vous risquez de détruire l'amplificateur de puissance, ce qui n'est pas couvert par la garantie.*

La garantie de ce poste est valable uniquement dans le pays d'achat.

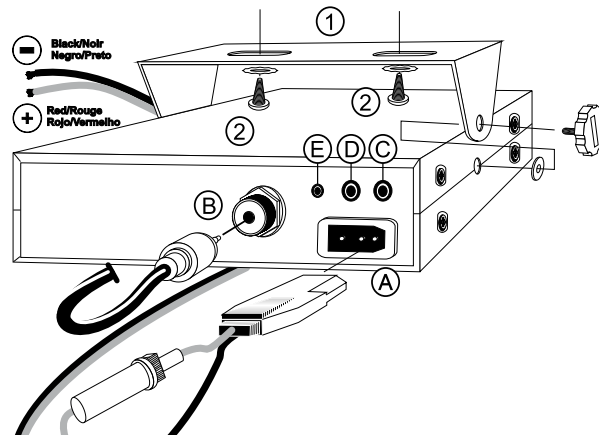
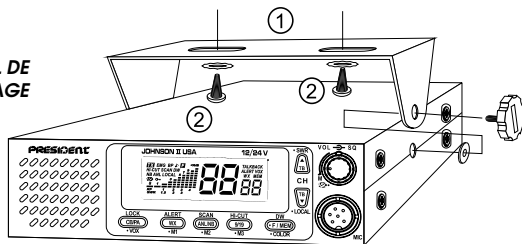
Bienvenue dans le monde des émetteurs-récepteurs CB de la dernière génération. Cette nouvelle gamme de postes vous fait accéder à la communication électronique la plus performante. Grâce à l'utilisation de technologies de pointe garantissant des qualités sans précédent, votre PRESIDENT JOHNSON II USA 12/24 V est un nouveau jalon dans la convivialité et la solution par excellence pour le pro de la CB le plus exigeant. Pour tirer le meilleur parti de toutes ses possibilités, nous vous conseillons de lire attentivement ce mode d'emploi avant d'installer et d'utiliser votre CB PRESIDENT JOHNSON II USA 12/24 V.

A) INSTALLATION

1) CHOIX DE L'EMPLACEMENT ET MONTAGE DU POSTE MOBILE

- Choisissez l'emplacement le plus approprié à une utilisation simple et pratique de votre poste mobile.
- Veillez à ce qu'il ne gêne pas le conducteur ni les passagers du véhicule.
- Prévoyez le passage et la protection des différents câbles, (alimentation, antenne, accessoires...) afin qu'ils ne viennent en aucun cas perturber la conduite du véhicule.

SCHÉMA GÉNÉRAL DE MONTAGE



- Utilisez pour le montage le berceau (1) livré avec l'appareil, fixez-le solidement à l'aide des vis auto taraudeuse (2) fournies (diamètre de perçage 3,2 mm). Prenez garde de ne pas endommager le système électrique du véhicule lors du perçage du tableau de bord.
 - Lors du montage, n'oubliez pas d'insérer les rondelles de caoutchouc (3) entre le poste et son support. Celles-ci jouent en effet un rôle «d'amortisseur» et permettent une orientation et un serrage en douceur du poste.
 - Choisissez un emplacement pour le support du micro et prévoyez le passage de son cordon.
- NOTA :** Votre poste mobile possédant une prise micro en façade peut être encastré dans le tableau de bord. Dans ce cas, il est recommandé d'y adjoindre un haut-parleur externe pour une meilleure écoute des communications (connecteur EXT.SP. situé sur la face arrière de l'appareil : C). Renseignez-vous auprès de votre revendeur le plus proche pour le montage sur votre appareil.

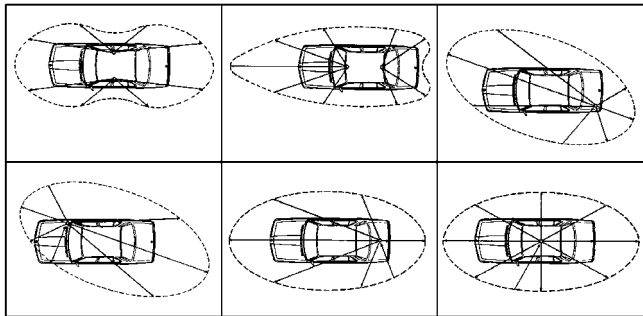
2) INSTALLATION DE L'ANTENNE

a) Choix de l'antenne

- En CB, plus une antenne est grande, meilleur est son rendement. Votre Point Conseil saura orienter votre choix.

b) Antenne mobile

- Il faut l'installer à un endroit du véhicule où il y a un maximum de surface métallique (plan de masse), en s'éloignant des montants du pare-brise et de la lunette arrière.
- Dans le cas où une antenne radiotéléphone est déjà installée, l'antenne CB doit être au-dessus de celle-ci.
- Il existe 2 types d'antennes : les pré-réglées et les réglables.
- Les pré-réglées s'utilisent de préférence avec un bon plan de masse (pavillon de toit ou malle arrière).
- Les réglables offrent une plage d'utilisation beaucoup plus large et permettent de tirer parti de plans de masse moins importants (voir § **RÉGLAGE DU TOS** page 20).
- Pour une antenne à fixation par perçage, il est nécessaire d'avoir un excellent contact antenne/plan de masse ; pour cela, grattez légèrement la tôle au niveau de la vis et de l'étoile de serrage.



LOBE DE RAYONNEMENT

- Lors du passage du câble coaxial, prenez garde de ne pas le pincer ou l'écraser (risque de rupture ou de court-circuit).
- Branchez l'antenne (B).

c) Antenne fixe

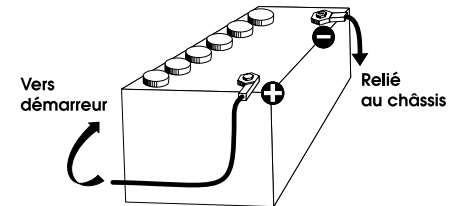
- Veillez à ce qu'elle soit dégagée au maximum. En cas de fixation sur un mât, il faudra éventuellement haubaner conformément aux normes en vigueur (se renseigner auprès d'un professionnel). Les antennes et accessoires PRESIDENT sont spécialement conçus pour un rendement optimal de chaque appareil de la gamme.

3) CONNEXION DE L'ALIMENTATION

Votre PRESIDENT JOHNSON II USA 12/24 V est muni d'une protection contre les inversions de polarité. Néanmoins, avant tout branchement, vérifiez vos connexions.

Votre poste doit être alimenté par une source de courant continu de 12 ou 24 Volts (A). À l'heure actuelle, la plupart des voitures et des camions fonctionnent avec une mise à la masse négative. On peut s'en assurer en vérifiant que la borne (-) de la batterie soit bien connectée au bloc moteur ou au châssis. Dans le cas contraire, consultez votre revendeur.

- a) Assurez-vous que l'alimentation soit bien de 12 ou 24 Volts.
- b) Repérez les bornes (+) et (-) de la batterie (+ = rouge, - = noir). Dans le cas où il serait nécessaire de rallonger le cordon d'alimentation, utilisez un câble de section équivalente ou supérieure.



- c) Il est nécessaire de se connecter sur un (+) et un (-) permanents. Nous vous conseillons donc de brancher directement le cordon d'alimentation sur la batterie (le branchement sur le cordon de l'autoradio ou sur d'autres parties du circuit électrique pouvant dans certains cas favoriser la réception de signaux parasites).
- d) Branchez le fil rouge (+) à la borne positive de la batterie et le fil noir (-) à la borne négative de la batterie.
- e) Branchez le cordon d'alimentation au poste.

ATTENTION : Ne jamais remplacer le fusible d'origine (2 A) par un modèle d'une valeur différente !

4) **OPÉRATIONS DE BASE À EFFECTUER AVANT LA PREMIÈRE UTILISATION, SANS PASSER EN ÉMISSION (sans appuyer sur la pédale du micro)**

- a) Branchez le micro,
- b) Vérifiez le branchement de l'antenne,
- c) Mise en marche de l'appareil : tournez le bouton de volume **VOL (1)** dans le sens des aiguilles d'une montre jusqu'à entendre un "clic".
- d) Tournez le bouton du squelch **SQ (2)** au minimum (position **M**).
- e) Réglez le bouton **VOLUME** à un niveau convenable.
- f) Amenez le poste sur le canal 20 à l'aide des touches ▲/▼ (4/5) ou **UP/DN (14/15)** du microphone.

5) **RÉGLAGE DU TOS (Taux d'ondes stationnaires)**

ATTENTION : Opération à effectuer impérativement lors de la première utilisation de l'appareil ou lors d'un changement d'antenne. Ce réglage doit être fait dans un endroit dégagé, à l'air libre.

Réglage avec TOS-mètre externe (type TOS-1 PRESIDENT)

a) **Branchement du Tos-mètre :**

- Brancher le Tos-mètre entre le poste et l'antenne, le plus près possible du poste (utilisez pour cela un câble de 15,75 pouces (40 cm) maximum type CA-2C PRESIDENT).

b) **Réglage du Tos :**

- Amener le poste sur le canal 20,
- Positionner le commutateur du Tos-mètre en position FWD (calibrage),
- Appuyer sur la pédale du micro pour passer en émission,
- Amener l'aiguille sur l'index ▼ à l'aide du bouton de calibrage,
- Basculer le commutateur en position REF (lecture de la valeur du TOS). La valeur lue sur le vu-mètre doit être très proche de 1. Dans le cas contraire, rajuster votre antenne jusqu'à obtention d'une valeur aussi proche que possible de 1 (une valeur de TOS comprise entre 1 et 1,8 est acceptable),
- Il est nécessaire de recalibrer le Tos-mètre, entre chaque opération de réglage de l'antenne.

Remarque : Afin d'éviter les pertes et atténuations dans les câbles de connexion entre la radio et ses accessoires, PRESIDENT recommande une longueur de câble inférieure à 118,11 pouces (3 m).

Réglage avec le TOS-mètre intégré

Appuyer brièvement sur la touche **•F/MEM (6)** puis sur la touche **▲ (4)** ou **UP (14)** pour activer (/désactiver) la fonction **SWR** (voir § **•SWR** page 21). La valeur du TOS est indiqué dans l'afficheur. Quand le réglage est terminé, désactiver la fonction **SWR**.

Maintenant, votre poste est prêt à fonctionner.

B) UTILISATION

1) MARCHÉ/ARRÊT - VOLUME

- a) Pour allumer votre poste, tourner le bouton **VOL (1)** dans le sens des aiguilles d'une montre.
- b) Pour augmenter le volume sonore, continuer à tourner ce bouton dans le sens des aiguilles d'une montre.

2) ASC (Automatic Squelch Control) / SQUELCH

Cette fonction permet de supprimer les bruits de fond indésirables en l'absence de communication. Le squelch ne joue ni sur le volume sonore ni sur la puissance d'émission, mais il permet d'améliorer considérablement le confort d'écoute.

a) ASC : SQUELCH À RÉGLAGE AUTOMATIQUE

Brevet mondial, exclusivité **PRESIDENT**

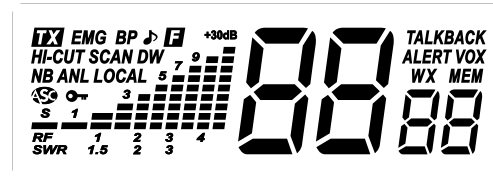
Tourner le bouton du squelch **SQ (2)** dans le sens contraire des aiguilles d'une montre en position **ASC**. «**ASC**» apparaît sur l'afficheur. Aucun réglage manuel répétitif et optimisation permanente entre la sensibilité et le confort d'écoute lorsque l'ASC est actif. Cette fonction peut être désactivée par rotation du bouton dans le sens des aiguilles d'une montre. Dans ce cas le réglage du squelch redevient manuel. «**ASC**» disparaît de l'afficheur.

b) SQUELCH MANUEL

Tourner le bouton du squelch **SQ (2)** dans le sens des aiguilles d'une montre jusqu'au point exact où tout bruit de fond disparaît. C'est un réglage à effectuer avec précision, car mis en position maximum dans le sens des aiguilles d'une montre, seuls les signaux les plus forts peuvent être perçus.

3) AFFICHEUR

Il permet de visualiser l'ensemble des fonctions :



Le BARGRAPH visualise le niveau de réception et le niveau de puissance émise.

4) SÉLECTEUR DE CANAL ▲ ~ NIVEAU DU TALKBACK ▲ ~ ●SWR

SÉLECTEUR DE CANAL ▲ sur le poste (pression brève)

La touche ▲ (4) permet de monter d'un canal. Un beep sonore est émis à chaque changement de canal si la fonction **KEY BEEP** est active (voir fonction **KEY BEEP** page 26).

La touche **UP (14)** du microphone a la même fonction.

NIVEAU DU TALKBACK ▲ (PTT + pression brève)

La fonction **TALKBACK** permet d'entendre dans le haut-parleur du poste sa propre modulation. Le réglage du niveau active automatiquement cette fonction. Voir page 26.

Appuyer d'abord sur la pédale **PTT (12)** puis sur la touche ▲ (4) pour augmenter du niveau actuel jusqu'à 9 (max.). Le niveau s'affiche durant 3 secondes si la touche **PTT (12)** n'est pas relâchée.

●SWR (●F/MEM + pression brève)

Appuyer sur la touche ●F/MEM (6) puis sur la touche ▲ (4) pour activer/désactiver la fonction **SWR**. Le niveau du TOS s'affiche quand la fonction est active.

5) SÉLECTEUR DE CANAL ▼ ~ NIVEAU DU TALKBACK ▼ ~

•LOCAL

SÉLECTEUR DE CANAL ▼ sur le poste *(pression brève)*

La touche ▼ (5) permet de descendre d'un canal. Un beep sonore est émis à chaque changement de canal si la fonction **KEY BEEP** est activée (*voir fonction KEY BEEP page 26*).

La touche **DN (15)** du microphone a la même fonction.

NIVEAU DU TALKBACK ▼ *(PTT + pression brève)*

La fonction **TALKBACK** permet d'entendre dans le haut-parleur du poste sa propre modulation. Le réglage du niveau active automatiquement cette fonction. *Voir page 26*.

Appuyer d'abord sur la pédale **PTT (12)** puis sur la touche ▼ (5) pour diminuer du niveau actuel jusqu'à 1 (min.). Le niveau s'affiche durant 3 secondes si la touche **PTT (12)** n'est pas relâchée.

•LOCAL *(•F/MEM + pression brève)*

Appuyer sur la touche **•F/MEM (6)** puis sur la touche ▼ (5) pour activer/désactiver la fonction. «**LOCAL**» s'affiche quand la fonction est active.

Cette fonction permet une meilleure écoute des communications à courte distance. Quand votre interlocuteur est proche, activer cette fonction pour éviter la distorsion.

6) •F/MEM ~ DW ~ •COLOR

•F/MEM *(pression brève)*

Appuyer brièvement sur cette touche pour entrer dans le mode **FONCTION**. **F** clignote quand le mode est actif. **F** disparaît de l'afficheur au bout de 10 secondes si aucune autre touche n'est appuyée

Pour les mémoires, voir § **MÉMOIRE** page 26.

DW *(pression longue)*

Une pression plus longue (1s) permet d'activer/désactiver la fonction **Double Veille**. Quand la fonction est active «**DW**» s'affiche. Elle permet d'effectuer une veille entre le canal 9 ou 19 et le canal choisi. Une première pression longue active la fonction **DW** entre le canal 9 et le canal en cours. Une nouvelle pression active la fonction entre le canal 19 et le canal en cours. Le numéro du canal choisi et le canal 19 ou 9 s'affichent alternativement. L'icône «**EMG**» s'affiche également en même temps que le canal 9 ou 19. Le canal choisi peut être modifié pendant la double veille. Une nouvelle pression longue sur la touche **DW (6)** désactive la fonction **DW**.

•COLOR *(•F/MEM + pression longue)*

Appuyer brièvement sur la touche **•F/MEM (6)** puis une nouvelle pression longue sur la touche **•COLOR (6)** pour alterner entre les 3 couleurs suivantes : Vert -> Bleu -> Orange.

7) 9/19 ~ HI-CUT ~ •M3

9/19 *(pression brève)*

Les canaux 19 et 9 sont automatiquement sélectionnés en appuyant sur cette touche. Une première pression active le canal 9, «**EMG**» apparaît sur l'afficheur. Une 2ème pression active le canal 19, «**EMG**» reste affiché. Une nouvelle pression ramène à la configuration précédente, «**EMG**» disparaît.

HI-CUT *(pression longue)*

Élimination des parasites haute fréquence. À utiliser en fonction des conditions de réception. Une pression longue active le filtre **HI-CUT** et «**HI-CUT**» s'affiche. Une nouvelle pression longue désactive le filtre et «**HI-CUT**» disparaît.

•M3

Voir § **MÉMOIRE** page 26.

8) **ANL/NB ~ SCAN ~ •M2**

ANL/NB (pression brève)

ANL/Automatic Noise Limiter. Ce filtre permet de réduire les bruits de fond et certains parasites en réception.

NB/NoiseBlanker. NB est un filtre qui permet de supprimer un bruit d'allumage à la réception.

Une pression sur la touche **ANL/NB (8)** alterne sur les 4 positions suivante : • ANL et NB **off** • ANL **on** / NB **off** • ANL **off** / NB **on** • ANL et NB **on**.

Quand un filtre est actif, son nom «**ANL**» et/ou «**NB**» s'affiche.

SCAN (pression longue)

MODE CB

Maintenir la touche **SCAN (8)** pendant une seconde pour activer la fonction **SCAN** (balayage des **Canaux CB**) dans un ordre croissant. «**SCAN**» s'affiche. Le balayage s'arrête dès qu'un canal est actif. Le balayage démarre automatiquement 3 secondes après la fin de l'émission si aucune touche n'est activée pendant ce temps. Le balayage redémarre aussi dans un ordre croissant avec la touche ▲ (4) ou **UP (14)**, ou dans un ordre décroissant avec la touche ▼ (5) ou **DN (15)**.

Durant le scan, appuyer sur la touche •**F/MEM (6)** pour alterner entre les modes **Balayage des Canaux** et **Balayage des Mémoires**. Dans le mode **Balayage des Mémoires**, les canaux 9, 19 ainsi que les canaux mémorisé sont scannés.

La pédale **PIT (12)** ainsi que les touches **9/19 (7)**, **DW (6)** ou **SCAN (8)** (pression longue) permettent sortir de la fonction **SCAN**.

MODE MÉTÉO

Maintenir la touche **SCAN (8)** pendant une seconde pour activer la fonction **SCAN** (balayage des **Canaux Météo**) dans un ordre croissant. «**SCAN**» s'affiche. Le balayage s'arrête dès qu'un canal est actif. Le balayage démarre automatiquement 3 secondes après la fin de l'émission si aucune touche n'est activée pendant ce temps. Le balayage redémarre aussi dans un ordre croissant avec la touche ▲ (4) ou **UP (14)**, ou dans un ordre décroissant avec la touche ▼ (5) ou **DN (15)**.

Remarque : Si la fonction **ALERT** est active (voir page 24), l'alarme se déclenche uniquement quand un signal est détecté sur la canal **MÉTÉO actif**. Lancer au préalable le scan des canaux météo pour rendre la fonction **ALERT** opérationnelle sur **tous** les canaux **MÉTÉO**.

Une nouvelle pression longue sur la touche **SCAN (8)** désactive la fonction **SCAN**.

•M2

Voir § **MÉMOIRE** page 26.

9) **WX ~ ALERT ~ •M1**

WX (MODE MÉTÉO) (pression brève)

Les fonctions courantes de la CB ne sont pas permises en mode **WX**. À l'appui sur une touche non autorisée, si la fonction **KEY BEEP** est active, un beep d'erreur est émis. Appuyer sur la touche **WX (9)** pour activer le mode **WX**. «**WX**» s'affiche. Appuyer à nouveau cette touche pour désactiver ce mode. «**WX**» disparaît.

Le mode **WX** permet d'écouter des bulletins d'information météorologique. Quand ce mode est activé, utiliser les touches ▲/▼ (4/5) ou les touches **UP/DN (14/15)** du

microphone pour rechercher au travers des 7 canaux météorologiques le canal correspondant à votre localisation. L'afficheur indique le canal choisi et, si un signal météo est reçu, «**WX**» et «**ALERT**» clignotent.

ALERT (pression longue)

La sirène d'alerte ne se déclenche que dans les mode **PA** ou **CB**. Elle ne fonctionne pas en mode **WX**.

Appuyer pendant une seconde sur la touche **ALERT (9)** pour activer/désactiver la fonction. Quand la fonction est active et qu'un signal est détecté dans le canal météo actif, l'appareil émet une alerte «**SIRÈNE**». «**ALERT**» et le canal météo actif clignotent dans l'afficheur. L'appareil annule le mode **CB** ou **PA** pour passer en mode **WX**. Durant la sirène d'alerte, appuyer sur n'importe quelle touche pour arrêter le son. «**ALERT**» et le canal météo actif cessent de clignoter.

Remarque : L'alerte est émise uniquement quand un signal est détecté pour le canal MÉTÉO **sélectionné**. Pour qu'elle soit opérationnelle sur **tous** les canaux MÉTÉO, utiliser au préalable la fonction **SCAN** (voir fonction **SCAN** page 23) dans le mode **WX**.

•M1

Voir § **MÉMOIRE** page 26.

10) **CB/PA** ~ **LOCK** ~ •**VOX** ~ •**VOX SET**

CB/PA (pression brève)

Appuyer la touche **CB/PA (10)** pour alterner entre le mode **CB** et le mode **PA**.

MODE PA


Un haut-parleur de sonorisation extérieure peut être

connecté sur le poste par une prise jack située sur le panneau arrière **PA.SP. (D)**. Le volume du **PA** est réglable par le bouton **VOL (1)**. «**PA**» apparaît dans l'afficheur.

Les fonctions **ROGER**, **SCAN**, **MEM** et **VOX** ne sont pas autorisées dans ce mode. Si l'utilisateur passe en mode **PA** pendant qu'une des fonctions **SCAN** ou **9/19** est active cette dernière sera annulée. De même, si le mode **WX** est actif, il sera annulé.

Le message émis dans le microphone sera dirigé vers le haut-parleur extérieur et amplifié. L'afficheur indique «**PAon**» les numéros indique le niveau du signal.

LOCK (pression longue)

Permet de bloquer toutes les touches de la face avant. Un signal sonore d'erreur est émis quand une touche est utilisée alors que la fonction **KEY BEEP** est activée. Une pression longue sur **LOCK (10)** active/désactive la fonction **LOCK**. L'icône  s'affiche quand la fonction est active.

L'émission (micro ou vox) et la réception restent opérationnelles.

•**VOX** (•**F/MEM** + pression brève)

La fonction **VOX** permet d'émettre en parlant dans le micro d'origine (ou dans le micro vox optionnel) sans appuyer sur la pédale **PIT (12)**. L'utilisation d'un micro vox optionnel connecté à l'arrière de l'appareil (**E**) désactive le micro d'origine.

Appuyez un fois sur la touche •**F/MEM (6)** puis brièvement sur la touche •**VOX (10)** pour activer la fonction **VOX**. «**VOX**» apparaît dans l'afficheur. Une nouvelle pression sur les touches •**F/MEM (6)** et •**VOX (10)** désactive la fonction. «**VOX**» disparaît.

•**VOX SET** (•**F/MEM** + pression longue)

Appuyer une fois la touche •**F/MEM (6)** puis pendant une

seconde sur la touche **•VOX (10)** pour activer la fonction de **RÉGLAGE DU VOX**. Trois réglages sont possibles : Sensibilité **L** / Niveau Anti-Vox **¶** / Temporisation **£**. Appuyez brièvement sur la touche **•VOX (10)** pour passer au réglage suivant (en boucle **L** / **¶** / **£**). L'afficheur indique le type de réglage suivi de son niveau.

- Sensibilité «**L**» : permet de régler la sensibilité du micro (d'origine ou optionnel vox) pour une qualité de transmission optimum. Niveau réglable de 1 (niveau haut) à 9 (niveau bas) à l'aide des touches **▲/▼ (4/5)** ou **UP/DN (14/15)**. **L** correspond à la Sensibilité (Sensitivity Level).
- Anti-Vox «**¶**» : permet d'empêcher l'émission générée par les bruits ambiants. Niveau réglable de 0 (Off) à 9 (bas niveau) à l'aide des touches **▲/▼ (4/5)** ou **UP/DN (14/15)**. **¶** correspond à l'Anti-Vox (Anti-Vox Level).
- Temporisation «**£**» : permet d'éviter la coupure «brutale» de la transmission en rajoutant un délai à la fin de parole. Niveau réglable de 1 (délai court) à 9 (délai long) à l'aide des touches **▲/▼ (4/5)** ou **UP/DN (14/15)**. **£** correspond la temporisation (Delay time).

Une fois les réglages effectués, appuyer brièvement sur la touche **•F/MEM (6)** pour sortir du mode **RÉGLAGE DU VOX**. Effectuer les réglages du vox active automatiquement la fonction **VOX**. «**VOX**» apparaît dans l'afficheur

11) PRISE MICRO 6 BROCHES

Elle se situe en façade de votre appareil et facilite ainsi son intégration à bord de votre véhicule.

Voir schéma de branchement en page 60.

12) PTT

Pédale d'émission, appuyer pour parler, **PTT** s'affiche. Relâcher pour recevoir un message.

14) SÉLECTEUR DE CANAL UP sur le microphone

La touche **UP (14)** permet monter d'un canal. Un beep est émis à chaque changement de canal si la fonction **KEY BEEP** est active (Voir fonction **KEY BEEP** page 26).

Vous pouvez aussi utiliser la touche **▲ (4)** du poste.

15) SÉLECTEUR DE CANAL DN sur le microphone

La touche **DN (15)** permet de descendre d'un canal. Un beep est émis à chaque changement de canal si la fonction **KEY BEEP** est active (Voir fonction **KEY BEEP** page 26).

Vous pouvez aussi utiliser la touche **▼ (5)** du poste.

ROGER BEEP

Allumer l'appareil en maintenant la touche **▲ (4)** ou **UP (14)** pour activer la fonction **ROGER BEEP**. Un beep est émis si la fonction **KEY BEEP** est active.

L'icône «**♪**» apparaît dans l'afficheur lorsque la fonction est activée. Le **Roger Beep** émet un beep lorsqu'on relâche la pédale **PTT (12)** du micro pour laisser la parole à son correspondant. Historiquement, la CB étant un mode de communication «simplex», c'est-à-dire qu'il n'est pas possible de parler et d'écouter en même temps (comme c'est le cas pour le téléphone par exemple), il était d'usage de dire «Roger» une fois que l'on avait fini de parler afin de prévenir son correspondant qu'il pouvait parler à son tour. Le mot «Roger» a été remplacé par un beep significatif, d'où son nom «**Roger Beep**».

Remarque : Le **Roger Beep** est également entendu dans le haut-parleur si la fonction **KEY BEEP** est activée. Si la fonction **KEY BEEP** n'est pas activée, seul le correspondant peut entendre le **Roger Beep**.

En mode **PA** cette fonction n'est pas autorisée.

KEY BEEP

Beep sonore au changement de canal, touches etc.

Allumer l'appareil en maintenant la touche ▲ (5) ou DN (15) pour activer la fonction **KEY BEEP**. Un beep est émis, «BP» s'affiche.

Désactiver la fonction en utilisant la même procédure. «BP» disparaît.

MÉMOIRE

Ce poste permet de mémoriser 3 canaux avec les attributs suivants : ANL (on/off), NB (on/off), HI-CUT (on/off).

Pour appeler une mémoire : (*pression brève*)

- Appuyer brièvement la touche •F/MEM (6). Si la fonction **KEY BEEP** est active un beep est émis.
- Appuyer brièvement l'une des touches •M1 (9), •M2 (8) ou •M3 (7) pour afficher la mémoire sélectionnée.
- «MEM» et le numéro de la mémoire (1, 2 ou 3) s'affichent.

Pour mettre en mémoire : (*pression longue*)

- Sélectionner le canal et les attributs à mémoriser.
- Appuyer brièvement la touche •F/MEM (6). Si la fonction **KEY BEEP** est active un beep est émis.
- Appuyer pendant une seconde l'une des touches •M1 (9), •M2 (8) ou •M3 (7) pour stocker dans la mémoire. «MEM» apparaît dans l'afficheur.
- Si la fonction **KEY BEEP** est active, un long beep confirme le succès de l'opération.

Pour effacer une mémoire :

- Éteindre l'appareil.
- Maintenir l'une des touches •M1 (9), •M2 (8) ou •M3 (7) et allumer l'appareil.
- La mémoire sélectionnée est effacée. «MEM» disparaît de l'afficheur.

FONCTION TALKBACK (PTT + •F/MEM)

Appuyer en premier sur la touche **PTT (12)** puis sur la touche •F/MEM (6) pour activer/désactiver la fonction **TALKBACK**. Quand la fonction est active, «TALKBACK» s'affiche.

TOT (Time Out Timer)

Si la transmission, (**PTT** ou **VOX**) dépasse les 5 minutes, le canal et **TX** clignotent, l'émission se termine.

Un beep de TOT est émis jusqu'à ce que la pédale PTT (12) soit relâchée.

A) ALIMENTATION (13,8 V / 27,6 V)

B) PRISE D'ANTENNE (SO-239)

C) PRISE POUR HAUT-PARLEUR EXTÉRIEUR (8 Ω, Ø 3,5 mm)

D) PRISE POUR HAUT-PARLEUR PA EXTÉRIEUR (8 Ω, Ø 3,5 mm)

E) PRISE POUR MICRO VOX OPTIONNEL (Ø 2,5 mm)

C) CARACTÉRISTIQUES TECHNIQUES

1) GÉNÉRALES

- Canaux : 40
- Modes de modulation : AM
- Gamme de fréquence : de 26,965 MHz à 27,405 MHz
- Canaux météo : de 162,400 MHz à 162,550 MHz
- Impédance d'antenne : 50 ohms
- Tension d'alimentation : 13,8 V / 27,6 V
- Dimensions (L x P x H) : 6,69 x 5,91 x 2,05 pouces
170 x 150 x 52 mm
- Poids : 2,20 lbs / 1 kg
- Accessoires inclus : 1 microphone UP/DOWN ultra léger et son support, 1 berceau avec vis de fixation

2) ÉMISSION

- Tolérance de fréquence : +/- 200 Hz
- Puissance porteuse : 4 W (constant)
- Émissions parasites : inférieure à -60 dBc
- Réponse en fréquence : 300 Hz à 3 kHz
- Puissance émise dans le canal adjacent : inférieure à 20 µW
- Sensibilité du microphone : 3 mV
- Consommation : 2 A (avec modulation)
- Distorsion maximum du signal modulé : 1,8 %

3) RÉCEPTION

- Sensibilité maxi à 20 dB sinad : 0,6 µV - 113 dBm (AM/FM)
- Réponse en fréquence : 300 Hz à 3 kHz en AM/FM
- Sélectivité du canal adj. : > 60 dB
- Puissance audio maxi : 2 W
- Sensibilité du squelch : mini 0,2 µV - 120 dBm
maxi 1 mV - 47 dBm
- Taux de réj. fréq. image : 60 dB
- Taux de réjection fréquence intermédiaire : 70 dB
- Consommation : 300 mA nominal / 1000 mA max

D) GUIDE DE DÉPANNAGE

1) VOTRE POSTE N'ÉMET PAS OU VOTRE ÉMISSION EST DE MAUVAISE QUALITÉ

Vérifiez que :

- L'antenne soit correctement branchée et que le TOS soit bien réglé.
- Le micro soit bien branché.

2) VOTRE POSTE NE REÇOIT PAS OU VOTRE RÉCEPTION EST DE MAUVAISE QUALITÉ

Vérifiez que :

- La fonction **LOCAL** ne soit pas activée.
- Le niveau du squelch soit correctement réglé.
- Le bouton Volume soit réglé à un niveau convenable.
- L'antenne soit correctement branchée et le TOS bien réglé.

3) VOTRE POSTE NE S'ALLUME PAS

Vérifiez :

- Votre alimentation.
- Qu'il n'y ait pas d'inversion des fils au niveau de votre branchement.
- L'état du fusible.

E) COMMENT ÉMETTRE OU RECEVOIR UN MESSAGE ?

Maintenant que vous avez lu la notice, assurez-vous que votre poste est en situation de fonctionner (antenne branchée).

Appuyer sur la pédale de votre micro, et lancer le message «Attention stations pour un essai TX» ce qui vous permet de vérifier la clarté et la puissance de votre signal et devra entraîner une réponse du type «Fort et clair la station». Relâchez la pédale, et attendez une réponse. Dans le cas où vous utilisez un canal d'appel (19), et que la communication est établie avec votre interlocuteur, il est d'usage de choisir un autre canal disponible afin de ne pas encombrer le canal d'appel.

F) GLOSSAIRE

Au fil de l'utilisation de votre TX, vous découvrirez parfois un langage particulier employé par certains cibistes. Afin de vous aider à mieux le comprendre, vous trouverez ci-après dans le glossaire et le code «Q.» un récapitulatif des termes utilisés. Toutefois, il est évident qu'un langage clair et précis facilitera le contact entre tous les amateurs de radiocommunication. C'est la raison pour laquelle les termes que vous lirez ci-dessous sont donnés à titre indicatif, mais ne sont pas à utiliser de façon formelle.

ALPHABET PHONÉTIQUE INTERNATIONALE

A Alpha	H Hotel	O Oscar	V Victor
B Bravo	I India	P Papa	W Whiskey
C Charlie	J Juliett	Q Quebec	X X-ray
D Delta	K Kilo	R Romeo	Y Yankee
E Echo	L Lima	S Sierra	Z Zulu
F Foxtrott	M Mike	T Tango	
G Golf	N November	U Uniform	

LANGAGE TECHNIQUE

AM	: Amplitude Modulation (modulation d'amplitude)
BLU	: Bande latérale unique
BF	: Basse fréquence
CB	: Citizen Band (canaux banalisés)
CH	: Channel (canal)
CQ	: Appel général
CW	: Continuous waves (morse)
DX	: Liaison longue distance
DW	: Dual watch (double veille)
FM	: Frequency modulation (modulation de fréquence)
GMT	: Greenwich Meantime (heure méridien Greenwich)

GP	: Ground plane (antenne verticale)
HF	: High Frequency (haute fréquence)
LSB	: Low Side Band (bande latérale inférieure)
RX	: Receiver (récepteur)
SSB	: Single Side Band (Bande latérale unique)
SWR	: Standing Waves Ratio
SWL	: Short waves listening (écoute en ondes courtes)
SW	: Short waves (ondes courtes)
TOS	: Taux d'ondes stationnaires
TX	: Transceiver. Désigne un poste émetteur-récepteur CB. Indique aussi l'émission.
UHF	: Ultra-haute fréquence
USB	: Up Side Band (bande latérale supérieure)
VHF	: Very high Frequency (très haute fréquence)

LANGAGE CB

ALPHA LIMA	: Amplificateur linéaire
BAC	: Poste CB
BASE	: Station de base
BREAK	: Demande de s'intercaler, s'interrompre
CANNE À PÊCHE	: Antenne
CHEERIO BY	: Au revoir
CITY NUMBER	: Code postal
COPIER	: Écouter, capter, recevoir
FIXE MOBILE	: Station mobile arrêtée
FB	: Fine business (bon, excellent)
INFÉRIEURS	: Canaux en-dessous des 40 canaux autorisés
MAYDAY	: Appel de détresse
MIKE	: Micro
MOBILE	: Station mobile
NÉGATIF	: Non
OM	: Opérateur radio
SUCETTE	: Micro

SUPÉRIEURS : Canaux au-dessus des 40 canaux autorisés
TANTE VICTORINE : Télévision
TONTON : Amplificateur de puissance
TPH : Téléphone
TVI : Interférences TV
VISU : Se voir
VX : Vieux copains
WHISKY : Watts
WX : Le temps
XYL : L'épouse de l'opérateur
YL : Opératrice radio
51 : Poignée de mains
73 : Amitiés
88 : Grosses bises
99 : Dégager la fréquence
144 : Polarisation horizontale, aller se coucher
318 : Pipi
600 ohms : le téléphone
813 : Gastro liquide (apéritif)

CODE «Q»

QRA : Emplacement de la station
QRA Familial : Domicile de la station
QRA PRO : Lieu de travail
QRB : Distance entre 2 stations
QRD : Direction
QRE : Heure d'arrivée prévue
QRG : Fréquence
QRH : Fréquence instable
QRI : Tonalité d'émission
QRJ : Me recevez-vous bien ?
QRK : Force des signaux (R1 à R5)
QRL : Je suis occupé

QRM : Parasites, brouillage
QRM DX : Parasites lointains
QRM 22 : Police
QRN : Brouillage atmosphérique (orages)
QRO : Fort, très bien, sympa
QRP : Faible, petit
QRPP : Petit garçon
QRPPette : Petite fille
QRQ : Transmettez plus vite
QRR : Nom de la station
QRRR : Appel de détresse
QRS : Transmettez plus lentement
QRT : Cessez les émissions
QRU : Plus rien à dire
QRV : Je suis prêt
QRW : Avertissez que j'appelle
QRX : Restez en écoute un instant
QRZ : Indicatif de la station : par qui suis-je appelé?
QSA : Force de signal (S1 à S9)
QSB : Fading, variation
QSJ : Prix, argent, valeur
QSK : Dois-je continuer la transmission ?
QSL : Carte de confirmation de contact
QSO : Contact radio
QSP : Transmettre à...
QSX : Voulez-vous écouter sur...
QSY : Dégagement de fréquence
QTH : Position de station
QTR : Heure locale

CANAUX D'APPEL

27 AM : appel général en zone urbaine
19 AM : Routiers
9 AM : Appel d'urgence

CONDITIONS GÉNÉRALES DE GARANTIE

Cet appareil est garanti **2 ans** pièces et main d'œuvre dans le pays d'achat, contre tout défaut de fabrication validé par notre département technique. Le Service Après-vente PRESIDENT se réserve le droit de ne pas appliquer la garantie dans le cas où une panne est causée par une antenne autre que celles distribuées par PRESIDENT. Une extension de garantie de **3 ans** est proposée systématiquement pour l'achat simultané d'un poste et d'une antenne PRESIDENT, ce qui porte la durée totale de la garantie à **5 ans**. Pour faire valoir la garantie, veiller à effectuer son enregistrement en ligne sur le site de PRESIDENT ELECTRONICS dans un délai de 30 jours après la date d'achat, à l'adresse **www.president-electronics.us/warranty-registration**. Vous pouvez également accéder à cette page d'enregistrement de garantie à l'aide de votre smartphone pour lire (l'application doit être disponible) le code QR sur la carte de garantie jointe. Vous recevrez un courrier électronique de confirmation d'enregistrement de garantie. Nous vous recommandons de conserver une copie de ce courrier électronique.

Toute réparation sous garantie sera sans frais et les frais de livraison de retour seront pris en charge par PRESIDENT. Une preuve d'achat doit impérativement être jointe en cas de retour d'un Produit. Les dates figurant sur l'enregistrement de la garantie et la preuve d'achat doivent obligatoirement correspondre.

Dans le cas où l'appareil n'est plus sous garantie, la réparation et le retour de l'appareil seront facturés.

Aucune pièce détachée ne sera envoyée ni échangée par nos services au titre de la garantie. Assurez-vous d'avoir lu le manuel d'utilisation avant l'installation de l'appareil.

La garantie est valable uniquement dans le pays d'achat.

Sont exclus de la garantie:

- Les dommages causés par accident, tels que chocs, chutes, incendie ou emballage non approprié, la négligence, de mauvais entretien.
- L'usure normale d'un produit (les transistors de puissance, les micros, les lampes, les fusibles), l'utilisation non-conforme (y compris mais non limité à l'antenne utilisée avec puissance trop élevée, TOS trop important, inversion de polarité, mauvaises connexions, surtension, etc.), le non-respect des caractéristiques de montage et d'utilisation.

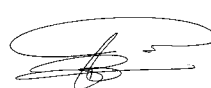
- La garantie ne peut être prolongée en raison de la non-disponibilité de l'appareil alors qu'il est en réparation au Service Après-vente PRESIDENT, ni par un changement d'un ou plusieurs composants ou pièces détachées.
- Tout Produit modifié ou réparé par le Client ou par toute autre personne non autorisée expressément par PRESIDENT.

Si vous constatez un dysfonctionnement :

- Vérifier l'alimentation électrique de votre appareil et la qualité du fusible.
- Vérifiez que l'antenne, le microphone sont correctement connectés.
- Vérifiez que le niveau du squelch soit correctement réglé; la configuration programmée soit la bonne.
- Dans le cas d'une réelle panne, veuillez contactez votre revendeur, qui décidera des mesures à prendre.

Au-delà de la période de garantie ou en dehors des conditions de garantie, vous aurez toujours la possibilité de faire inspecter ou réparer votre Produit. Dans ce cas, un devis vous sera communiqué.

Merci pour votre confiance dans la qualité et l'expérience de PRESIDENT. Pour que vous soyez pleinement satisfait de votre achat, nous vous conseillons de lire attentivement ce manuel.



La Direction Technique
et
Le Service Qualité



¡ ATENCIÓN !

Antes de la utilización tengan cuidado de nunca emitir sin haber previamente conectado la antena (conector "B" situado en la parte trasera de su equipo), ajustada la ROE (Relación de Ondas Estacionarias)! Sino, se expone a dañar el amplificador de potencia, no cubierto por la garantía.

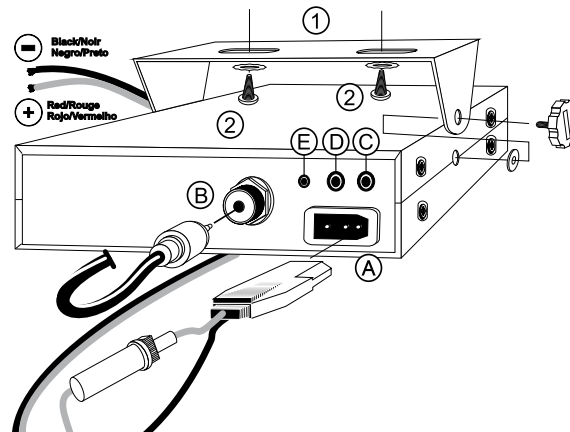
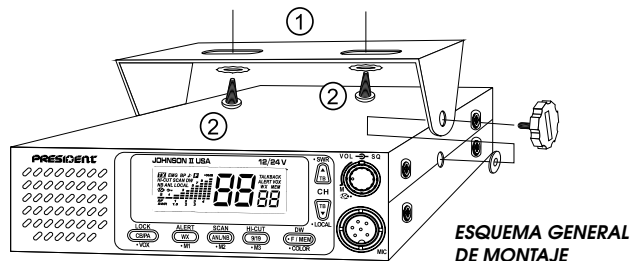
La garantía de este artículo sólo es válida en el país de compra.

Bienvenido al mundo de los emisores-receptores CB de última generación. Esta nueva gama de estaciones le permite acceder a la comunicación electrónica más competitiva. Gracias a la utilización de tecnología punta que garantiza una calidad sin precedentes, su PRESIDENT JOHNSON II USA 12/24 V representa un nuevo hito en la facilidad de uso y la solución por excelencia para el pro más exigente de CB. Para sacar el máximo partido de todas sus posibilidades, le aconsejamos leer atentamente estas instrucciones de uso antes de instalar y utilizar su CB PRESIDENT JOHNSON II USA 12/24 V.

A) INSTALACIÓN

1) ELEGIR EL EMPLAZAMIENTO Y MONTAJE DEL PUESTO MÓVIL

- Escoja el emplazamiento más apropiado para una utilización simple y práctica de su estación móvil.
- Procure que no moleste ni al conductor ni a los pasajeros del vehículo.
- Prevea el paso y la protección de los diferentes cables, (alimentación, antena, accesorios) con el fin de que en ningún caso perturben la conducción del vehículo.



- Utilice para el montaje el soporte (1) entregado con el aparato, fíjelo sólidamente con ayuda de los tornillos auto-roscantes (2) proporcionados (diámetro de agujero de 3,2 mm). Tenga cuidado de no dañar el sistema eléctrico del vehículo en el momento del taladro del salpicadero.
 - En el momento del montaje, no se olvide de insertar las arandelas de caucho (3) entre la estación y su soporte. Éstas tienen, en efecto, un papel "amortiguador" y permiten una orientación y presión suaves de la estación.
 - Escoja un emplazamiento para el soporte del micro y prevea el paso de su cable.
- NOTA:** Su estación móvil que posee una toma de micro en la parte anterior puede ser empotrada en el cuadro de mandos. En ese caso, se recomienda añadirle un altavoz externo para una mejor escucha de las comunicaciones (conector EXT.SP situado en la cara posterior del aparato; C). Infórmese con su vendedor más próximo para el montaje en su aparato.

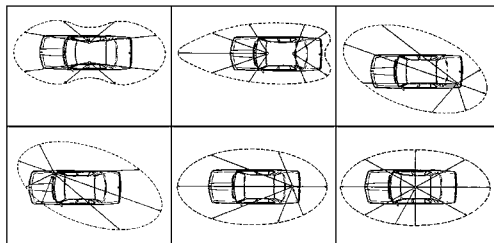
2) INSTALACIÓN DE LA ANTENA

a) Elección de la antena

- En CB, cuanto más grande es una antena, mejor es su rendimiento. Su Centro de Asesoramiento sabrá orientarle en su elección.

b) Antena móvil

- Hay que instalarla en un lugar del vehículo donde haya un máximo de superficie metálica (plano de masa), alejándose de los montantes del parabrisas y de la luneta trasera.
- En caso de que se haya instalado una antena de radio-telefono, la antena CB debe estar por encima de ésta.
- Existen 2 tipos de antenas: las preajustadas y las regulables.
- Las preajustadas se utilizan preferentemente con un buen plano de masa (en el techo o en el maletero).
- Las regulables ofrecen un campo de uso mucho más ancho y permiten sacar partido de planos de masa menos importantes (véase § 5 AJUSTE DE LA ROE).
- Para una antena de fijación por taladro, es necesario tener un contacto excelente entre la antena y el plano de masa; para ello, rasque ligeramente la chapa al nivel del tornillo y de la estrella de presión.
- En el momento del paso del cable coaxial, tenga cuidado de no pellizcarlo ni aplastarlo (riesgo de rotura o cortocircuito).
- Conecte la antena (B).



LÓBULO DE RADIACIÓN

c) Antena fija

- Procure abrirla al máximo. En caso de fijación sobre un poste, habrá que sostenerla eventualmente conforme a las normas vigentes (infórmese con un profesional). Las antenas y los accesorios PRESIDENT han sido especialmente concebidos para un rendimiento óptimo de todos los aparatos de la gama.

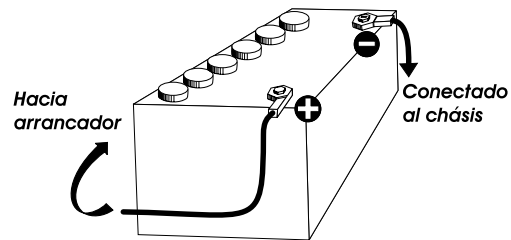
3) CONEXIÓN DEL ALIMENTADOR

Su PRESIDENT JOHNSON II USA 12/24 V está provista de una protección contra las inversiones de polaridad.

Vuestra emisora debe estar alimentada por una fuente de corriente continua de 12 o 24 voltios (A). En este momento, la mayor parte de los coches y camiones funcionan con una toma de tierra negativa, se puede asegurar verificando que el terminal (-) de la batería esté bien conectado al bloque del motor o bastidor. En el caso contrario, consulte con su suministrador.

Todas las operaciones de conexión siguientes, deben efectuarse con el cable de alimentación no conectado a la emisora:

- Asegúrense que el alimentador sea de 12 o 24 Voltios.
- Identifique los polos (+) y (-) de la batería (+ = rojo, - = negro). En el caso que sea necesario alargar el cable de alimentación utilice un cable de sección equivalente o superior.



- c) Es necesario conectar sobre un (+) y (-) permanentes. Les aconsejamos enchufar directamente el cable de alimentación en la batería (el enchufe sobre el cable del auto-radio o sobre otras partes del circuito electrónico podrán en ciertos casos favorecer la recepción de las señales parásitas).
- d) Conecten el hilo rojo (+) al borne positivo de la batería y el hilo negro (-) al borne negativo de la batería.
- e) Conectar el cable de alimentación a la emisora.

ATENCIÓN: ¡No reemplace jamás el fusible de origen (2 A) por un modelo de un valor diferente!

4) OPERACIONES DE BASE QUE HAY QUE EFECTUAR ANTES DE LA PRIMERA UTILIZACIÓN, SIN PASAR POR EMISIÓN (sin apretar la palanca del micro)

- a) Conecte el micro,
- b) Verifique la conexión de la antena,
- c) Puesta en marcha del aparato: gire el botón del volumen **VOL (1)** en el sentido de las agujas del reloj hasta oír un "clic".
- d) Gire el botón del squelch **SQ (2)** al mínimo (posición **M**).
- e) Ajuste el botón del volumen (1) a un nivel conveniente.
- f) Dirija la estación al canal 20 con ayuda de las teclas **▲/▼ (4/5)** o **UP/DN (14/15)** del micrófono.

5) AJUSTE DE LA ROE (Relación de Ondas Estacionarias)

ATENCIÓN: Esta operación debe efectuarse necesariamente en el momento de la primera utilización del aparato o en el momento de un cambio de antena. Este ajuste debe realizarse en un lugar abierto, al aire libre.

Ajustes con el medidor de ROE externo (tipo TOS-1 PRESIDENT):

- a) Empalme del medidor de ROE:

- Conecte el medidor de ROE entre la estación y la antena, lo más cerca posible de la estación (utilice para ello un cable de 40 cm máximo tipo CA-2C PRESIDENT).

b) Ajuste de la ROE:

- Posicione la estación hacia el canal 20,
- Sitúe el conmutador del medidor de ROE en posición FWD (calibración),
- Apriete la palanca del micro para pasar a emisión,
- Dirija la aguja al índice ▼ con ayuda del botón de calibración,
- Ponga el conmutador en posición REF (lectura del valor de la ROE). El valor leído en el indicador debe estar muy cerca de 1. En caso contrario, reajuste su antena hasta obtener un valor lo más cerca posible a 1 (puede aceptarse un valor de la ROE comprendido entre 1 y 1,8),
- Es necesario recalibrar el medidor de ROE entre cada operación de ajuste de la antena.

Observación: Con el fin de evitar las pérdidas y las atenuaciones en los cables de conexión entre la radio y sus accesorios, PRESIDENT recomienda una longitud de cable inferior a 3m.

Ajustes con el medidor de ROE interno

Presione la tecla **•F/MEM (6)** y la tecla **▲ (4)** o **UP (14)** del micrófono para activar/desactivarla función **SWR** (ver § **•SWR** página 35). El nivel de la ROE aparece en la pantalla. Cuando termine, desactive la función **SWR**.

Ahora, su estación está preparada para funcionar.

B) UTILIZACIÓN

1) INTERRUPTOR DE VOLUMEN

- Para encender la emisora girar el botón **VOL (1)** en el sentido de las agujas del reloj.
- Para aumentar el volumen girar el botón en el sentido de las agujas del reloj.

2) ASC (Automatic Squelch Control)/SQUELCH

Permite suprimir los ruidos de fondo indeseables en la ausencia de comunicación. El squelch no interviene ni en el volumen ni en la posición de emisión, pero permite escuchar confortablemente.

a) ASC (AJUSTE AUTOMÁTICO DEL SQUELCH)

Patente mundial, exclusividad de PRESIDENT.

Girar el botón del squelch **SQ (2)** en el sentido inverso de las agujas del reloj en la posición **ASC**. **ASC** aparece en la pantalla. En lugar de un ajuste manual repetitivo, se produce una optimización permanente entre la sensibilidad y la escucha confortable cuando el ASC está activado. Esta función es conmutable por la rotación del botón en sentido de las agujas de un reloj, en este caso el ajuste del squelch vuelve a ser manual.

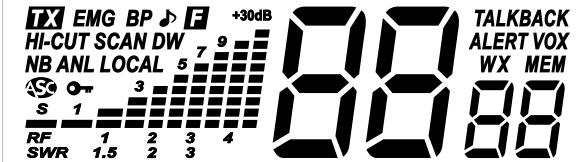
ASC desaparece de la pantalla.

b) SQUELCH MANUAL

Girar el botón del squelch en el sentido de las agujas del reloj justo hasta el punto exacto, todos los ruidos de fondo desaparecerán. Es un ajuste que se ha de hacer con precisión, pues colocado en posición máxima en el sentido de las agujas del reloj, únicamente las señales más fuertes pueden ser recibidas

3) PANTALLA

Permite visualizar todas las funciones.



El gráfico de barras indica el nivel de recepción y la potencia emitida.

4) SELECTOR DE CANAL ▲ ~ NIVEL DE TALKBACK ▲ ~ •SWR

SELECTOR DE CANAL ▲ en el equipo (presión breve)

La tecla **▲ (4)** permite subir de un canal. Se emite un "Beep" sonoro en cada cambio de canal si la función **KEY BEEP** está activada (Véase función **KEY BEEP** página 40).

También se puede utilizar la tecla **UP (14)** del micrófono.

NIVEL DE TALKBACK ▲ (PTT + presión breve)

La función **TALKBACK** permite escuchar su propia modulación. Ajustar el nivel activa automáticamente la función.

Presione primero la palanca **PTT (12)** y después la tecla **▲ (4)** para aumentar el nivel de **TALKBACK** del nivel actual hasta 9 (máx.). El nivel aparece en la pantalla por 3 segundos si la palanca **PTT (12)** no es liberado.

•**SWR** (•F/MEM + presión larga)

Presione la tecla **•F/MEM (6)** y la tecla **▲ (4)** o **UP (14)** del micrófono para activar/desactivar la función **SWR**. El nivel de la ROE aparece en la pantalla cuando la función está activada.

5) SELECTOR DE CANAL ▼ ~ NIVEL DE TALKBACK ▼ ~

•LOCAL

SELECTOR DE CANAL ▼ en el equipo (presión breve)

La tecla ▲ (5) permite bajar de un canal. Se emite un "Beep" sonoro en cada cambio de canal si la función **KEY BEEP** está activada (Véase función **KEY BEEP** página 40).

También se puede utilizar la tecla **DN** (15) del micrófono.

NIVEL DE TALKBACK ▼ (PTT + presión breve)

La función **TALKBACK** permite escuchar su propia modulación. Ajustar el nivel activa automáticamente la función.

Presione primero la palanca **PTT** (12) y después la tecla ▼ (5) para disminuir el nivel de **TALKBACK** del nivel actual hasta 1 (mín.). El nivel aparece en la pantalla por 3 segundos si la palanca **PTT** (12) no es liberado.

•LOCAL (•F/MEM + presión breve)

Presione la tecla **•F/MEM** (6) y la tecla ▼ (5) para activar/desactivar. Este función permite una mejor escucha de una comunicación cercana. Cuando el interlocutor está cerca, active la función para evitar distorsiones.

6) •F/MEM ~ DW ~ •COLOR

•F/MEM (presión breve)

Presione la tecla **•F/MEM** (6) para entrar en el modo **FUNCIÓN**. **F** parpadea cuando la función está activa. **F** desaparece automáticamente de la pantalla y la función se desactiva después de 10 segundos si ninguna tecla es presionada.

DW (presión larga)

Presione la tecla **•F/MEM** (6) durante 1 segundo para activar/desactivar la función **DOBLE ESCUCHA**. Cuando la función está activa, "DW" aparece en la pantalla. Esta función permite alternar la escucha entre los canales **9 / 19** y un canal elegido. La primera presión larga activa la función **DW** entre el canal **9** y el canal en curso. Una nueva presión larga activa la función **DW** entre el canal **19** y el canal en curso. El número del canal en curso y el canal **9/19** se visualizan alternativamente. El icono «**EMG**» se visualiza igualmente al mismo tiempo que el canal **9** o **19**, el canal elegido puede ser modificado durante la doble escucha. Presione nuevamente la tecla **•F/MEM** (6) durante 1 segundo para desactivar la función **DW**.

COLOR (•F/MEM + presión breve)

Pulsar una vez en la tecla **•F/MEM** (6) y nuevamente una presión larga sobre la tecla **•COLOR** para alternar entre los 3 colores disponibles: VERDE -> AZUL -> NARANJA.

7) 9/19 ~ HI-CUT ~ •M3

9/19 (presión breve)

Los canales 19 y 9 son seleccionados presionando esta tecla. Una pulsación activa el canal **9** y «**EMG**» aparece en pantalla, una segunda presión activa el canal **19**, «**EMG**» continua en pantalla, una nueva pulsación nos devuelve al canal activo anterior y desaparece «**EMG**» de la pantalla.

HI-CUT (presión larga)

Eficaz eliminador de parásitos de alta frecuencia en recepción. Debe ser utilizado de acuerdo con las condiciones de recepción. «**HI-CUT**» se visualiza en la pantalla cuando el filtro está activo

•M3

Ver § **MEMORIA** página 40.

8) ANL/NB ~ SCAN ~ •M2

ANL/NB (presión breve)

ANL/Automatic Noise Limiter permite reducir los ruidos de fondo y ciertos parásitos en recepción. **NB**/Noise Blanker permite suprimir ruidos de ignición en recepción.

Presione la tecla **ANL/NB (8)** para alternar la 4 posiciones

• ANL y NB off • ANL on / NB off • ANL off / NB on • ANL y NB on.

Cuando un filtro es activo, su icono “**ANL**” o “**NB**” aparece en la pantalla.

SCAN (presión larga)

MODO CB

Pulsar durante un segundo sobre la tecla **SCAN (8)** para activar la función **SCAN** (barrido de **canales CB**) dentro de un orden creciente. “**SCAN**” se muestra. La exploración se detiene cuando un canal está activo. El barrido comienza automáticamente 3 segundos después del final de la emisión si no se ha activado ninguna tecla durante este tiempo. El barrido se reinicia también en orden ascendente con la tecla ▲ (4) o UP (14), o en orden descendente con la tecla ▼ (5) o DN (15).

Durante el barrido de canales, presione la tecla •F/MEM (6) para alternar entre el modo **Barrido de Todos los Canales** y el modo **Barrido de los Canales Memorizados**.

En el modo **Barrido de los Canales Memorizados**, solo el canal 9, el canal 19 y los canales memorizados son barridos.

Para salir del **SCAN**, presione de nuevo durante 1 segundo la tecla **SCAN (8)** o las teclas **DW (6)** ou **9/19 (7)** o la palanca **PTT (12)**.

MODO WX

Pulsar durante un segundo sobre la tecla **SCAN (8)** para activar la función **SCAN** (barrido de **canales METEO**) dentro de un orden creciente. “**SCAN**” se muestra. La exploración se detiene cuando un canal está activo. El barrido comienza automáticamente 3 segundos después del final de la emisión si no se ha activado ninguna tecla durante este tiempo. El barrido se reinicia también en orden ascendente con la tecla ▲ (4) o UP (14), o en orden descendente con la tecla ▼ (5) o DN (15).

Nota: Si la función de alerta **ALERT** está activa (ver § **ALERT** página 38), la alarma se activa sólo cuando se detecta una señal por el canal METEO **activo**. Comience primero el barrido de los canales METEO para poner en funcionamiento la función **ALERT** en **todos** los canales METEO.

Una nueva pulsación larga en **SCAN** desactiva la función **SCAN**.

•M2

Ver § **MEMORIA** página 40.

9) WX ~ ALERT ~ •M1

WX (MODO METEOROLÓGICO) (presión breve)

Las funciones actuales de la CB no son activas en modo **WX**. Si la función **KEY BEEP** está activada, presionar una tecla no autorizada provoca la emisión de un “Beep” de erro.

Presione la tecla **WX (9)** para activar el modo **WX**. “**WX**” aparece en la pantalla. Presione de nuevo esta tecla para desactivar este modo. “**WX**” desaparece.

El modo **WX** le permite escuchar los informes meteorológicos. Cuando éste modo está activado, utilice las teclas

▲/▼ (4/5) o UP/DN (14/15) del micrófono para buscar a través de los 7 canales meteorológicos correspondientes a su ubicación.

La pantalla muestra el canal seleccionado y si se recibe una señal de tiempo, “WX” y “ALERT” parpadean en la pantalla.

ALERT (presión larga)

La alerta “SIRENA” sólo se escucha en el modo **CB** o en el modo **PA**. No funciona en el modo **WX**.

Presione durante 1 segundo la tecla **ALERT (9)** para activar/desactivar la función. Cuando se activa la función y se detecta una señal en el canal meteorológico activo, el dispositivo emite una alerta “SIRENA”. “ALERTA” y el canal meteorológico parpadea activo en la pantalla. El dispositivo cancela el modo CB o PA para cambiar al modo WX. Durante la sirena de alarma, pulse cualquier tecla para detener el sonido. “ALERTA” y el canal meteorológico cesan de parpadear.

Nota: Se emite la alerta sólo cuando se detecta una señal para el canal clima seleccionado. Para estar en funcionamiento en todos los canales Meteo, utilizar la función SCAN previamente (ver función **SCAN** página 37) en el modo WX.

•M1

Ver § **MEMORIA** página 40.

10) CB/PA ~ LOCK ~ •VOX ~ •VOX SET

CB/PA (presión breve)

Pulsar la tecla **CB/PA (10)** para cambiar entre el modo de **CB** y el modo de **PA**.

MODO PA

Un altavoz de megafonía exterior se puede conectar al equipo por la toma PA.SP. del panel posterior (**D**). El volumen **PA** es ajustable por el botón **VOL (1)**. “**PA**” aparece en la pantalla.

Las funciones **ROGER**, **SCAN**, **MEM** y **VOX** no se permiten en este modo. Si el usuario entra en modo de **PA** cuando las funciones **SCAN** o **9/19** están activas, éstas serán canceladas. Del mismo modo, si el modo **WX** está activo, se cancelará.

El mensaje transmitido por el micrófono, se aplicará amplificado en el altavoz externo. La pantalla muestra “**PAon**” los números indican el nivel de señal.

LOCK (presión larga)

Permite bloquear todas las teclas de la parte frontal. Si la función **KEY BEEP** está activa, el equipo emite una señal sonora de error si se utiliza una tecla.

Presione durante 1 segundo la tecla **LOCK (10)** para activar/desactivar la función **LOCK**. Cuando la función está activa  aparece en la pantalla.

La emisión (micrófono o vox) y la recepción quedan operacionales.

•VOX (•F/MEM + presión breve)

La función **VOX** permite emitir hablando en el micro de origen (o en el micro vox opcional) sin apretar la palanca **PTT (12)**. La utilización de un micro vox opcional conectado detrás del aparato (**E**) desactiva el micro de origen.

Presione una vez la tecla **•F/MEM** y brevemente la tecla **•VOX** para activar la función **VOX**. Aparece en la pantalla el icono “**VOX**”. Una nueva presión en la teclas **•F/MEM** y **•VOX** desactiva la función. El icono “**VOX**” desaparece.

•VOX SET (•F/MEM + presión larga)

Presione una vez la tecla •F/MEM y la tecla •VOX durante 1 segundo para activar la función **AJUSTE DEL VOX**. Hay tres ajustes posibles: Sensibilidad **L** / Nivel Anti-Vox **A** / Temporización **t**. Apriete brevemente la tecla •VOX (10) para pasar al siguiente ajuste (en bucle **L/A/t**). La pantalla indica el tipo de ajuste seguido de su nivel.

- **Sensibilidad "L"**: permite ajustar la sensibilidad del micro (de origen u opcional vox) para una calidad de transmisión óptima. Nivel regulable de 1 (nivel alto) a 9 (nivel bajo) con ayuda de las teclas **▲/▼ (4/5)** o **UP/DN (14/15)**. **L** corresponde a la Sensibilidad (Sensitivity Level).
- **Anti-Vox "A"**: permite impedir la emisión generada por los ruidos del entorno. Nivel regulable de 0 (Off) a 9 (nivel bajo) con ayuda de las teclas **▲/▼ (4/5)** o **UP/DN (14/15)**. **A** corresponde al Anti-Vox (Anti-Vox level).
- **Temporización "t"**: permite evitar el corte "brusco" de la transmisión añadiendo un tiempo al final de palabra. Nivel regulable de 1 (tiempo corto) a 9 (tiempo largo) con ayuda de las teclas **▲/▼ (4/5)** o **UP/DN (14/15)**. **t** corresponde a la temporización (Delay Time).

Una vez efectuados los ajustes, apriete la tecla •F para salir del modo **AJUSTE DEL VOX**. Terminados los ajustes, la función **VOX** está activada automáticamente. "VOX" aparece en la pantalla.

11) TOMA DE MICRO DE 6 CONTACTOS

Se encuentra delante del aparato y facilita así su integración a bordo del vehículo.

Véase esquema de conexión en la página 60.

12) PTT

Palanca de emisión, apriete para hablar, se muestra **TX**, y suelte para recibir un mensaje.

14) SELECTOR DE CANAL UP del micrófono

La tecla **UP (14)** permite subir de un canal. Se emite un "Beep" sonoro en cada cambio de canal si la función **KEY BEEP** está activada (Véase función **KEY BEEP** página 40).

También se puede utilizar la tecla **▲ (4)** del equipo.

15) SELECTOR DE CANAL DN del micrófono

La tecla **DN (15)** permite bajar de un canal. Se emite un "Beep" sonoro en cada cambio de canal si la función **KEY BEEP** está activada (Véase función **KEY BEEP** página 40).

También se puede utilizar la tecla **▼ (5)** del equipo.

ROGER BEEP

Encender el equipo manteniendo la tecla **▲ (4)** o **UP (14)** para activar la función **ROGER BEEP**.

Aparece el icono "♪" en la pantalla cuando se activa la función. El **ROGER BEEP** emite un pitido cuando se suelta el pedal del micro para dejarle la palabra a su interlocutor. Históricamente, al ser la CB un modo de comunicación "simplex", es decir que no es posible hablar y escuchar al mismo tiempo (como en el caso del teléfono por ejemplo), era usual decir "Roger" cuando se había terminado de hablar para avisar al interlocutor que ya podía hablar. La palabra "Roger" ha sido reemplazada por un "beep" significativo, de ahí su nombre "**Roger Beep**".

Observación: El **ROGER BEEP** también se escucha en el altavoz si la función **KEY BEEP** está activada. Si la función **KEY BEEP** no está activada, sólo el interlocutor puede escuchar el **ROGER BEEP**.

En modo **PA**, esta función está desactivada.

KEY BEEP

“Beep” sonoro al cambio de canal, botones etc

Encender el equipo manteniendo presionada la tecla ▲ (5) o UP(15) para activar la función **KEY BEEP**. Un “Beep” se emite, “BP” aparece en la pantalla.

Usar el mismo procedimiento para desactivar la función. “BP” desaparece de la pantalla.

MEMORIA

Este equipo permite la memorización de 3 canales con los atributos siguientes: ANL (on/off), NB (on/off), HI-CUT (on/off).

Para recuperar una memoria: (presión breve)

- Pulsar brevemente sobre la tecla •F/MEM (6), si la función **KEY BEEP** es activada, se emite un “Beep” sonoro.
- Pulsar •M1 (9), •M2 (8) o •M3 (7) para seleccionar el canal memorizado.
- “MEM” y el número de la memoria (1, 2 o 3) aparecen en la pantalla.

Para memorizar: (presión larga)

- Seleccione el canal y sus atributos.
- Pulsar brevemente sobre la tecla •F/MEM (6), si la función **KEY BEEP** es activada, se emite un “Beep” sonoro.
- Pulsar durante 1 segundo sobre M1 (9), M2 (8) o M3 (7) para memorizar. “MEM” aparece en la pantalla.
- Si la función **KEY BEEP** está activada, un largo “beep” de confirmación es emitido.

Para borrar una memoria:

- Apagar el equipo
- Mantener presionada la tecla •M1, M2 o M3 y encender el equipo.
- La memoria seleccionada se ha borrado. “MEM” desaparece de la pantalla.

FUNCIÓN TALKBACK (PTT + •F/MEM)

Apriete primero la palanca **PTT (13)** y después la tecla •F/MEM (6) para activar/desactivar la función **TALKBACK**. Cuando la función está activa, «TALKBACK» aparece en la pantalla.

TOT (Time Out Timer)

Si la emisión (**PTT** o **VOX**) dura más de 5 minutos, el canal y **TX** empiezan a parpadear y la emisión finaliza.

La confirmación sonora de fin de emisión es audible hasta que se deje de presionar la palanca **PTT (12)**.

A) ALIMENTACIÓN (13,8 V / 27,6 V)

B) ANTENA (SO-239)

C) TOMA ALTAVOZ EXTERNO (8 Ω, Ø 3,5 mm)

D) TOMA ALTAVOZ PA EXTERIOR (8 Ω, Ø 3,5 mm)

E) MICRÓFONO VOX OPCIONAL (Ø 2,5 mm)

C) CARACTERÍSTICAS TÉCNICAS

1) GENERALES

- Canales : 40
- Modos de modulación : AM
- Gama de frecuencias : de 26,965 MHz a 27,405 MHz
- Canales meteorológicos : de 162,400 MHz a 162,550 MHz
- Impedancia de la antena : 50 ohms
- Tensión de la alimentación : 13,8 V / 27,6 V
- Dimensiones (L x P x A) : 6,69 x 5,91 x 2,05 inches
170 x 150 x 52 mm
- Peso : 2,20 lbs / 1 kg
- Accesorios incluidos : Micrófono Electret ultra ligero y su soporte, 1 soporte de montaje, tornillos

2) EMISIÓN

- Tolerancia de Frecuencia : +/- 200 Hz
- Potencia portadora : 4 W (constante)
- Emisiones parásitas : inferior -60 dBc
- Respuesta de Frecuencia : 300 Hz a 3 KHz
- Potencia emisión en el canal adyacente. : inferior a 20 μ W
- Sensibilidad del micrófono : 3 mV
- Consumo : 2 A (con modulación)
- Distorsión máx. de la señal modulada : 1,8 %

3) RECEPCIÓN

- Sensibilidad máxima a 10 dB (S+N)/N : 0,6 μ V - 111 dBm
- Respuesta en frecuencia : 300 Hz a 3 KHz
- Sensibilidad del canal adj. : > 60 dB
- Potencia audio máx. : 2 W
- Sensibilidad silenciador (squelch) : mínimo 0,2 μ V - 120 dBm
máximo 1 mV - 47 dBm
- Tasa de rechazo frecuencia imagen : 60 dB
- Tasa de rechazo frecuencia intermedia : 70 dB
- Consumo : 300 mA nominal / 1000 mA máximo

D) GUÍA DE PROBLEMAS

1) LA EMISORA NO EMITE O VUESTRA EMISIÓN ES DE MALA CALIDAD

- La antena esté correctamente conectada y que la ROE esté bien ajustada.
- El micro esté bien conectado.

2) LA EMISORA NO RECIBE O VUESTRA RECEPCIÓN ES DE MALA CALIDAD

Verifique que:

- La función **LOCAL** está desactivada,
- El nivel del squelch esté correctamente ajustado,
- El botón de volumen **VOL (1)** esté ajustado a un nivel conveniente,
- El micro esté conectado,
- La antena esté correctamente conectada y la ROE esté bien ajustada,

3) LA EMISORA NO SE ILUMINA

- Verificar el alimentador.
- Verificar que no haya una inversión en los hilos al nivel de la acometida.
- Verificar el fusible.

E) ¿ COMO EMITIR O RECIBIR UN MENSAJE ?

Ahora que ha leído las instrucciones de uso, asegure se que su emisora esté lista para funcionar (antena conectada). Puede entonces apretar sobre la palanca de su micrófono, y lanzar el mensaje "atención estaciones, ensayo de emisora", lo que permite verificar la claridad y la potencia de su señal y debe provocar una contestación de tipo: "fuerte y claro la estación".

Suelte la palanca y espere una contestación. Si utiliza un canal de llamada (19), y la comunicación se establece, es preciso elegir otro canal disponible para no obstruir el canal de llamada.

F) LÉXICO

Durante la utilización de su emisora, descubrirán un lenguaje particular empleado por algunos cebeistas. Para ayudarles a entenderlo mejor, le damos, en el léxico y el código "Q", un recapitulativo de las palabras utilizadas. Sin embargo, es evidente que un lenguaje claro y preciso facilitará el contacto entre los aficionados de radiocomunicación. Por eso, las palabras mencionadas a continuación son solo indicativas, y no deben ser utilizadas de manera formal

ALFABETO FONÉTICO INTERNACIONAL

A Alpha	H Hotel	O Oscar	V Victor
B Bravo	I India	P Papa	W Whiskey
C Charlie	J Juliett	Q Quebec	X X-ray
D Delta	K Kilo	R Romeo	Y Yankee
E Echo	L Lima	S Sierra	Z Zulu
F Foxtrott	M Mike	T Tango	
G Golf	N November	U Uniform	

TERMINOS DEL ARGOT CEBEISTA

A.L.	: Amplificador lineal
ARMONICOS	: Hijos
AVE MARIA	: Amplitud de modulación
BARBAS	: Interferencias de canales próximos
BARRA MOVIL	: Estación de movimiento
BASE	: Estación fija
BIGOTADA	: Reunión de aficionados
BREAK	: Solicitar transmisión o entrada
BREAKER	: El que interrumpe
CAJA TONTA	: Televisión
CHICHARRA	: Amplificador lineal
CORTINERO	: Radioescucha

CRUCE DE ANTENAS	: Comunicación en CB
DOS METROS HORIZONTALES	: La cama
ENCENDER FILAMENTOS	: Encender el equipo de CB
ESPIRAS	: Edad
FOTOCOPIA	: Hermano/hermana
FRECUENCIA	: Megahertzios que corresponden al canal
KAS	: Pesetas expresadas generalmente en mil
LABORO	: Trabajo, ocupación
LADRILLO	: Emisora de 27 MHz
LINEA DE BAJA O LINEA DE 500	: Teléfono
MODULAR	: Hablar emitiendo
O.K.	: Conforme, de acuerdo
OKAPA	: Conforme
P.A.	: Megafonía
PASTILLA	: Micrófono
P.O. BOX	: Apartado de Correos
PRIMERISIMOS	: Padres
PUNTITO	: Lugar de reunión
PUNTOS VERDES	: Guardia Civil
E.	: Recibido
RX	: Receptor
SAXO	: Marido, novia
SECRETARIA	: Amplificador lineal
TIA VINAGRE O TIA VIRGINIA	: Televisión
TRASMATA	: Radioescucha
TX	: Transmisor
VERTICAL	: Encontrarse en persona
VIA BAJA	: Teléfono
VITAMINARSE	: Comer, cenar
WISKIES	: Watios
ZAPATILLA	: Amplificador lineal

33	: Saludos amistosos
51	: Abrazos
55	: Mucho éxito
73	: Saludos
88	: Besos y cariños

CÓDIGO “Q”

QRA	: Nombre de estación u operador
QRB	: Distancia aproximada en línea recta entre dos estaciones
QRG	: Frecuencia exacta
QRI	: Tonalidad de una emisión valorada de 1 a 3
QRK	: Legibilidad, comprensibilidad de una señal. En CB, Radio valorado de 1 a 5
QRL	: Estar ocupado, trabajando
QRM	: Interferencia, valorado de 1 a 5
QRO	: Aumentar la potencia del emisor
QRP	: Disminuir la potencia del emisor
QRT	: Cesar la emisión
QRV	: Estar preparado, dispuesto
QRX	: Cita para transmitir. En CB, “Manténgase a la Escucha”
QRY	: Turno para transmitir
QRZ	: Nombre de la estación que llama. En CB, “Quedar a la escucha”
QSA	: Fuerza de una señal. En CB Santiago. Valorado de 1 a 9
QSB	: Variaciones de la fuerza de señal. Desvanecimiento. Fading. Valorado de 1 a 5
QSL	: Acuse de recibo. Tarjeta confirmando comunicación
QSO	: Solicitar comunicación. En CB, además, comunicación directa entre dos o más estaciones
QSP	: Retransmisión a través de estación puente
QSY	: Pasar a transmitir en otra frecuencia o canal
QTC	: Mensaje a transmitir

QTH	: Localización geográfica de la estación
QTR	: Hora exacta
QUT	: Localización geográfica de accidente o siniestro

NOTA: El Código Q es la fusión de las dos definiciones, como pregunta y como respuesta, es una sola definición aceptada en CB.

CONDICIONES GENERALES DE GARANTÍA

Este aparato tiene una garantía de **2 años** de piezas y mano de obra en el país de compra, contra cualquier vicio o defecto de fabricación que sea reconocido por nuestro departamento técnico. El laboratorio del SPV de PRESIDENT se reserva el derecho de no aplicar la garantía si una avería ha sido provocada por una antena no distribuida por la marca PRESIDENT. Una extensión de garantía de **3 años** se aplicará sistemáticamente, por la compra simultánea de una emisora y de una antena de la marca PRESIDENT, aumentando la garantía total a **5 años**. Para ser válido, el registro de la garantía debe ser completado y enviado dentro de los 30 días siguientes a la compra para PRESIDENT al www.president-electronics.us/warranty-registration. También puede acceder a esta página de registro de garantía mediante el uso de su smartphone para leer (la aplicación debe estar disponible) el código QR en la tarjeta de garantía adjunta. Usted recibirá un correo electrónico de confirmación si el registro se ha realizado correctamente. Le recomendamos que guarde una copia de este correo electrónico.

Cualquier reparación en garantía será gratis y los gastos de envío de vuelta correrán a cargo de PRESIDENTE. La prueba de compra, factura de venta, debe ser obligatoriamente adjunta al aparato cuando se envíe para su reparación. Las fechas inscritas en el resguardo de garantía y la prueba de compra deben concordar.

En caso de que la unidad está fuera de garantía, se le cobrará la reparación y devolución del aparato.

Ninguna pieza de recambio será enviada, por nuestro departamento técnico, en base a la garantía.

Asegúrese de haber leído el manual antes de la instalación de la unidad.

La garantía sólo es válida en el país de compra.

Esta garantía no cubre:

- Los daños causados por accidente, como golpes, caídas, incendios, embalaje inadecuado, negligencia o mantenimiento inadecuado.
- El desgaste normal de un producto (transistores de potencia, micrófonos, luces, fusibles), el uso indebido (incluyendo la antena utilizada, demasiada ROE, polaridad inversa, malas conexiones, sobre-tensión, etc.), y si no se siguen las características de instalación y el uso.

- La garantía no puede extenderse debido a la falta de disponibilidad del dispositivo, mientras está siendo reparado en el SPV PRESIDENT, ni por un cambio de uno o más componentes o piezas de repuesto.
- Todos los productos modificados o reparados por el cliente o cualquier otra persona no autorizada expresamente por PRESIDENT.

Si Ud. observa defectos de funcionamiento:

- Compruebe la alimentación de su aparato y el estado del fusible.
- Compruebe que la antena y el micrófono están conectados correctamente.
- Compruebe que el nivel desquelch está configurado correctamente y la configuración programada es la correcta.
- En caso de un fallo de funcionamiento real, por favor póngase en contacto con su distribuidor en primer lugar, que decidirá qué medidas tomar.

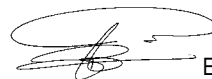
En caso de una intervención no cubierta por la garantía o fuera del plazo, usted tendrá posibilidad de hacer inspeccionar o reparar su producto. Se hará un presupuesto previo por escrito para su posterior aceptación.

Ud. ha confiado en la experiencia y calidad de PRESIDENT y se lo agradecemos. Para que quede totalmente satisfecho de su compra, aconsejamos leer atentamente este manual.

La Dirección Técnica

y

El Departamento de Calidad



AVISO!

*Antes de utilizar o seu aparelho, tenha o cuidado de nunca transmitir sem primeiro ter ligado a antena (ligação **B** situada no painel traseiro do equipamento) ou sem ter afinado as ondas estacionárias (SWR). Se não tiver feito estas operações, o resultado pode ser a avaria do amplificador de potência (chamado andar final) que não está coberto pela garantia.*

A garantia deste artigo só é válida no país de compra.

Bem-vindo ao mundo da geração de transceptores CB. Esta nova gama de estações dá-lhe acesso à comunicação eletrônica mais competitiva. Usando tecnologia de ponta para garantir a qualidade incomparável, o seu **PRESIDENT JOHNSON II USA 12/24 V II** representa um novo marco na facilidade de uso e a solução ideal para o usuário mais exigente dos CB. Para tirar o máximo proveito de todas as suas possibilidades, aconselhamo-lo a ler estas instruções cuidadosamente antes de instalar e utilizar o seu **PRESIDENT.JOHNSON II USA 12/24 V**.

A) INSTALAÇÃO

1) ONDE E COMO INSTALAR O SEU RÁDIO CB

- Escolha o local mais apropriado para a utilização prática e simples da estação móvel.
- Tente não perturbar o motorista ou passageiros do veículo.
- Forneça a passagem e proteção dos diferentes fios (alimentação, antena, acessórios) para que de nenhuma forma interfiram com o funcionamento do veículo.

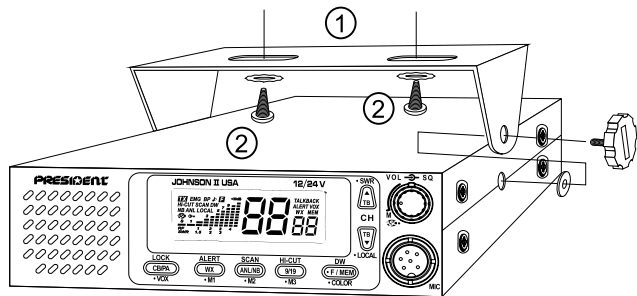
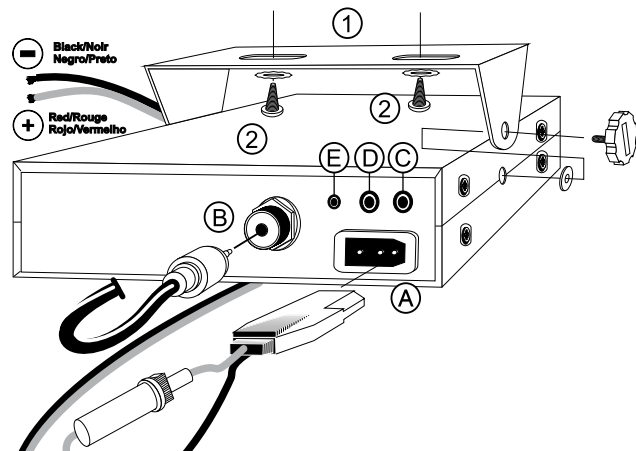


DIAGRAMA GERAL DE MONTAGEM



- Use para a montagem o suporte (1) fornecido com o dispositivo, fixe-o solidamente com a ajuda dos parafusos auto perfurantes (2) (diâmetro do furo 3,2 mm). Tenha cuidado para não danificar o sistema elétrico do veículo no momento de fazer os furos.
 - No momento da instalação, não se esqueça de inserir as anilhas de borracha (3) entre a estação e o seu suporte. Elas têm, com efeito, um papel de "amortecedor" e permitem orientação e pressão suaves da estação.
 - Escolha um local para apoio ao micro e forneça a passagem do cabo.
- **NOTA:** A estação móvel possui um soquete de microfone na parte da frente que pode ser embutido no painel. Nesse caso, é recomendável adicionar um alto-falante externo para uma melhor qualidade de som das comunicações (conector EXT.SP. na parte de trás da unidade: C). Pergunte ao seu fornecedor mais próximas informações para montar o seu equipamento de CB.

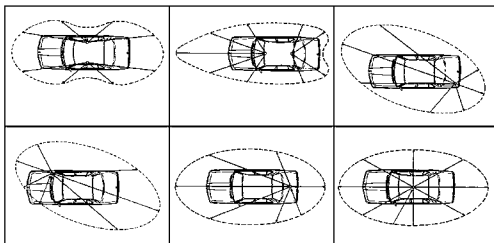
2) INSTALAÇÃO DA ANTENA

a) Escolha da antena

- Para os equipamentos de CB, quanto maior seja a antena melhores são os resultados obtidos. O seu fornecedor deve estar habilitado a ajudá-lo na sua escolha.

b) Antenas Móveis

- Deve ser fixada ao veículo num local onde há um máximo de superfície metálica (plano de terra) distanciando-se dos pilares do para-brisas e do vidro traseiro.
- Se uma antena de rádio está instalada, a antena CB deve estar acima desta.
- Existem dois tipos de antenas: as pré-ajustadas e as ajustáveis
- As pré-ajustadas são usadas de preferência com um bom plano de terra (no teto ou no porta-malas do carro)
- As ajustáveis oferecem um campo de utilização muito mais amplo e permitem tirar proveito de planos de massa menores (ver § 5 **AJUSTE ROE** página 48).
- Para um furo de fixação da antena, você precisa ter um excelente contato entre a antena e o plano de terra – para isso, raspe levemente a superfície ao nível do parafuso e da anilha de pressão.
- No momento da passagem do cabo coaxial, tenha cuidado para não prender ou esmagar (risco de quebra ou curto-circuito).
- Ligue a antena (B).



LÓBULO DE
RADIÇÃO

c) Antenas Fixas

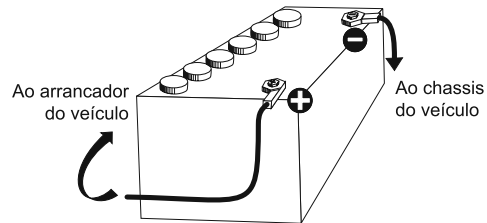
- Uma antena fixa deve ser instalada num espaço o mais livre possível. Se for fixa num mastro, talvez seja preciso fixá-la de acordo com a legislação em vigor (consulte com o seu distribuidor). As antenas e os acessórios PRESIDENT foram desenvolvidos para oferecer o máximo rendimento.

3) CONEXÃO DE ALIMENTAÇÃO

O seu PRESIDENT JOHNSON II USA 12/24 V é equipado com proteção contra inversões de polaridade. No entanto, antes de qualquer articulação, verifique as ligações.

A sua estação deve ser alimentada por uma fonte de alimentação DC de 12 ou volts (A). Atualmente, a maioria dos carros e camiões são de ligação à terra negativa. Podemos ter certeza verificando se o terminal (-) da bateria está bem ligado ao bloco do motor ou chassis. Caso contrário, contate o seu fornecedor.

- Certifique-se que o fornecimento de energia é de 12 ou 24 volts.
- Localize os terminais (+) e (-) da bateria (+ = vermelho, - = preto). No caso de que é necessário estender o cabo de alimentação, use um cabo de secção igual ou superior.
- É necessário ligar a um (+) e (-) permanente. Aconselhamos, portanto, que ligue diretamente o cabo de alimentação à bateria (o link de cabo para o rádio do carro ou de outras partes do circuito elétrico pode, em alguns casos, aumentar a probabilidade de interferência).



- d) Ligue o fio vermelho (+) ao terminal positivo da bateria e o fio preto (-) ao terminal negativo da bateria.
- e) Ligue a fonte de alimentação à estação.

AVISO: Nunca substitua o fusível original (2 A) por um modelo de um valor diferente!

4) OPERAÇÕES BÁSICAS PARA EXECUTAR ANTES DO PRIMEIRO USO SEM PASSAR POR EMISSÕES (sem pressionar o botão de emissão (PTT) do micro)

- a) Ligue o micro.
- b) Verifique a ligação da antena.
- c) Inicie o aparelho: rode o botão de volume **VOL (1)** no sentido dos ponteiros do relógio.
- d) Rode o botão silenciador **SQ (2)** para o mínimo (posição **M**).
- e) Ajuste o botão de volume (1) a um nível adequado.
- f) Dirija a estação ao canal 20 usando as teclas **▲/▼ (4/5)** ou **UP/DN (14/15)** no microfone.

5) AJUSTE ROE (Relação das Ondas Estacionárias)

A operação deve ser realizada no momento da primeira utilização do dispositivo ou de uma mudança de antena. Isto deve ser feito numa área aberta ao ar livre.

Ajustes com o medidor de SWR externo (tipo TOS-1 PRESIDENT)

a) Ligação do medidor de SWR:

- Ligue o medidor de ROE entre a estação e a antena o mais próximo possível da estação (usar um cabo de 15,75 polegar (40 cm) máximo tipo CA- 2C PRESIDENT).

b) Ajuste da ROE:

- Posicione a estação para o canal 20,
- Coloque o interruptor do medidor SWR na posição FWD (calibração)

- Pressione o botão de emissão do microfone para transmitir
- Direcione a agulha para o índice ▼ usando o botão de calibração,
- Ponha o interruptor na posição REF (leitura da ROE). O valor lido do indicador deve ser muito próximo de 1. Caso contrário, reconfigure a antena para obter um valor tão próximo quanto possível de 1 (o valor SWR pode ser aceitável entre 1 e 1,8),
- É necessário calibrar o medidor de ROE entre cada operação de ajuste da antena.

Nota: A fim de evitar perdas e atenuação nos cabos de ligação entre o rádio e os acessórios, PRESIDENT recomenda um comprimento inferior de cabo a 3 metros.

Ajustes com o medidor de SWR interno

Pressione a tecla **•F/MEM (6)** seguido da tecla **▲ (4)** ou **UP (14)** no microfone para ativar (/desativar) a função **SWR** (ver § **•SWR** página 49). O valor da ROE é indicado no display. Quando terminar o ajuste, desative a função **SWR**.

Agora, a estação está pronta para funcionar.

B) UTILIZAÇÃO

1) INTERRUPTOR / VOLUME

- a) Para ligar o aparelho rode o botão **VOL (1)** no sentido dos ponteiros do relógio.
- b) Para aumentar o volume rode este botão no sentido dos ponteiros do relógio.

2) ASC (Automatic Squelch Control) / SILENCIADOR

Permite eliminar ruídos de fundo indesejáveis na ausência de comunicação. O silenciador não atua sobre o som nem sobre a potência de transmissão, mas permite que você escute confortavelmente.

a) **ASC (ajuste automático do silenciador)**

Patente Mundial, exclusividade da PRESIDENT.

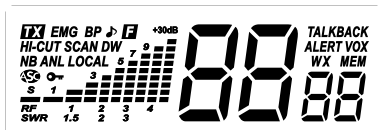
Rode o botão **SQ (2)** no sentido inverso aos ponteiros de um relógio na posição **ASC**. “**ASC**” é exibida no display. Nenhum ajuste manual repetitivo, otimização permanente entre a sensibilidade e a audição confortável quando o **ASC** está ativado. Esta função é desligada, rodando o botão **SQ (2)** no sentido dos ponteiros de um relógio, neste caso, o ajuste do silenciador é de novo manual. “**ASC**” desaparece do display.

b) **Silenciador MANUAL**

Rode o botão de **SQ (2)** no sentido dos ponteiros do relógio até ao ponto exato onde todos os ruídos de fundo desaparecem. É uma configuração que tem de ser feita de forma precisa, como colocado em posição alta na direção dos ponteiros do relógio, apenas o sinal mais forte pode ser recebido.

3) **DISPLAY**

Permite visualizar o conjunto das funções:



O gráfico de barras indica o nível de recepção e o nível da potência emitida.

4) **SELETOR DE CANAIS ▲ ~ NÍVEL DO TALKBACK ▲ ~**

•SWR

SELETOR DE CANAIS ▲ no rádio (pressão breve)

A tecla **▲ (4)** permite avançar de um canal. Um bipe é emitido em cada mudança de canal se a função **KEY**

BEEP estiver ativada (ver função **KEY BEEP** página 53).

A tecla **UP (14)** tem a mesma função.

NÍVEL DO TALKBACK ▲ (PTT + pressão breve)

A função **TALKBACK** permite escutar no alto-falante do rádio sua própria modulação. A ajuste do nível de volume ativa automaticamente a função. Ver página 54.

Pressione primeiro o pedal **PTT (12)** do microfone seguido da tecla **▲ (4)** para aumentar do nível atual até o nível 9 (máximo). O nível é mostrado no display durante 3 segundos si o pedal **PTT (12)** não for solto.

•SWR (•F/MEM + pressão breve)

Pressione a tecla **•F/MEM (6)** seguido da tecla **▲ (4)** para ativar/desativar a função **SWR**. O nível da ROE é mostrado quando a função é ativa.

5) **SELETOR DE CANAIS ▼ ~ NÍVEL DO TALKBACK ▼ ~** **•LOCAL**

SELETOR DE CANAIS ▼ no rádio (pressão breve)

A tecla **▼ (5)** permite recuar de um canal. Um bipe é emitido em cada mudança de canal se a função **KEY BEEP** estiver ativada (ver função **KEY BEEP** página 53).

A tecla **DN (15)** tem a mesma função.

NÍVEL DO TALKBACK ▼ (PTT + pressão breve)

A função **TALKBACK** permite escutar no alto-falante do rádio sua própria modulação. A ajuste do nível de volume ativa automaticamente a função. Ver página 54.

Pressione primeiro o pedal **PTT (12)** do microfone seguido da tecla **▼ (5)** para aumentar do nível atual até o nível 1 (mínimo). O nível é mostrado no display durante 3 segundos si o pedal **PTT (12)** não for solto.

•**LOCAL** (•F/MEM + pressão breve)

Pressione a tecla •F/MEM (6) seguido da tecla ▼ (5) para ativar/desativar a função **LOCAL**. “**LOCAL**” aparece no display quando a função é ativa.

Esta função permite uma escuta melhor nas comunicações de curta distância. Quando seu interlocutor fica perto, ativar à função **LOCAL** para evitar distorções.

6) •F/MEM ~ DW ~ •COLOR

•F/MEM (pressão breve)

Pressione brevemente esta tecla para entrar no modo **FUNÇÃO**. **F** pisca quando o modo é ativo. **F** desaparece do display depois de 10 segundos si nenhuma outra tecla for pressionada.

Para as memórias, ver § **MEMÓRIA** página 53.

DW (pressão prolongada)

Uma pressão prolongada (1s) permite ativar/desativar a função **DW** (dopla escuta). Quando for ativa, “**DW**” aparece no display. Permite vigiar os canais 9 ou 19 e o canal escolhido. A primeira pressão ativa a função entre o canal 9 e o canal ativo. Uma nova pressão ativa a função entre o canal 19 e o canal ativo. O número do canal escolhido e o canal 9 ou 19 aparecem alternativamente no display. O ícone “**EMG**” (emergência) também aparece no display ao mesmo tempo que o canal 9 ou 19. O canal escolhido pode ser mudado durante o uso da dopla escuta. Une nova pressão prolongada na tecla **DW** (6) desativa a função **DW**.

•**COLOR** (•F/MEM + pressão prolongada)

Pressione brevemente a tecla •F/MEM (6) seguido de uma pressão prolongada na tecla •**COLOR** (6) para alternar a cor do display entre as três cores seguintes:
Verde -> Azul -> Laranja.

7) 9/19 ~ HI-CUT ~ •M3

9/19 (pressão breve)

Pressione a tecla 9/19 para selecionar automaticamente os canais 9 e 19. A primeira pressão ativa o canal 9, a segunda ativa o canal 19. Uma nova pressão volta ao canal em uso. “**EMG**” aparece no display quando o canal 9 ou 19 está ativo.

HI-CUT (pressão prolongada)

Eliminação dos parasitos de alta frequência. Utiliza-se em função das condições de recepção. Uma pressão prolongada ativa o filtro **HI-CUT**, “**HI-CUT**” aparece no display. Uma nova pressão desativa o filtro, “**HI-CUT**” desaparece.

•M3

Ver § **MEMÓRIA** página 53.

8) ANL/NB ~ SCAN ~ •M2

ANL/NB (pressão breve)

ANL/Automatic Noise Limiter. Este filtro permite reduzir o ruído de fundo e alguns parasitos em recepção.

Noise Blanker. Este filtro permite suprimir ruídos de ignição em recepção.

Uma pressão na tecla **ANL/NB** (8) alterna entre as 4 posições seguintes : • ANL e NB **off** • ANL **on** / NB **off** • ANL **off** / NB **on** • ANL e NB **on**.

SCAN

MODO CB

Pressione 1 segundo a tecla **SCAN** (8) para ativar a função **SCAN** (busca de canais CB) em ordem crescente. “**SCAN**” aparece no display. A busca pára assim que um canal estiver ativo. Volta à busca automaticamente 3 segundos

após o fim da emissão se nenhuma tecla for pressionada. A busca volta a funcionar em ordem crescente, pressionando a tecla ▲ (4) ou UP (14) ou em ordem decrescente pressionando a tecla ▼ (5) ou DN (15) .

Durante o scan, pressione a tecla •F/MEM (6) para alternar entre os modos *Scan dos canais* e *Scan das memórias*. Neste modo, *Scan das Memórias*, os canais 9 e 19 e os canais memorizados são escaneados.

O pedal PTT (12) tanto como as teclas 9/19 (7), DW (6) ou SCAN (8) (pressão prolongada) permitem sair da função **SCAN**.

MODO WX

Pressione 1 segundo a tecla **SCAN** (8) para ativar a função **SCAN** (busca de canais meteorológicos) em ordem crescente. “**SCAN**” aparece no display. A busca para assim que um canal estiver ativo. Volta à busca automaticamente 3 segundos após o fim da emissão se nenhuma tecla for pressionada. A busca volta a funcionar em ordem crescente, pressionando a tecla ▲ (4) ou UP (14) ou em ordem decrescente pressionando a tecla ▼ (5) ou DN (15) .

Uma nova pressão larga na tecla **SCAN** (8) desativa a função **SCAN**.

•M2

Ver § **MEMÓRIA** página 53.

9) WX ~ ALERT ~ •M1

WX (MODO METEOROLÓGICO) (pressão breve)

As funções comuns do modo **CB** não são permitidas neste modo. Pressionar uma tecla não autorizada, si a função **KEY BEEP** é ativa, irá emitir um bipe de erro. Pressione a tecla **WX** (9) para ativar modo **WX**. “**DW**” aparece no display.

Pressione novamente esta tecla para desativar a função. “**DW**” desaparece.

O modo **WX** permite escutar os boletins meteorológicos. Quando o modo está ativado, utilize as teclas ▲/▼ (4/5) ou **UP/DN** (14/15) do microfone para procurar, através dos sete canais meteorológicos, qual é o canal que corresponde à sua área.

O display indica o canal escolhido e, se um sinal for recebido, “**WX**” e “**ALERT**” piscam no display.

ALERT (pressão prolongada)

A sirene de alerta é emitida somente nos modos **PA** ou **CB**. Não funciona no modo **WX**.

Pressione durante um segundo a tecla **ALERT** (9) para ativar/desativar a função. Quando a função está ativa e se um sinal for detetado no canal meteorológico ativo, o aparelho emite um som parecido com uma sirene. “**ALERT**” e o canal meteorológico ativo piscam no display. Os modos **CB** ou **PA** são cancelados, o aparelho passa ao modo **WX**.

Durante o sirene de alerta, pressione qualquer tecla para parar o som. “**ALERT**” e o canal meteorológico ativo param de piscar no display.

NOTA: A alerta é emitida somente quando for detectado uma sinal para o canal selecionado. Para que seja efetiva em todos os canais meteorológicos, utilize previamente a função **SCAN** (ver § **SCAN** página 51) no modo **WX**.

•M1

Ver § **MEMÓRIA** página 53.

10) CB/PA ~ LOCK ~ •VOX ~ •VOX SET

CB/PA (pressão breve)

Pressione a tecla **CB/PA** (10) para alternar entre os modos **CB** e **PA**.


MODO PA (megafonia)

Um alto-falante de sonorização externa pode ser conectado ao aparelho pela tomada jack situada na painel traseiro PA.SP. (D). O volume do **PA** ajusta-se com o botão **VOL** (1). “**PA**” aparece no display.

As funções **ROGER**, **SCAN**, **MEM**, e **VOX** não são permitidas neste modo. Se o usuário passar no modo **PA** durante o uso do **SCAN** ou de um canal de emergência **9/19**, estes serão desativados. Da mesma maneira si o modo **WX** for ativo, será cancelado.

A mensagem emitida no microfone será dirigida rumo o alto-falante externo e amplificada. O display indica “**PAon**”, os números indicam o nível da sinal.

LOCK (pressão prolongada)

Permite bloquear todas as teclas na parte frontal. O aparelho emite um sinal sonoro para indicar um erro se uma tecla é usada, enquanto a função **LOCK** estiver ativada. Aperte longamente a tecla **LOCK** (10) pode ativar/desativar a função **LOCK**. Quando a função estiver ativa,  é exibido.

A emissão (microfone ou vox) e recepção permanecem operacionais.

•VOX (•F/MEM + pressão breve)

A função **VOX** permite emitir falando através do microfone de origem (ou micro vox opcional) sem pressionar o botão **PTT** (12). O uso de um micro vox opcional ligado atrás do

equipamento (E) desativa o micro de origem. Pressione uma vez a tecla **•F/MEM** (6) e brevemente a tecla **VOX** (10) para ativar a função **VOX**. O ícone “**VOX**” aparece no display. Uma nova pressão nas teclas **•F/MEM** (6) e **•VOX** (10) desabilita a função. O ícone “**VOX**” desaparece.

•VOX SET (•F/MEM + pressão prolongada)

Pressione a tecla **•F/MEM** (6) por um segundo e a tecla **•VOX** (10) para ativar a função **VOX SET**, ajuste do Vox. Há três configurações possíveis: Sensibilidade (L) / Nível Anti-Vox (A) / Temporização (t). Pressione brevemente a tecla **•VOX** para avançar ao próximo ajuste. O display indica o tipo de ajuste seguido do seu nível.

- Sensibilidade “**L**”: permite ajustar a sensibilidade do micro (de origem ou opcional vox) para qualidade de transmissão ideal. Nível ajustável de **1** (nível alto) a **9** (nível baixo), utilizando as teclas **▲/▼** (4/5) ou **UP/DN** (14/15) do microfone. **L** corresponde ao nível da sensibilidade (Sensibility Level)
- Anti-Vox “**A**”: permite evitar a emissão gerada pelo ruído ambiente. Nível ajustável de **0** (Off) a **9** (nível baixo), utilizando as teclas **▲/▼** (4/5) ou **UP/DN** (14/15) do microfone.. **A** corresponde ao **Anti-Vox** (**Anti-Vox Level**).
- Temporização “**t**”: permite evitar o corte brusco na transmissão juntando um tempo ao final da palavra. Nível ajustável de **1** (tempo curto) a **9** (tempo longo), utilizando as teclas **▲/▼** (4/5) ou **UP/DN** (14/15) do microfone. **t** corresponde ao atraso de tempo (Delay Time).

Após ajustes, aperte brevemente a tecla **•F/MEM** (6) para sair do modo **VOX SET**.

Efetuar os ajustes, ativa automaticamente a função **VOX** e “**VOX**” aparece no display.

11) TOMADA DE 6 PINOS DO MICROFONE

Ele está localizado na parte frontal do aparelho, facilitando assim a sua integração a bordo do veículo. *Veja o esquema de ligação na página 60*

12) PTT

Alavanca, patilha ou botão de emissão. Pressione para falar, o display mostra **TX**. Solte para passar à recepção e receber uma mensagem.

14) SELETOR DE CANAIS UP no microfone

A tecla **UP (14)** permite avançar de um canal. Um bipe é emitido em cada mudança de canal se a função **KEY BEEP** estiver ativada (*ver função KEY BEEP página 53*).

Pode-se também utilizar a tecla **▲ (4)** no rádio.

15) SELETOR DE CANAIS DN no microfone

A tecla **DN (14)** permite recuar de um canal. Um bipe é emitido em cada mudança de canal se a função **KEY BEEP** estiver ativada (*ver função KEY BEEP página 53*).

Pode-se também utilizar a tecla **▼ (5)** no rádio.

ROGER BEEP

Ligue o rádio mantendo a tecla **▲ (4)** ou **UP (14)** no microfone pressionada para ativar a função **ROGER BEEP**. Um bipe é emitido si a função **KEY BEEP** é ativa.

Aparece o ícone “**♪**” no display quando a função é ativada. O **Roger Beep** emite um bipe quando o pedal do micro **PTT (13)** é solto para deixar a palavra ao chamador. Historicamente, o CB é o modo de comunicação “simplex”, ou seja, não é possível falar e ouvir ao mesmo tempo (como no caso do telefone, por exemplo), era costume de dizer “Roger” quando eles tinham acabado de falar para avisar o interlocutor que poderia falar. A palavra “Roger” foi substituída por um bipe significativo, daí o nome “Roger Beep”.

Nota: O **Roger Beep** também é ouvido no alto-falante, se a função **KEY BEEP** for ativada. Senão, somente o chamador pode ouvir o aviso sonoro.

No modo **PA**, esta função não é autorizada.

KEY BEEP

Bipe pressionando *botões, mudança de canal, etc.*
Ligue o rádio mantendo a tecla **▼ (5)** ou **DN (15)** no microfone pressionada para ativar a função **KEY BEEP**. Um bipe é emitido, “**BP**” aparece no display. Use o mesmo procedimento para desativar a função.

MEMÓRIA

O rádio permite memorizar três canais com os atributos seguintes : ANL (on/off), NB (on/off), HI-CUT (on/off).

Chamar uma memória: (*pressão breve*)

- Pressione brevemente a tecla **•F/MEM**. Si a função **KEY BEEP** for ativa, um bipe curto é emitido.
- Pressione brevemente uma das teclas **•M1 (9)**, **•M2 (8)** ou **•M3 (7)** para chamar a memória selecionada.
- “**MEM**” e o número da memória (**1, 2** ou **3**) aparecem no display.

Para armazenar uma memória: (*pressão prolongada*)

- Selecione o canal que você deseja armazenar.
- Pressione brevemente a tecla **•F/MEM**.
- Pressione durante uma das teclas **•M1 (9)**, **•M2 (8)** ou **•M3 (7)**. “**MEM**” aparece no display.
- Si a função **KEY BEEP** for ativa, um bipe longo confirma a memorização do canal selecionado.

Apagar a memória

- Desligue o rádio
- Segure uma das teclas **•M1 (9)**, **•M2 (8)** ou **•M3 (7)** e ligue o aparelho. A memória selecionada é removida. “**MEM**” desaparece do display.

FUNÇÃO TALKBACK (PTT + •F/MEM)

Pressione primeiro o pedal **PTT (12)** seguido da tecla **•F/MEM (6)** para ativar/desativar a função **TALKBACK**. Quando a função é ativa, **“TALKBACK”** aparece no display.

TOT (Time Out Timer) / TEMPORIZADOR DE EMISSÃO

Se a emissão (**PTT** ou **VOX**) demora por mais de 5 minutos, o aparelho deixa de transmitir, piscando no display o canal e **TX**. Um bipe é emitido até soltar o botão **PTT (12)**.

A) ALIMENTAÇÃO (13,8 V / 27,6 V)

B) CONECTOR DE ANTENA (SO-239)

C) TOMADA ALTO-FALANTE EXTERIOR (8 Ω , Ø 3.5 mm)

D) TOMADA ALTO-FALANTE PA EXTERIOR (8 Ω , Ø 3.5 mm)

E) MICROFONE VOX OPCIONAL (Ø 2,5 mm)

C) CARACTERÍSTICAS TÉCNICAS

1) GERAL

- Canais : 40
- Modos de Modulação : AM
- Faixa de frequência : 26,965 MHz a 27,405 MHz
- Canais meteorológicos : 162,400 MHz a 162,550 MHz
- Impedância da Antena : 50 ohms
- Tensão de alimentação : 13,8 V / 27,6 V
- Dimensões (L x P x A) : 6,69 x 5,91 x 2,05 polegadas
170 x 150 x 52 mm
- Peso : 2,20 lbs / 1 kg
- Acessórios incluídos : Microfone Electret ultra leve e seu suporte, 1 suporte de montagem, parafusos

2) EMISSÃO

- Tolerância de frequência : +/- 200 Hz
- Potência portadora : 4 W (constante)
- Interferência : inferior a -60 dBc
- Resposta de frequência : 300 Hz a 3 KHz
- Potência emissão em canal adjacente : Menos de 20 µW
- Sensibilidade do microfone : 3 mV
- Consumo de energia : 2 A (com modulação)
- Distorção máx. do sinal modulado : 1,8 %

3) RECEPÇÃO

- Sensibilidade máxima a 10 dB (S+N)/N : 0,6 µV - 113 dBm
- Resposta de frequência : 300 Hz a 3 KHz
- Sensibilidade do canal adjacente : > 60 dB
- Potência Áudio Max : 2 W
- Sensibilidade do silenciador (squelch) : mín. 0,2 µV- 120 dBm
máx. 1 mV - 47 dBm
- Taxa de rejeição
Frequência imagem : 60 dB
- Taxa de rejeição Freq. intermediária : 70 dB
- Consumo : 300 mA nominal / 1050 mA máximo

D) GUIA DE PROBLEMAS

1) O EQUIPAMENTO NÃO TRANSMITE OU A TRANSMISSÃO É DE MÁ QUALIDADE

Verifique se:

- A antena está ligada corretamente e a ROE está bem ajustada.
- O microfone está ligado corretamente.

2) O EQUIPAMENTO NÃO RECEBE OU A SUA RECEPÇÃO É DE MÁ QUALIDADE

Verifique se:

- A função **LOCAL** não seja ativada.
- O nível do silenciador está definido corretamente.
- O botão de volume (1) esteja ajustado para um nível adequado.
- A antena esteja ligada corretamente e a ROE seja bem ajustada.

3) O EQUIPAMENTO NÃO ACENDE

- Verifique a fonte de alimentação.
- Verifique se não há inversão nos fios ao nível da junção.
- Verifique o fusível.

E) COMO TRANSMITIR OU RECEBER UMA MENSAGEM

Agora que você já leu as instruções, irá garantir que a sua estação está pronta para uso (antena ligada). Você pode pressionar o botão de emissão do microfone, e começar a mensagem "atenção emissoras, ensaio de emissora", a mensagem que lhe permite verificar a clareza e a potência do seu sinal e esperar por uma resposta tipo "alta e clara a estação."

Solte a patilha e espere por uma resposta. Se você usar um canal de chamada (19), e a comunicação for estabelecida, deve-se escolher um outro canal disponível para desobstruir o canal de chamada.

F) GLOSSÁRIO

Ao usar o seu rádio, você vai descobrir uma linguagem particular usado por alguns cebeístas. Para ajudá-lo a entender melhor, nós damos no léxico e o código "Q", um resumo das palavras usadas. No entanto, é evidente que uma linguagem clara e precisa facilitará os contatos entre os radioamadores. Portanto, as palavras listadas abaixo são apenas indicativos, e não devem ser utilizadas formalmente.

ALFABETO FONÉTICO INTERNACIONAL

A Alpha	H Hotel	O Oscar	V Victor
B Bravo	I India	P Papa	W Whiskey
C Charlie	J Juliett	Q Quebec	X X-ray
D Delta	K Kilo	R Romeo	Y Yankee
E Echo	L Lima	S Sierra	Z Zulu
F Foxtrott	M Mike	T Tango	
G Golf	N November	U Uniform	

GÍRIAS CEBEÍSTAS

ALPHA LIMA	: Amplificador Linear
LAC	: Posição CB
BASE	: Base Station
BREAK	: Pedido urgente para entrar, interrompendo
CANA DE PESCA	: antena
CHEERIO POR	: Adeus
NÚMERO CIDADE	: Código postal
COPIAR	: Escutar, captar, receber

FIXO MÓVEL : Estação Móvel preso
 FB : Negócio fino (bom, excelente)
 ABAIXO : Canais 40 canais abaixo do
 autorizado
 MAYDAY : Chamada de socorro
 MIKE : Micro
 MÓVEL : Estação Móvel
 NEGATIVO : Não
 OM : Operador de rádio
 MIC : Micro
 TOP : Rádios com canais acima dos 40
 permitidos
 TIA VITÓRIA : Televisão
 PRÉ : Amplificador de recepção de antena
 MACACO PRETO : Telefone
 TVI : Interferência TV
 VISTA : Vendo
 VX : Velhos amigos
 WHISKY : Watts
 WX : Tempo
 XYL : A esposa do operador
 YL : Operador de rádio
 51 : Aperto de mão
 73 : Amizades
 88 : Amor e beijos
 99 : Identificar a frequência
 144 : Polarização Horizontal, ir para a cama
 318 : Pipi
 600 ohms : o telefone
 813 : líquido gástrico (aperitivo)
 A. L. : Amplificador Linear
 Harmônicos : Filhos
 AVE-MARIA : AM Amplitude de modulação
 BARBAS : canais de interferência próximos

BARRA MÓVEL : Estação de movimento
 BASE : Estação fixa
 BIGOTADA : reunião de fã
 BREAK : Pedido de transmissão ou de entrada
 BREAKER : O que interrompe
 CAIXA PARVA : TV
 CATRACA : Amplificador Linear
 CORTINA : Ouvinte
 FEIXE DA ANTENA : Comunicação em CB
 DOIS METROS : A cama
 HORIZONTAIS :
 ACENDER :
 FILAMENTOS : Ligar o equipamento de rádio CB
 ESPIRAS : Idade do operador
 FOTOCÓPIA : o irmão / irmã
 FREQUÊNCIA : Megahertz correspondente ao canal
 QSJ : Dinheiro expresso normalmente em
 mil
 LABORO : Trabalho, ocupação
 TIJOLO : Emissora de 27 MHz
 LINHA DE BAIXA
 FREQUÊNCIA
 OU LINHA DE 500 : Telefone
 MODULAR : Falar emitindo
 O.K. : Conforme, de acordo com
 OKAPA : Conforme
 P.A. : Sistema de PA, megafonia
 TABLET : Microfone
 P. O. BOX : Caixa postal
 PRIMEIRÍSSIMOS : País
 PONTINHO : Local
 PONTOS VERDES : Guarda Civil, QRM 22
 RX : Receptor
 SAXO : Marido, Namorada

SECRETÁRIA	: Amplificador Linear
TRASMATA	: Ouvinte
TX	: Transmissor
VERTICAL	: Encontrar-se pessoalmente
VIA BAIXA	: Telefone
VITAMINAR-SE	: alimentar-se, comer
WHISKIES	: Watts
BOTAS	: Amplificador Linear
33	: Saudações amigáveis
55	: Muito sucesso

CÓDIGO Q

QRA	: Nome da estação ou do operador
QRB	: A distância aproximada em linha reta entre duas estações
QRG	: Frequência atual
QRI	: Tonalidade de uma emissão valorizada de 1 a 3
QRK	: legibilidade, compreensibilidade de um sinal. Em CB, Rádio valorizado de 1 a 5
QRL	: Estar ocupado, a trabalhar
QRM	: Interferência, avaliado de 1 a 5
QRO	: Aumentar a potência do transmissor
QRP	: reduzir a potência do transmissor
QRT	: cessar a emissão
QRV	: Estar preparado, pronto
QRX	: Cita para transmitir. No CB, " continue a ouvir"
QRY	: Turno para transmitir
QRZ	: Nome da estação chamadora. No CB, "Esteja a ouvir"
QSA	: força de um sinal. Em CB Santiago. Classificação de 1 a 9
QSB	: As variações na intensidade do sinal. Desvanecimento. Classificação de 1 a 5
QSL	: Reconhecimento. Cartão confirmando comunicação

QSO	: Pedido de comunicação. Em CB, também, a comunicação direta entre duas ou mais estações
QSP	: Retransmissão através de estação ponte
QSY	: Passar a transmitir em outra frequência ou canal
QTC	: Mensagem a ser transmitida
QTH	: Localização geográfica da estação
QTR	: Hora atual
QUT	: Localização geográfica do acidente ou incidente

NOTA: O código Q é a fusão das duas definições, como pergunta e resposta, é uma única definição aceite em CB.

CONDIÇÕES GERAIS DE GARANTIA

Este aparelho tem uma garantia de **2 anos** para peças e mão de obra no país de compra, contra qualquer defeito de fabricação reconhecido pelo nosso departamento técnico. O laboratório de SPV PRESIDENT reserva-se o direito de não aplicar a garantia em caso de dano que tenha sido causado por uma antena não distribuída pela marca PRESIDENT. Uma garantia estendida de **3 anos** será aplicada para a compra simultânea de um aparelho e de uma antena da marca PRESIDENT, aumentando a garantia total de **5 anos**. Para validar sua garantia, efetue a inscrição on-line no site PRESIDENT ELECTRONICS, www.president-electronics.us/warranty-registration no prazo de 30 dias a partir da data da compra. Você também pode acessar a página de registro de garantia usando seu smartphone para ler (o aplicativo deve estar disponível) o código QR no cartão de garantia em anexo. Você receberá um e-mail de confirmação da inscrição de garantia. Recomendamos que você guarde uma cópia deste e-mail.

Qualquer reparo sob garantia será sem carga e os custos de entrega de retorno serão suportados por PRESIDENT. A prova de compra deve imperativamente estar junta em caso do retorno de um produto a ser reparado. As datas da inscrição e da prova de compra devem corresponder.

No caso em que a intervenção não é coberta pela garantia serão faturados as peças, a mão de obra e os custos de transporte.

Nenhuma peça de reposição será enviada, pelo nosso departamento técnico, com base na garantia.

Não prossiga com a instalação do dispositivo sem ler o manual do usuário.

A garantia é válida somente no país de compra.

Esta garantia não cobre:

- Os danos provocados por acidentes tais como choques, quedas, incêndios ou embalagens defeituosas, negligência, ou manutenção inadequada.
- O desgaste normal de um produto (transistores de potência, microfones, luzes, fusíveis), o uso indevido (incluindo mas não se limitando à antena mal ajustada, SWR [relação de ondas estacionárias] excessiva ou muito grande, [superior a 2], inversão de polaridade, ligações erradas, sobretensão, etc.), a não observância das características de instalação e uso.

- A garantia não pode ser estendida devido à indisponibilidade do aparelho enquanto ele está sendo reparado pelo SPV PRESIDENT, nem por a troca de um ou mais componentes ou peças de reposição.
- Os reparos e/ou modificações feitas por terceiros sem a aprovação da empresa PRESIDENT.

Se você observar falhas de funcionamento:

- Verifique a fonte de alimentação do aparelho e a qualidade do fusível.
- Verifique se a antena, o microfone estão corretamente conectados.
- Verifique se o nível do silenciador squelch está devidamente ajustado; a configuração programada é a correta.
- Verifique os fios dos vários conectores, tomadas de antena, microfone e fonte de alimentação.
- Em caso de um real mau funcionamento, consulte primeiro seu provedor. Ele decidirá que medidas devem ser tomadas.

No caso de uma intervenção não coberta pela garantia ou fora do prazo, você ainda terá possibilidade de fazer inspecionar ou reparar o seu aparelho. Uma estimativa será estabelecida antes de qualquer reparo.

Você confiou na experiência e na qualidade da PRESIDENT e nós apreciamos isso. Para estar completamente satisfeito com a sua compra, por favor leia atentamente este manual.

A Direção Técnica

e

O Departamento de Qualidade



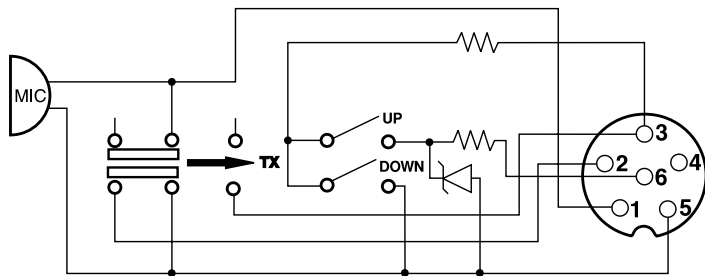
CHANNEL FREQUENCY TABLE
TABLEAU DES FRÉQUENCES
TABLA DE FRECUENCIAS
TABELA DE FREQUÊNCIAS

Channel N° du canal N° Canal N° Canal	Frequency Fréquences Frecuencia Frequência	Channel N° du canal N° Canal N° Canal	Frequency Fréquences Frecuencia Frequência
1	26,965 MHz	21	27,215 MHz
2	26,975 MHz	22	27,225 MHz
3	26,985 MHz	23	27,255 MHz
4	27,005 MHz	24	27,235 MHz
5	27,015 MHz	25	27,245 MHz
6	27,025 MHz	26	27,265 MHz
7	27,035 MHz	27	27,275 MHz
8	27,055 MHz	28	27,285 MHz
9	27,065 MHz	29	27,295 MHz
10	27,075 MHz	30	27,305 MHz
11	27,085 MHz	31	27,315 MHz
12	27,105 MHz	32	27,325 MHz
13	27,115 MHz	33	27,335 MHz
14	27,125 MHz	34	27,345 MHz
15	27,135 MHz	35	27,355 MHz
16	27,155 MHz	36	27,365 MHz
17	27,165 MHz	37	27,375 MHz
18	27,175 MHz	38	27,385 MHz
19	27,185 MHz	39	27,395 MHz
20	27,205 MHz	40	27,405 MHz

WEATHER FREQUENCY TABLE
TABLEAU DES FRÉQUENCES MÉTÉO
TABLA DE FRECUENCIAS METEOROLÓGICAS
TABELA DE FREQUÊNCIAS METEOROLÓGICAS

Channel N° du canal N° Canal N° Canal	Frequency Fréquences Frecuencia Frequência
1	162,550 MHz
2	162,400 MHz
3	162,475 MHz
4	162,425 MHz
5	162,450 MHz
6	162,500 MHz
7	162,525 MHz

**6-PIN MICROPHONE PLUG
PRISE MICRO 6 BROCHES
TOMA DE MICRO DE 6 CONTACTOS
TOMADA DE MICROFONE DE 6 PINOS**



1	Modulation	Modulation	Modulación	Modulação
2	RX	RX	RX	RX
3	TX - UP/DOWN	TX - UP/DOWN	TX - UP/DOWN	TX - UP/DOWN
4	-	-	-	-
5	Ground	Masse	Masa	Terra
6	Power Supply	Alimentation	Alimentación	Alimentação

Group
PRESIDENT
ELECTRONICS USA



HEAD OFFICE/SIÈGE SOCIAL: USA - 1007 Collier Center Way, Naples, Florida 34110
Web: <http://www.president-electronics.us> • Phone: +1 239.302.3100
Email: info@president-electronics.us

PRINTED IN VIETNAM

U01UT412ZZZ(0)

1707_V1.01/11-15

PRESIDENT