

RadioShack

Deluxe Chrome-Faced 40-Channel Mobile CB with Weather Alert

21-1576

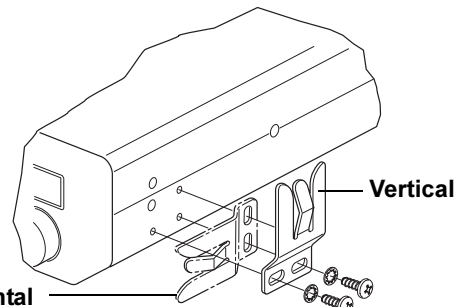
Quick Start Guide

for installing, setting up and using your new product

Step One

Attach the Microphone Holder

You can attach the microphone holder horizontally or vertically to either side of the CB.



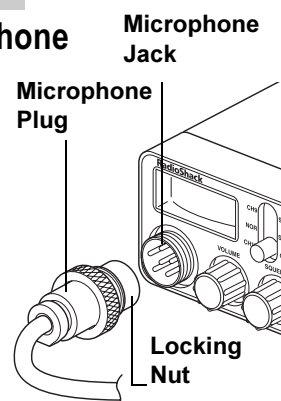
To attach the microphone holder somewhere else, follow these steps.

1. Use the microphone holder as a template to mark the positions for the mounting screws at the desired mounting location.
2. Drill a hole at the marked position. Do not drill into anything behind the mounting surface.
3. Attach the microphone holder to the mounting surface using the supplied (small) machine screws and lockwashers.

Step Two

Connect the Microphone

1. Align the holes inside the microphone's plug with the pins in the microphone jack and insert the plug.
2. Turn the microphone plug's locking nut clockwise to secure it.
3. Slide the microphone into the holder.
4. To disconnect the microphone, unscrew the locking nut and pull the microphone plug toward you. Do not pull the microphone cable.



CH9/NOR/CH19 — Slide to **CH9** or **CH19** to quickly tune to either emergency broadcast station when in CB mode. Slide to **NOR** to use normal (manual) tuning. *See Page 6.*

OFF/VOLUME — Rotate towards **VOLUME** to turn on your CB, and then adjust the listening level. Rotate towards **OFF** to turn off your CB.

Signal Meter — Shows signal strength and standing wave ratio measurements. *See Page 7.*

PTT — Push to talk. Hold down and talk into the microphone while transmitting.

Microphone Jack

Step Three

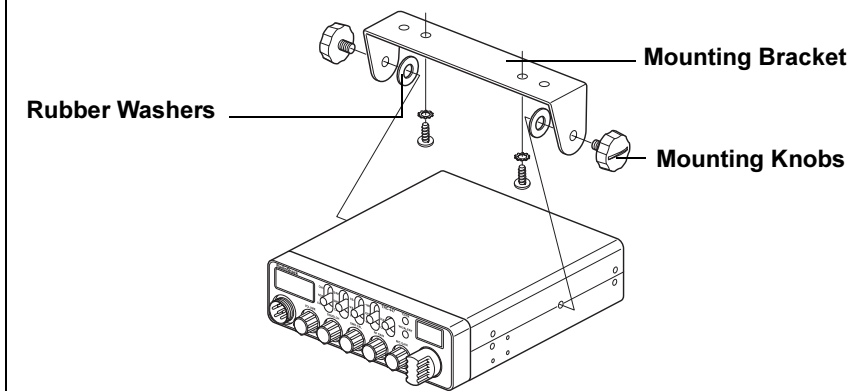
Mount the CB

Find a convenient location in your vehicle to mount your CB. If you are uncomfortable mounting the CB yourself, consult your vehicle service center or automotive dealer for assistance. ⚠

Select a mounting location where:

- you can easily reach the CB.
- wires and cables are clear of the vehicle's pedals or other moving parts.
- the CB is not directly in front of heating vents.
- all wires and cables can reach their connection points.

1. Use the mounting bracket as a template to mark the positions for the screws on the mounting surface.
2. At the marked positions, drill a hole slightly smaller than the mounting screws. Do not drill into objects behind the mounting surface.
3. Secure the mounting bracket to the mounting surface with the supplied screws and lockwashers.



4. Attach the CB to the mounting bracket with the supplied rubber washers and mounting knobs.



WARNING

Mount the CB securely to avoid damage to the CB or vehicle, and to avoid injury to anyone in the vehicle during sudden starts or stops.

S/R/F/SWR/CAL — Slide to **S/R/F**, **SWR**, or **CAL** to define what information appears on the signal meter. *See Page 6.*

CB/WX/PA — Slide to **CB** to use and listen to citizen's band radio. Slide to **WX** to listen to local and national weather broadcasts. Slide to **PA** to use the public address function. *See Page 7.*

NB/OFF/MON — Slide to **NB (Noise Blanking)** to reduce atmospheric and ignition noise. Slide to **OFF** to deactivate noiseblanking. Slide to **MON** while in PA mode to monitor CB channels or WX alerts. *See Page 10.*

DUAL/OFF — Slide to **DUAL** to monitor Channel 9 while in CB mode. Slide to **OFF** to stop monitoring. *See Page 7.*

MIC GAIN — Rotate to adjust microphone sensitivity. *See Page 7/13.*

Rotate to tune to a channel.

RF GAIN — Rotate to adjust reception to match signal strength. *See Page 6.*

SWR CAL — Rotate and hold down **PTT** to match your antenna system characteristics with RF output power. *See Page 10.*

SQUELCH — Rotate to reduce background noise (CB sensitivity). *See Page 6.*

Microphone with Coiled Cord

Supplied mounting hardware

Mounting Bracket

DC Cable

Microphone Holder

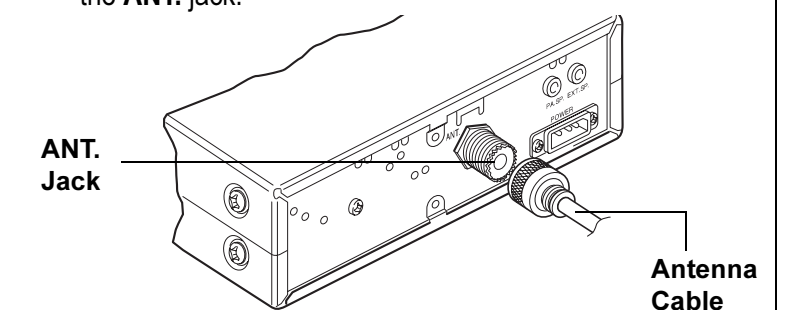
Step Four

Connect an Antenna

There are many different types of antennas for mobile CBs. Each type has its own benefits, so choose the one that best meets your needs. Your local RadioShack sells a wide variety of antennas. When choosing an antenna, keep in mind that for the best performance you should mount the antenna:

- as high as possible in the vehicle.
- as far as possible from sources of electrical noise.
- vertically.

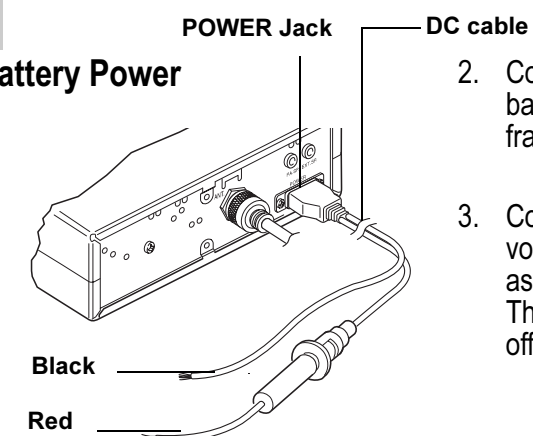
1. Follow the antenna's mounting instructions.
2. Route the antenna cable to the CB radio and connect it to the **ANT.** jack.



Step Five

Connect to Vehicle Battery Power

1. Connect the supplied DC cable to the radio's **POWER** jack as shown.

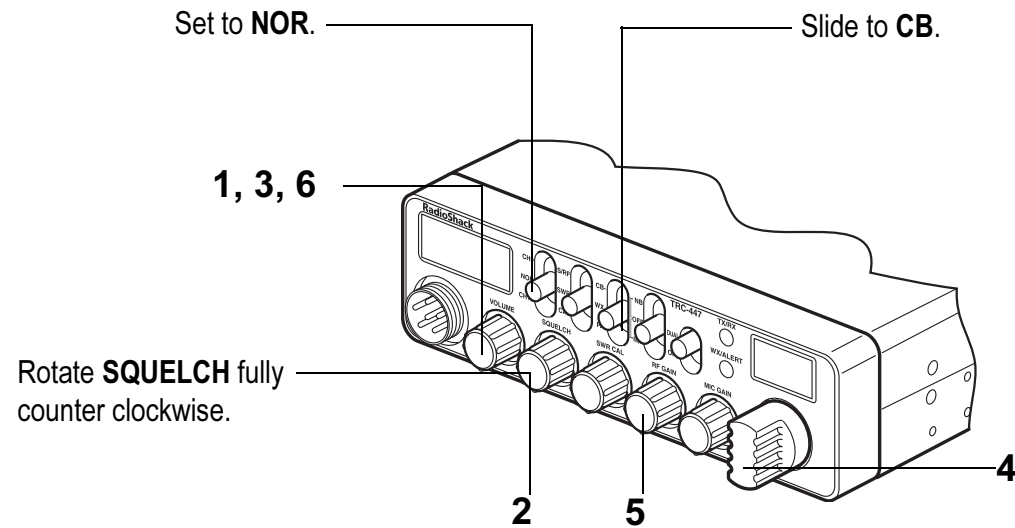


2. Connect the cable's black wire to your vehicle's negative battery terminal (-), or to a metal part of the vehicle's frame that is not insulated by a plastic part.
3. Connect the red wire (with in-line fuse) to a source of voltage that turns on and off with the ignition switch, such as a spare accessory terminal in your vehicle's fuse box. This assures you that the CB is turned off when you turn off the ignition.

Step Six

Receiving

Before trying to receive (listen) on CB channels, adjust your CB to the following settings:

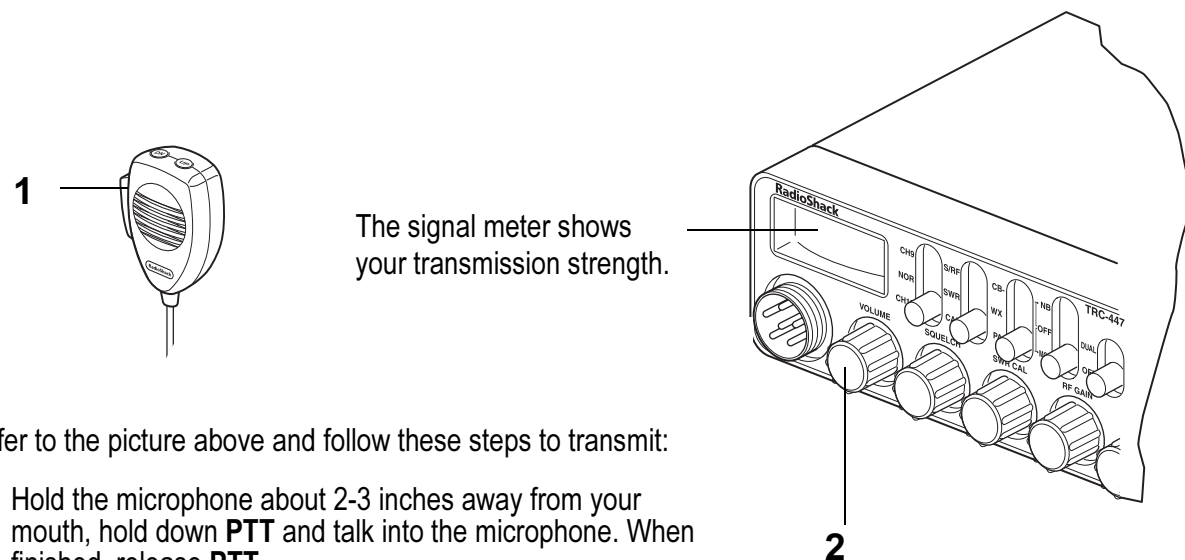


Refer to the picture above and follow these steps to receive:

1. Rotate **OFF/VOLUME** clockwise to turn on the CB.
2. To decrease CB sensitivity, slowly rotate **SQUELCH** clockwise until the hissing sound stops. To increase sensitivity, rotate **SQUELCH** counterclockwise.
3. Adjust **VOLUME** to a comfortable listening level.
4. Rotate channel knob to tune to a channel.
5. If necessary, rotate **RF GAIN** clockwise to boost signal strength.
6. Rotate **OFF/VOLUME** counterclockwise to turn off the CB.

Transmitting

Before transmitting, first make sure you can receive CB channels. Then, adjust your CB as follows:



Refer to the picture above and follow these steps to transmit:

1. Hold the microphone about 2-3 inches away from your mouth, hold down **PTT** and talk into the microphone. When finished, release **PTT**.
2. Rotate **OFF/VOLUME** counterclockwise to turn off the CB.

Step Seven

Listening to Weather Broadcasts

The National Oceanic and Atmospheric Administration (NOAA) broadcasts local forecast and regional weather information on one or more of seven channels in the US. Your CB is preprogrammed with all seven frequencies.

Channel	Frequency (MHz)
WX1	162.400
WX2	162.425
WX3	162.450
WX4	162.475
WX5	162.500
WX6	162.525
WX7	162.550

To listen to a weather broadcast, slide **CB/WX/PA** to **WX**. Rotate **CHANNEL** to select a frequency.

Usage Tips

- To prevent damage to your CB, do not attempt to transmit without an antenna attached.
- Only rotate **SQUELCH** until the hissing stops. If you continue to rotate it clockwise, you will be unable to receive any signals.
- Always give emergency communications priority on Channels 9 and 19. Channels 9 and 19 are reserved for motorist assistance and for reporting emergency situations, hazardous road conditions, and so forth.
- The radio sounds a weather alert regardless of the channel setting.
- The CB will not sound a weather alert while you are transmitting.
- If you are in a rural or fringe area, your radio might be triggered by an alert broadcast in one area, but not be triggered if you travel to another area (even close by).

Accessories

Depending on how and where you plan to use your CB radio, the following accessories can be used with your CB radio for enhanced functionality and power. Visit your local RadioShack store for a variety of CB accessories.

CB Antenna *PA Speaker*
12V DC Power Supply *Base Station Antenna*
Coaxial Antenna Cable and Connectors
2-Amp Glass Fuse (for fuse replacement)

Common 10-Codes

The following codes are used for CB user communication.

Code	Frequency	Code	Frequency
10-1	Receiving poorly.	10-21	Call by telephone.
10-2	Receiving well.	10-22	Report in person to ____.
10-3	Stop transmitting.	10-23	Please stand by.
10-4	OK, message received.	10-25	Can you contact ____.
10-5	Relay message.	10-26	Disregard last information.
10-6	Busy, please stand by.	10-27	I am moving to channel ____.
10-7	Out of service.	10-28	Identify your station.
10-8	In service	10-32	I will give you a radio check.
10-9	Repeat message.	10-33	Emergency traffic.
10-10	Transmission completed, standing by.	10-36	Correct time is ____.
10-11	Talking too rapidly.	10-37	Wrecker needed at ____.
10-12	Visitors present.	10-38	Ambulance needed at ____.
10-13	Advise Weather/Road conditions.	10-41	Please turn to channel ____.
10-17	Urgent business.	10-42	Traffic accident at ____.
10-18	Anything for us?	10-43	Traffic tie-up at ____.
10-19	Nothing for you. Return to base.	10-50	Break channel.
10-20	My location is ____.	10-62	Unable to copy; use telephone.
		10-70	Fire at ____.

Limited 90-Day Warranty

This product is warranted by RadioShack against manufacturing defects in material and workmanship under normal use for ninety (90) days from the date of purchase from RadioShack company-owned stores and authorized RadioShack franchisees and dealers. EXCEPT AS PROVIDED HEREIN, RadioShack MAKES NO EXPRESS WARRANTIES AND ANY IMPLIED WARRANTIES, INCLUDING THOSE OF MERCHANTABILITY AND FITNESS FOR A PARTICULAR PURPOSE, ARE LIMITED IN DURATION TO THE DURATION OF THE WRITTEN LIMITED WARRANTIES CONTAINED HEREIN. EXCEPT AS PROVIDED HEREIN, RadioShack SHALL HAVE NO LIABILITY OR RESPONSIBILITY TO CUSTOMER OR ANY OTHER PERSON OR ENTITY WITH RESPECT TO ANY LIABILITY, LOSS OR DAMAGE CAUSED DIRECTLY OR INDIRECTLY BY USE OR PERFORMANCE OF THE PRODUCT OR ARISING OUT OF ANY BREACH OF THIS WARRANTY, INCLUDING, BUT NOT LIMITED TO, ANY DAMAGES RESULTING FROM INCONVENIENCE, LOSS OF TIME, DATA, PROPERTY, REVENUE, OR PROFIT OR ANY INDIRECT, SPECIAL, INCIDENTAL, OR CONSEQUENTIAL DAMAGES, EVEN IF RadioShack HAS BEEN ADVISED OF THE POSSIBILITY OF SUCH DAMAGES.

Some states do not allow limitations on how long an implied warranty lasts or the exclusion or limitation of incidental or consequential damages, so the above limitations or exclusions may not apply to you.

In the event of a product defect during the warranty period, take the product and the RadioShack sales receipt as proof of purchase date to any RadioShack store. RadioShack will, at its option, unless otherwise provided by law: (a) correct the defect by product repair without charge for parts and labor; (b) replace the product with one of the same or similar design; or (c) refund the purchase price. All replaced parts and products, and products on which a refund is made, become the property of RadioShack. New or reconditioned parts and products may be used in the performance of warranty service. Repaired or replaced parts and products are warranted for the remainder of the original warranty period. You will be charged for repair or replacement of the product made after the expiration of the warranty period.

This warranty does not cover: (a) damage or failure caused by or attributable to acts of God, abuse, accident, misuse, improper or abnormal usage, failure to follow instructions, improper installation or maintenance, alteration, lightning or other incidence of excess voltage or current; (b) any repairs other than those provided by a RadioShack Authorized Service Facility; (c) consumables such as fuses or batteries; (d) cosmetic damage; (e) transportation, shipping or insurance costs; or (f) costs of product removal, installation, set-up service adjustment or reinstallation.

This warranty gives you specific legal rights, and you may also have other rights which vary from state to state

RadioShack Customer Relations, 200 Taylor Street, 6th Floor, Fort Worth, TX 76102

12/99