

# SoonTone<sup>®</sup> ST-108 PREMIUM MOBILE CB RADIO



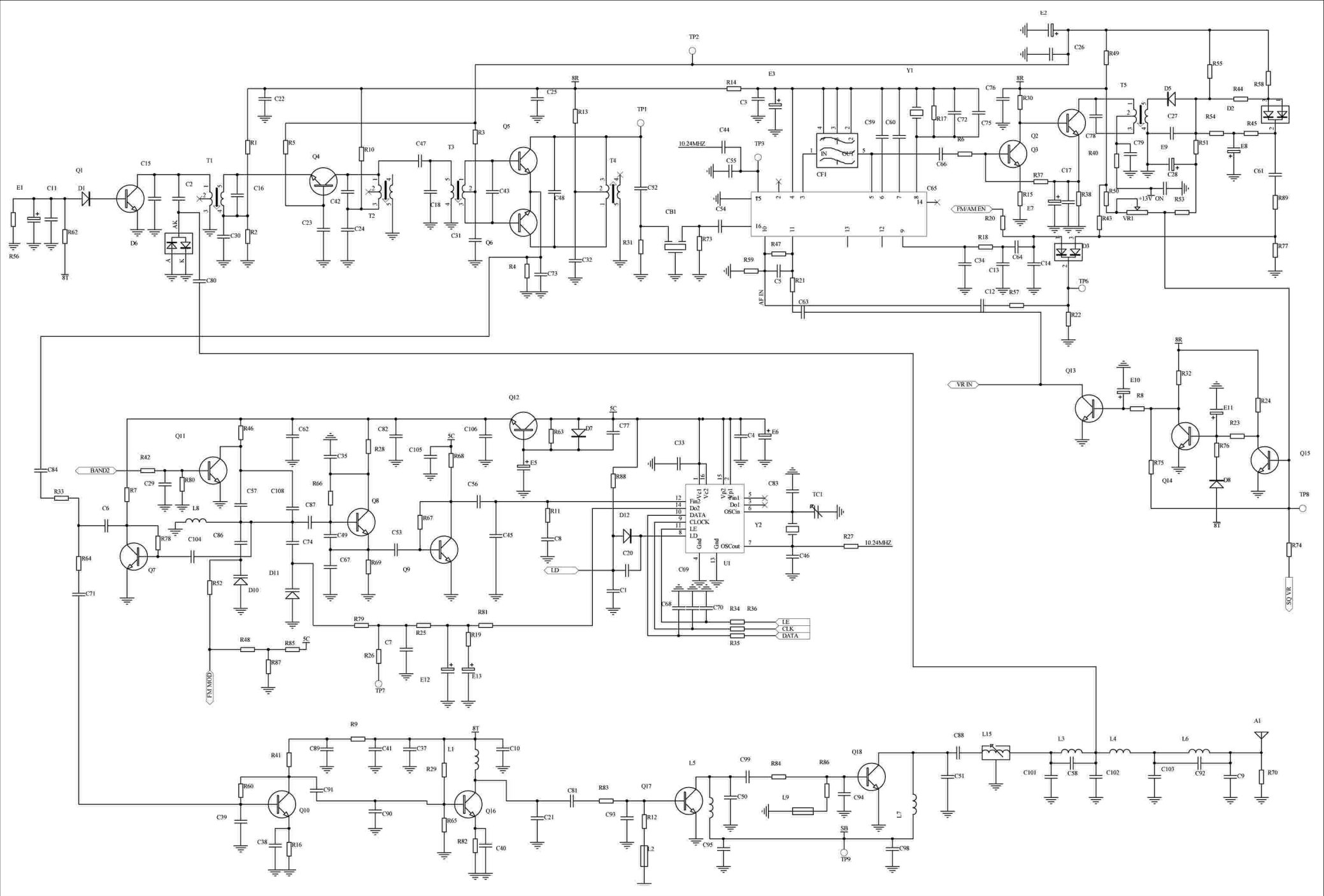
*Win-Win*

**PG** POCC MY.MJ10.B01999



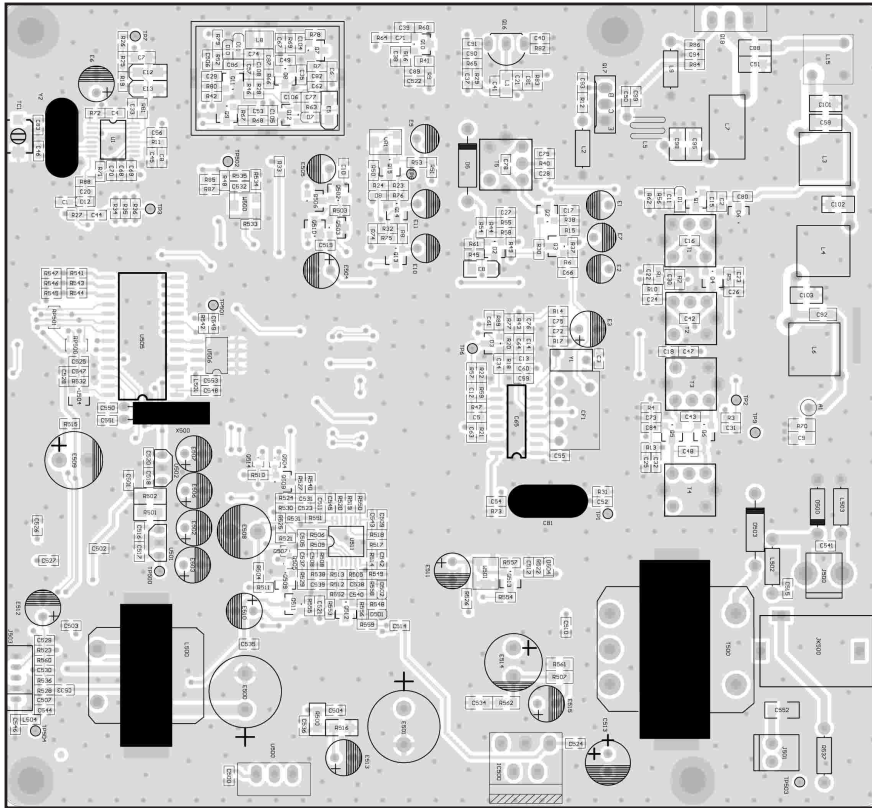
## Service Manual

# RF CIRCUIT

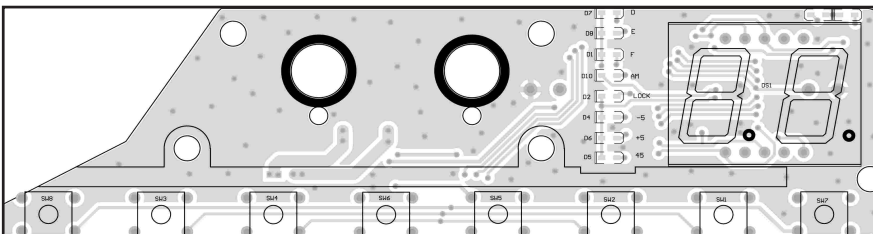




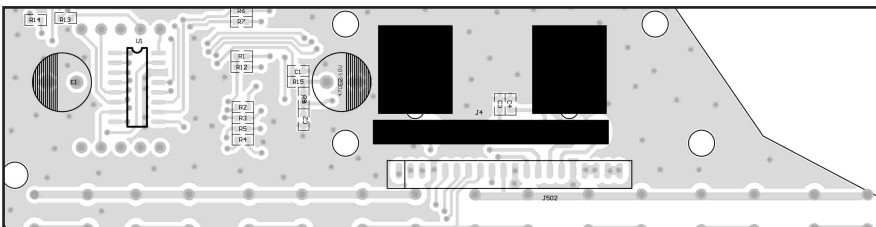
## RF BOARD



## FACADE OF LCD



## INVERSE OF LCD



# ST-108 AUTO MOBILE CB RADIO

We sincerely hope that this manual can bring you convenience!  
With the development of the technology and the lapse of time, we reserve the right of revision in terms of the standard, technical requirement and all kinds of product specifications referred to in this manual. Please understand if not keeping you informed of the new information.



*Your need  
is our service purpose!*

# ST-108 AUTO

## MOBILE CB RADIO

### SPECIFIC FUNCTIONS(E market only)

## SPREAD FUNCTION

**Conventional Mode:** Radio works only at E band.

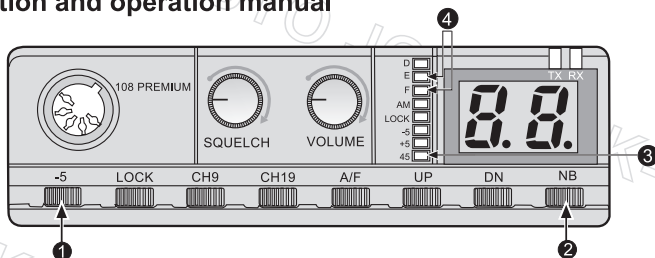
**Spread Mode:** Radio works at three bands altogether: D, E, and F, each band with 45 channels. Frequency range: 26.515-27.855MHz.

### How to enter spread function

Simultaneously press and hold "-5"+"CH9"keys, and switch on the power,"45" indicator light lights then radio gets into spread mode. Press and hold "-5" keys for more than 2 seconds, "45" indicator light dies then radio return to conventional mode. Repeatedly operate to switch radio work between conventional mode and spread mode.

**Note: When the radio works in spread mode, key functions and operations subject to the statement as follows, the ones not mentioned here keep same functions and operating characters in conventional mode.**

### Keybutton function and operation manual



#### ① RU/EU switching key "-5"

Repeatedly press "-5"key less than 2 seconds, the radio receiving/transmitting frequency can be switched in RU/EU system. "-5"indicator lights, the radio is in RU(Russia) system. The frequency range is 26.510-27.850MHz; "+5" indicator lights, the radio is in EU (Europe)system. The frequency range is 26.515-27.855.

#### ② Band switching key "NB"

Repeatedly press the key, the radio will switch among D-E-F. The band indicator will light corresponding .To communicate, press "NB" key to select the desired band and then turn "UP" and "DN" key knob to select the final desired channel. Frequency ranges on each band are shown on technical specification.

#### ③ "45" indicator lights,radio works in spread mode

#### ④ Working Band Indicator

"D" indicator lights, radio works in D band

"E" indicator lights, radio works in E band

"F" indicator lights, radio works in F band

**Note: The working mode of the radio normally turned on subjects to the state that the radio is turned off last time.**

## RESTORATION OPERATION

Simultaneously press and hold "CH9+CH19", and switch on the power, release until all of the indicators on the housing light, the radio gets into conventional mode. After restoration, all the data stored in conventional mode and spread mode will restore as the data setting when out of factory.