

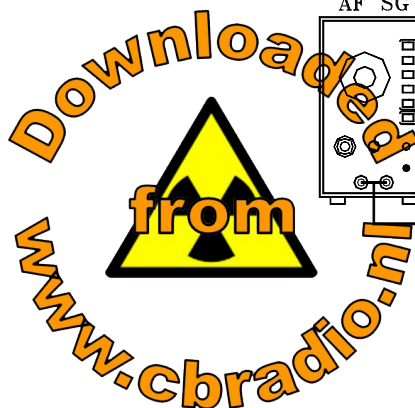
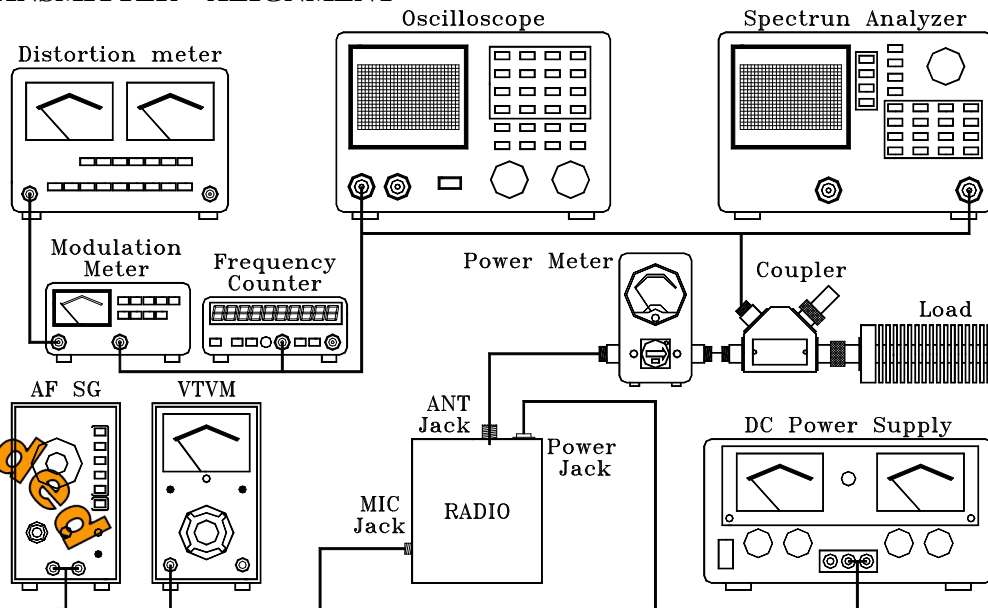
1.0 TEST EQUIPMENT

- | | |
|--------------------------------|---------------------------------|
| 1. Oscilloscope (50MHz) | 6. Frequency Counter (100MHz) |
| 2. DC Power Supply (13.8V,10A) | 7. MultiMate (digital) |
| 3. Deviation Meter | 8. Distortion Meter |
| 4. Audio Signal Generator | 9. Spectrum Analyzer |
| 5. RF Signal Generator(100MHz) | 10. RF Power Meter (100MHz,25W) |

1.1 PLL SYNTHESIZER / OSCILLATOR FREQUENCY ALIGNMENT

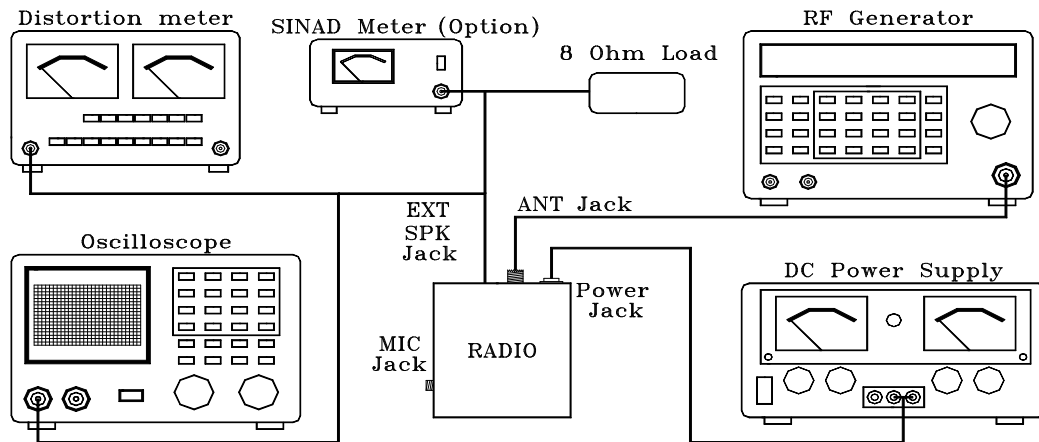
ITEM	CONNECTS & SETTING	ADJUST	MEASUREMENT
VCO	Set radio to CH 1 AM RX mode.	L9	1 VDC±0.1
VOLTAGE	connect volt meter to R75		
	Connect Oscilloscope to JP45	L15	
	Set radio to CH 19 AM RX mode.	VC1	10.24000MHz ± 20Hz
	Connect Frequency counter		
AM FREQ	Set Radio to CH 19 AM RX mode		16.49000MHz ± 20Hz
	Connect Frequency counter to L8		

1.2 TRANSMITTER ALIGNMENT



ITEM	CONNECTS & SETTING	ADJUST	MEASUREMENT
TX POWER	Set Radio CH 19 AM TX mode Connect RF power meter to ANT Jack	L10,11,12,	Spurious Emission
AM TX POWER	Set radio to CH 40. AM TX mode Set radio to CH 1. AM TX mode Set radio to CH 19. AM TX mode NO MOD	L17	3.8W 0.3W±0.2W
AM MODULATION	Set radio to CH 19. AM TX mode Audio signal 30mV, 1KHz to MIC	VR4	90% Meter 90%
TX S/R/METER	Set Radio to CH19 AM TX mode Meter switch to S/R/F position..	VR2	Meter needle to the top
SWR	MIC Gain at minimum position	VR5	in green RF

1.3 RECEIVER ALIGNMENT



ITEM	CONNECTS & SETTING	ADJUST	MEASUREMENT
AM SENSITIVITY	Set Radio to CH 19 AM RX mode RF gain fully clockwise, SQ at MIN, VOL control at 20'clock. Connect RF SG to ANT jack Frequency 27.185MHz MOD 30% 0.5uV.connect distortion meter Set radio to CH40, AM mode RF SG setting 27.405MHz Set radio to CH1, AM mode RF SG setting 26.965MHz	L1,2,3,4,5	Audio output >2V S/N 10dB
NB ADJUST	Set Radio to CH19 AM mode RF SG setting 27.205MHz MOD 30%, 100uV, NB/ANL switch		
AM SQUELCH	Set Radio to CH19 AM mode SQ control at fully Clockwise. RF SG setting	VR3	Adjust very slowly Slowly until squelch just open.
AM S/RF METER	Set Radio to CH19 AM mode Meter switch at S/RF position. RF SG setting 27.185Mhz MOD	VR1	Meter needle to S9 on the S scale.

頻率表

1	26.965
2	26.975
3	26.985
4	27.005
5	27.015
6	27.025
7	27.035
8	27.055
9	27.065
10	27.075
11	27.085
12	27.105
13	27.115
14	27.125
15	27.135
16	27.155
17	27.165
18	27.175
19	27.185
20	27.205
21	27.215
22	27.225
23	27.255
24	27.235
25	27.245
26	27.265
27	27.275
28	27.285
29	27.295
30	27.305
31	27.315
32	27.325
33	27.335
34	27.345
35	27.355
36	27.365
37	27.375
38	27.385
39	27.395
40	27.405