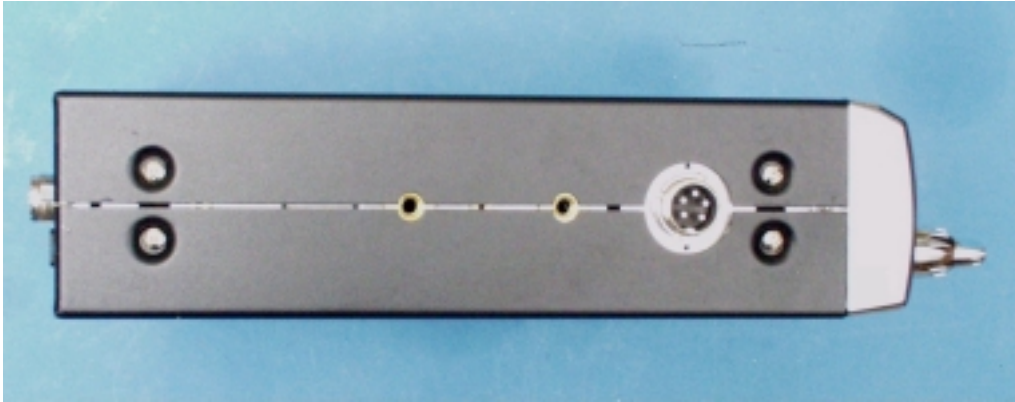


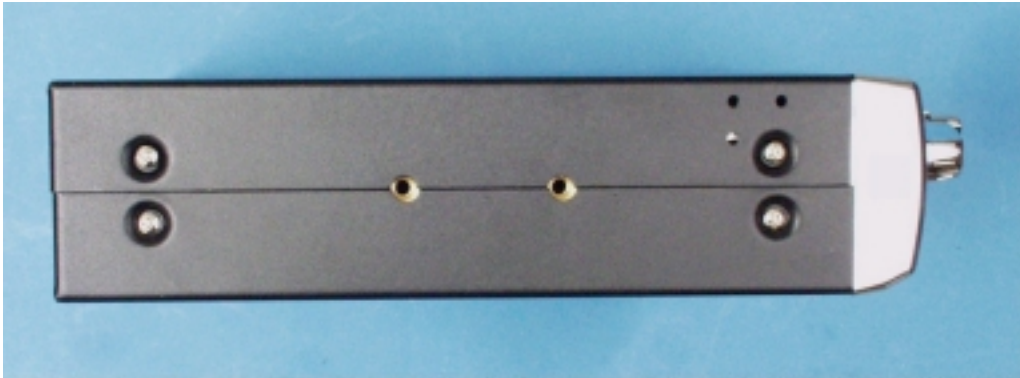
RANGER TR-286GX EXTERNAL PHOTOGRAPHS



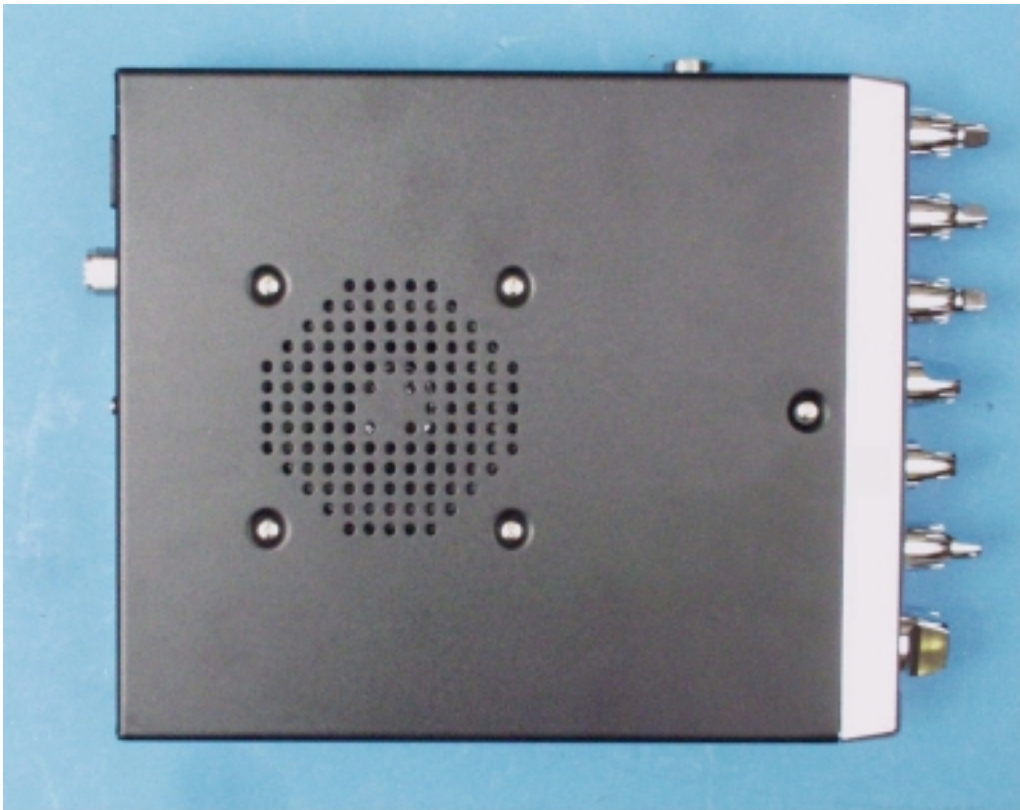
RIGHT SIDE VIEW



TOP VIEW



LEFT SIDE VIEW

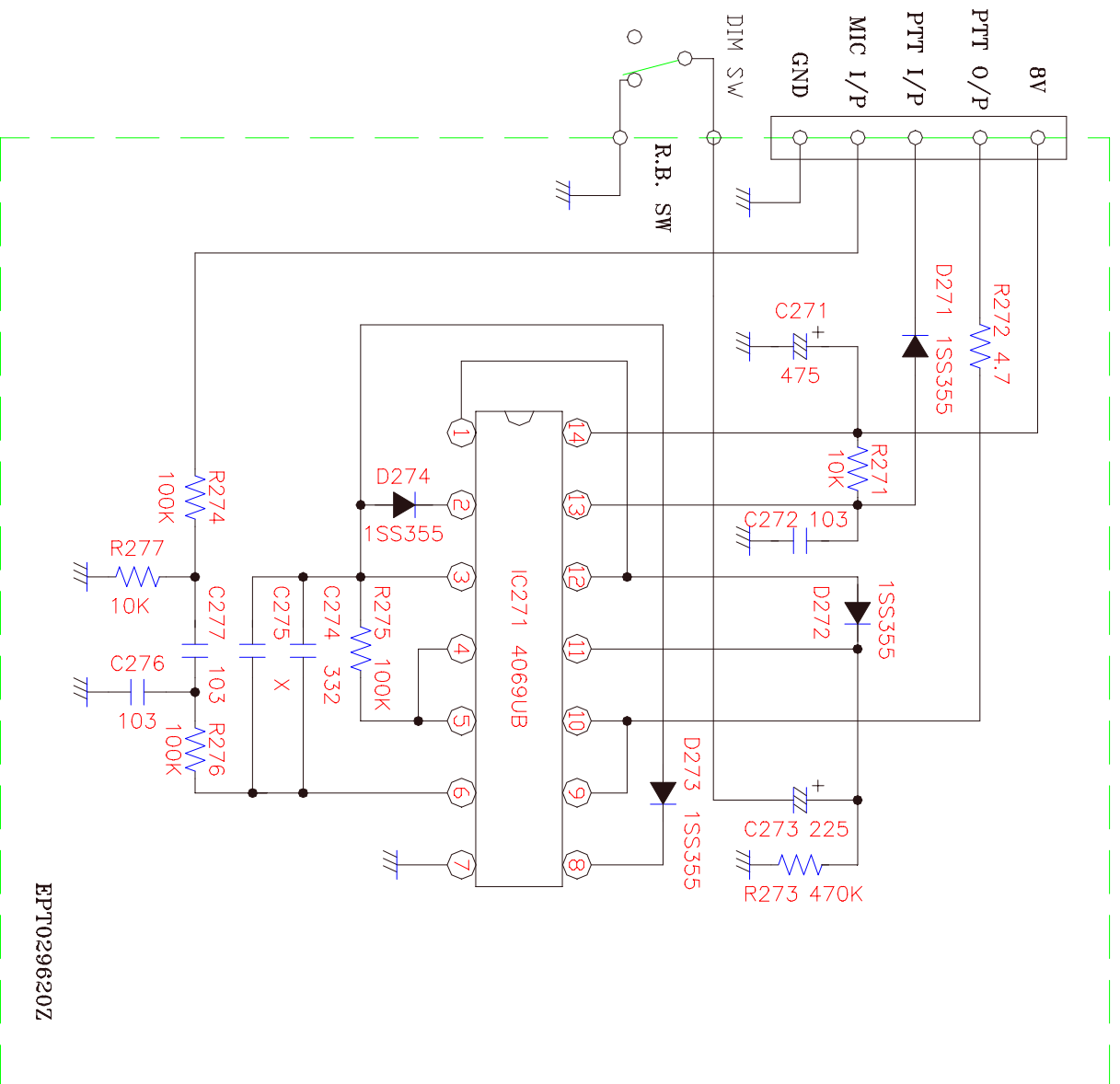


BOTTOM VIEW

FRONT VIEW



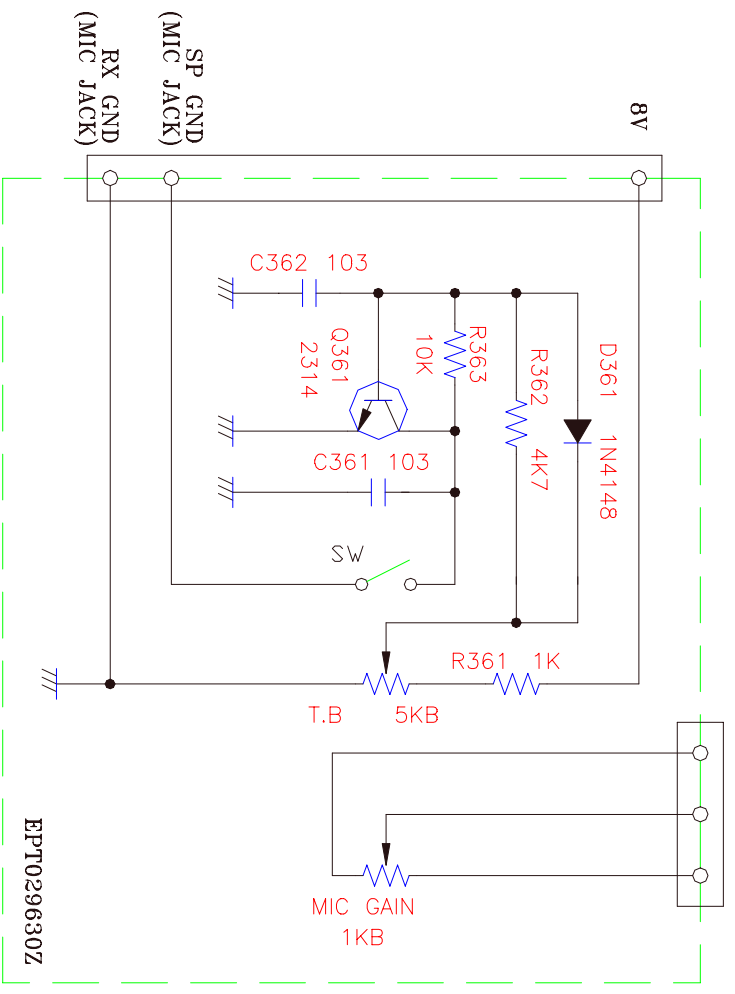
BACK VIEW



EPT029630Z

R277
C277
D274

		RANGER ELECTRONIC COMMUNICATIONS, INC.	
		MODEL TR-286(R.B)	
		TITLE SCHEMATIC DIAGRAM	
		DRAWER SEP/16/1999 Z.M.LU	
		ITEM NO.	
APPROVED	CHECKED		



EPPT029630Z

RANGER		ELECTRONIC COMMUNICATIONS, INC.	
MODEL	TR-286(T.B/MIC.G)		
TITLE	SCHEMATIC DIAGRAM		
DRAWER	SEP/16/1999 Z.M.LU		
APPROVED	CHECKED	ITEM No.	